

# Assembly Instructions LADDER BOOKSHELF42894100

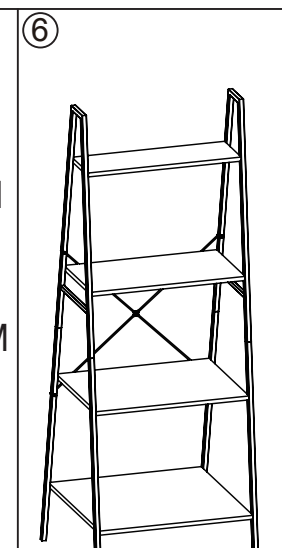
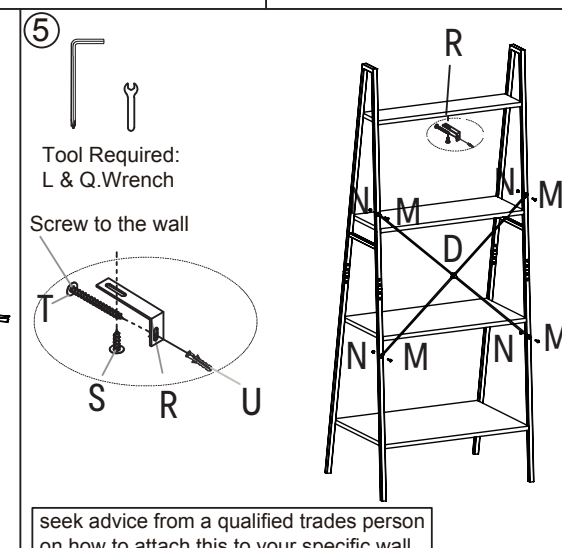
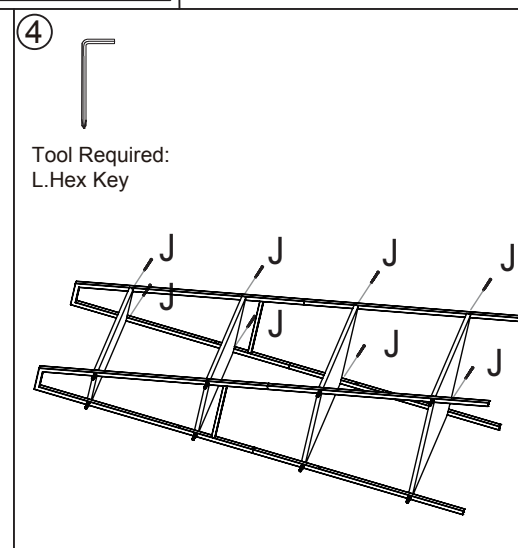
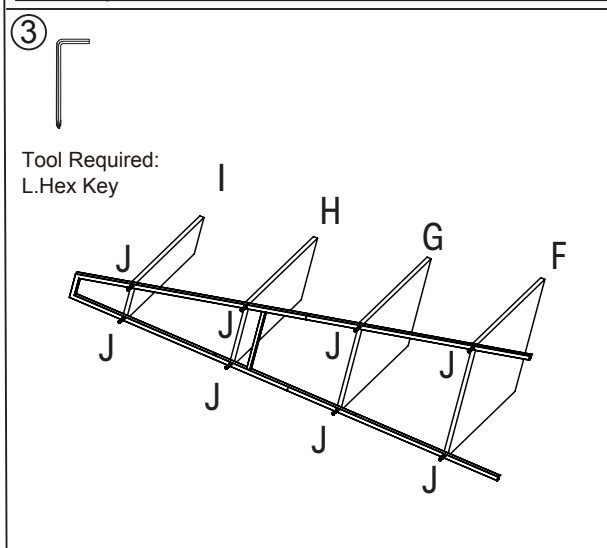
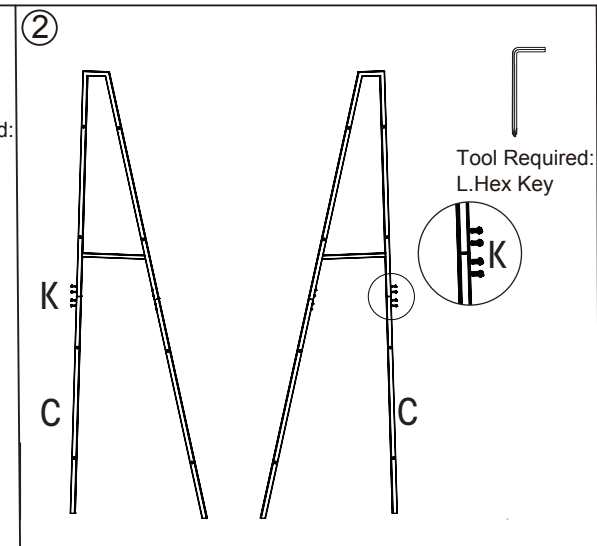
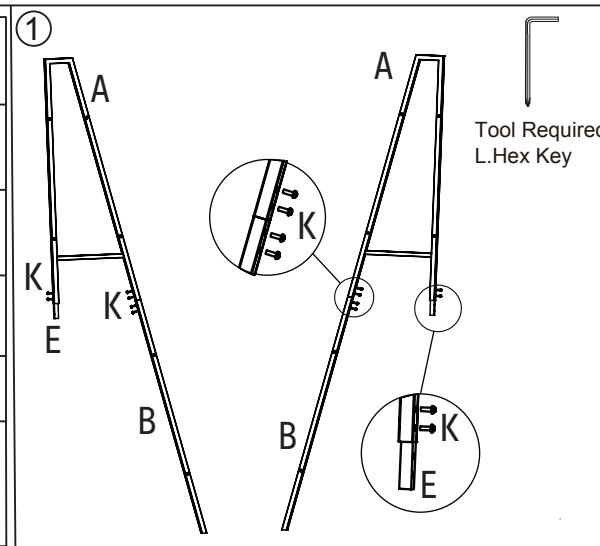
## CARE INSTRUCTIONS:

WIPE CLEAN WITH A DAMP OR DRY CLOTH. CHECK AND TIGHTEN ALL PARTS REGULARLY. DO NOT USE ABRASIVE MATERIALS AND SOLVENTS. KEEP AWAY FROM WATER AND DIRECT SUNLIGHT. PLACE ON AN EVEN SURFACE. STORE IN A DRY PLACE. FOR INDOOR AND DOMESTIC USE.

## WARNING:

DO NOT STAND OR SIT ON THIS ITEM. DO NOT USE UNTIL ALL SCREWS ARE FIRMLY SECURED. USE ONLY ON A FLAT SURFACE. THIS PACKAGE CONTAINS SMALL PARTS AND SHARP POINTS. KEEP AWAY FROM CHILDREN AND BABIES. ADULT ASSEMBLY REQUIRED. FAILURE TO FOLLOW THESE WARNINGS COULD IN SERIOUS INJURY. MAXIMUM SAFE LOAD: 5KG PER SHELF.

	A. Metal Frame	2pcs		H. Board 568x244x15mm	1pcs		Q. Wrench	1pcs
	B. Metal Frame	2pcs		I. Board 568x144x15mm	1pcs		R. Wall Anchor	1pcs
	C. Metal Frame	2pcs		J. Screw M7x48mm	16pcs		S. Screw M4x12mm	1pcs
	D. Metal X Wire	1pcs		K. Screw M4x12mm	16pcs		T. Tapping Screw M4x35mm	1pcs
	E. Metal joint	4pcs		L. Hex Key	1pcs		U. Wall Plug	1pcs
	F. Board 568x444x15mm	1pcs		M. Screw M4x22mm	4pcs	ATTENTION: DO NOT TIGHTEN THE SCREWS FULLY DURING ASSEMBLY. FULLY TIGHTEN SCREWS AFTER THE FINAL ASSEMBLY STEP.		
	G. Board 568x344x15mm	1pcs		N. Screw Nut M4mm	4pcs			



Attach the screws slightly. Fasten all screws tight after lifting the shelf up straight and make sure the two side frames stand evenly on a flat floor.

seek advice from a qualified trades person on how to attach this to your specific wall.  
Part D should be on the opposite side (straight side, not diagonal side)

- It is strongly recommended that this product is permanently fixed to the wall.
- Please seek professional advice if you are in doubt of what fixing device to use.
- Regularly check that anchors are securely maintained.
- Stability of tall items may be affected by thick pile carpet or uneven floors.
- Do not place unanchored televisions on furniture.

Caution! When attaching the anchor fixings, check for any electrical wires or plumbing behind the wall before drilling any holes (if you are unsure please seek professional advice from a qualified tradesperson).