

Assembly Instructions

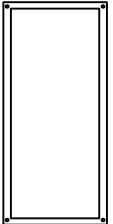

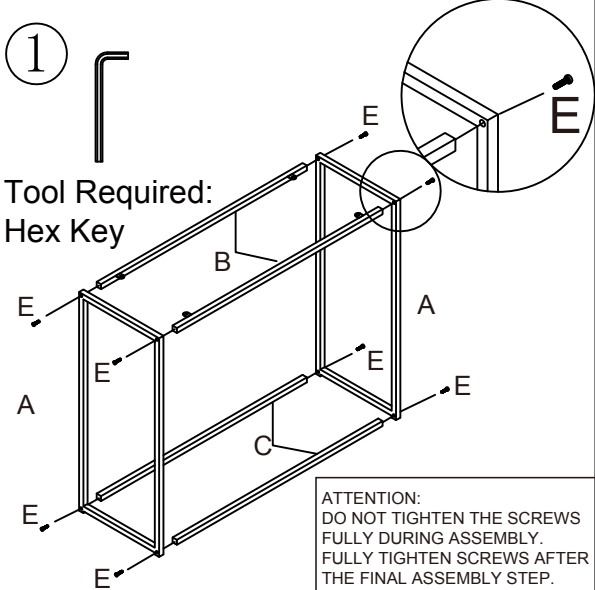

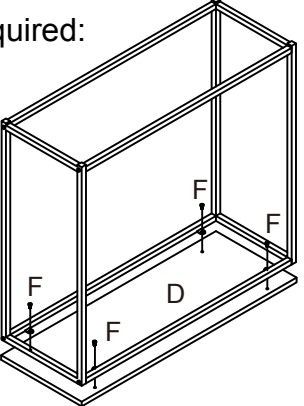

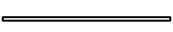
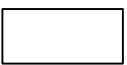

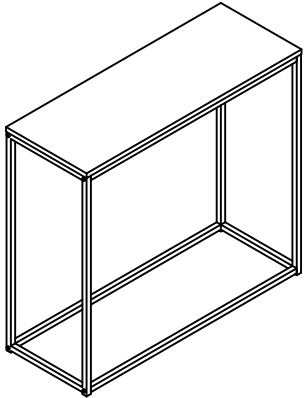


42894155 HALLWAY TABLE

CARE INSTRUCTIONS:

WIPE CLEAN WITH A DAMP OR DRY CLOTH. DO NOT USE ABRASIVE MATERIALS AND SOLVENTS. CHECK AND TIGHTEN ALL PARTS REGULARLY. KEEP AWAY FROM WATER AND DIRECT SUNLIGHT. STORE IN A DRY PLACE. FOR INDOOR AND DOMESTIC USE.

WARNING:

DO NOT SIT OR STAND ON THIS TABLE. DO NOT DRAG OR KNOCK THE TABLE. DO NOT USE THIS TABLE UNLESS ALL BOLTS AND SCREWS ARE FIRMLY SECURED. THIS PACKAGE CONTAINS SMALL PARTS AND SHARP POINTS. KEEP AWAY FROM CHILDREN AND BABIES. ADULT ASSEMBLY REQUIRED. USE ONLY ON A FLAT SURFACE. FAILURE TO FOLLOW THESE WARNINGS COULD IN SERIOUS INJURY. **MAXIMUM SAFE LOAD: 25KG.**

	A.Metal frame	2pcs	<p>① </p> <p>Tool Required: Hex Key</p>  <p>ATTENTION: DO NOT TIGHTEN THE SCREWS FULLY DURING ASSEMBLY. FULLY TIGHTEN SCREWS AFTER THE FINAL ASSEMBLY STEP.</p>	<p>② </p> <p>Tool Required: Hex Key</p> 
	B.Supporting Tube	2pcs		
	C.Supporting Tube	2pcs		
	D.Tabletop 800x298x15mm	1pcs		
	E.Screw M8x35mm	8pcs	<p>③ </p> <p>Note: For better stability, tighten all the screws at the end.</p>	
	F.Screw M6x12mm	4pcs		
	G.Hex Key	2pcs		