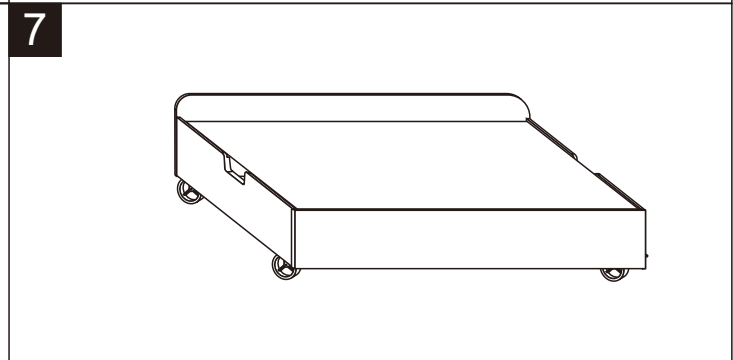
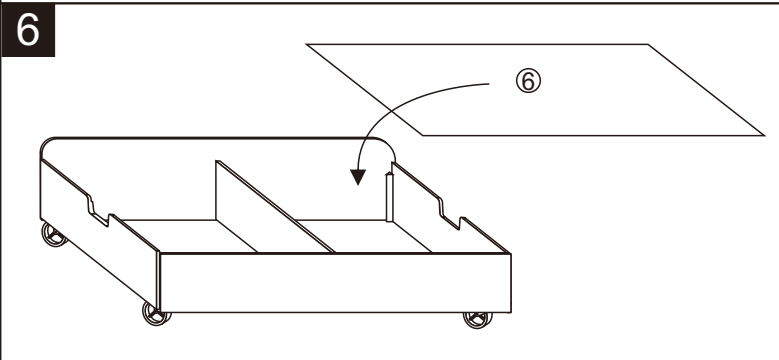
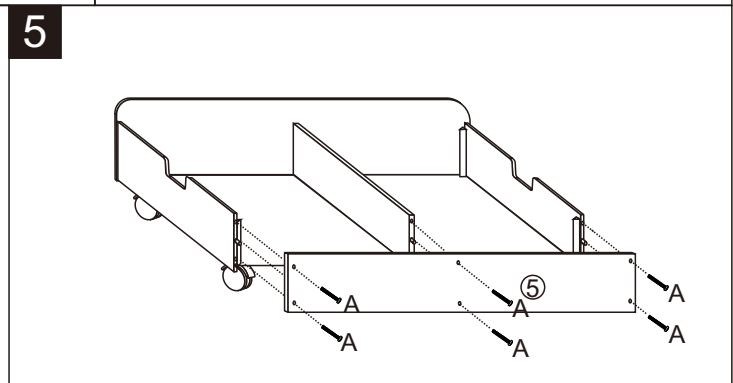
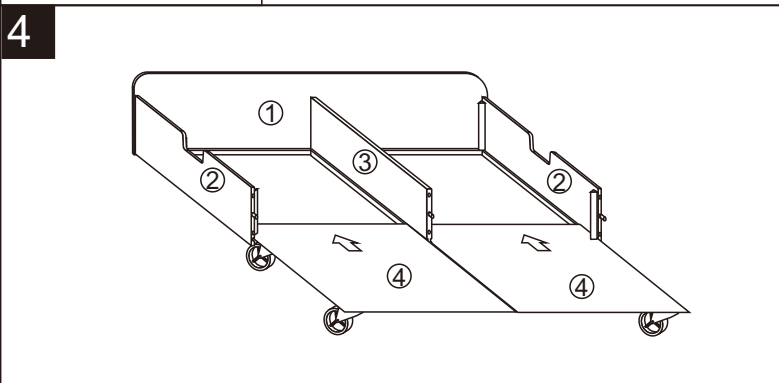
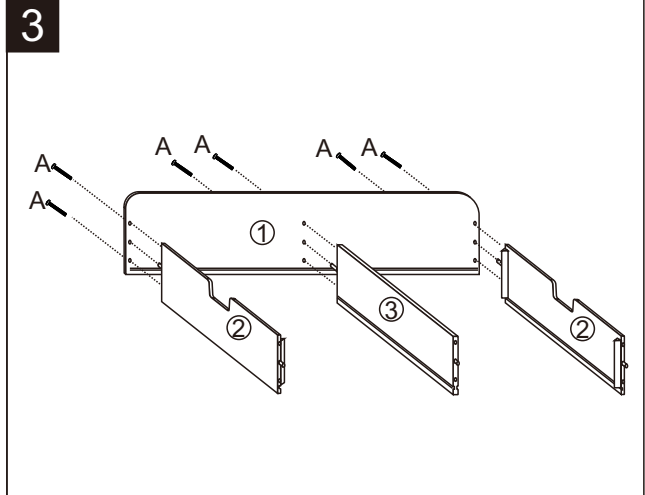
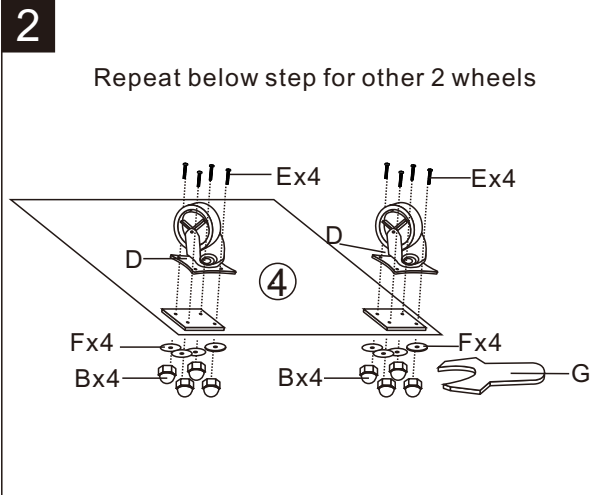
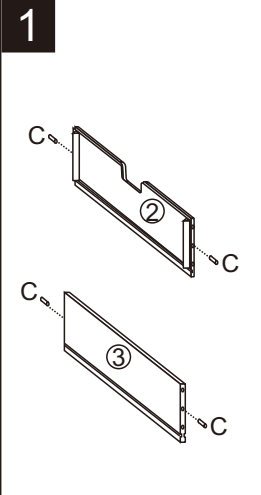
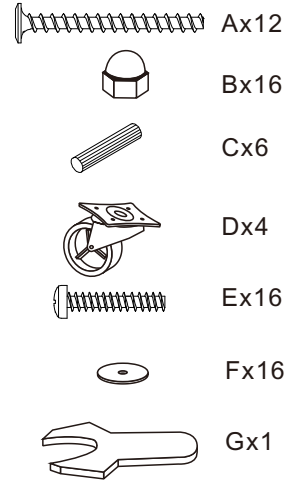
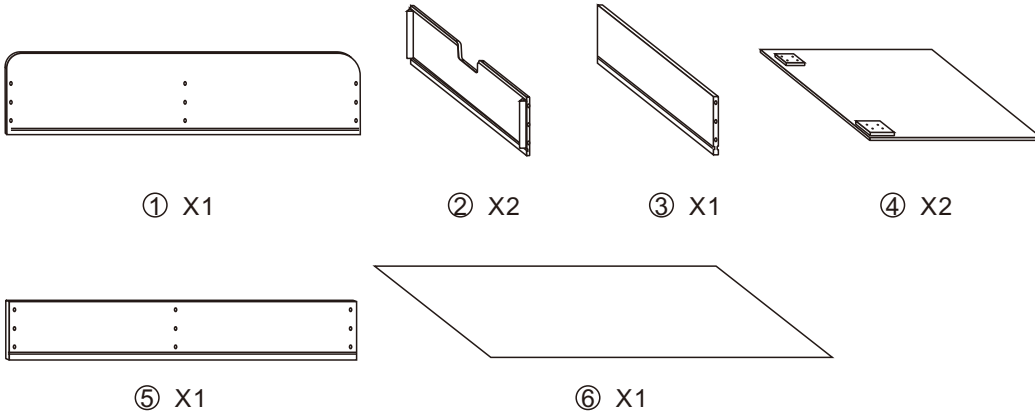


Assembly Instructions



CAUTION:

ADULT ASSEMBLY IS REQUIRED. HARDWARE CONTAINS SCREWS WITH WITH FUNCTIONAL SHARP POINTS. KEEP UNASSEMBLED PARTS OUT OF THE REACH OF SMALL CHILDREN. ADULT SUPERVISION IS RECOMMENDED.

WARNING:

CHOKING HAZARD—SMALL PARTS. NOT SUITABLE FOR CHILDREN UNDER 3 YEARS.