

Assembly Instructions

CARE INSTRUCTION:








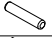



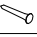
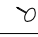


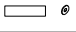
WIPE CLEAN WITH A DRY CLOTH. DO NOT USE ABRASIVE MATERIALS AND SOLVENTS. KEEP AWAY FROM WATER AND DIRECT SUNLIGHT. DO NOT PLACE HOT ITEMS SUCH AS COFFEE CUPS DIRECTLY ON THE SHELF. STORE IN A DRY PLACE. FOR INDOOR AND DOMESTIC USE ONLY.

WARNING:

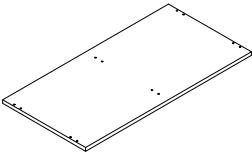
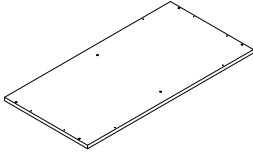
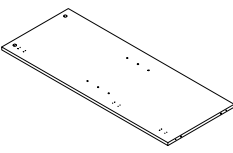
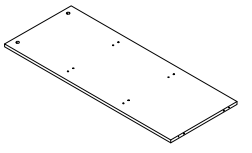
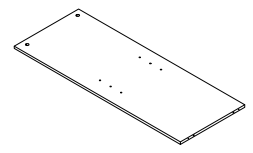
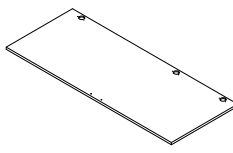
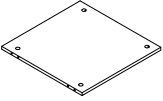
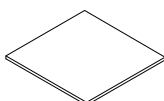
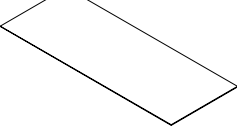
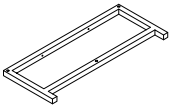
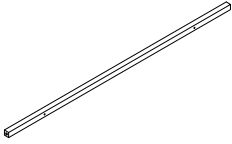
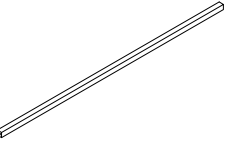
DO NOT STAND OR SIT ON THIS ITEM. DO NOT USE UNTIL ALL SCREWS ARE FIRMLY SECURED. THIS PACKAGE CONTAINS SMALL PARTS AND SHARP POINT. KEEP AWAY FROM CHILDREN AND BABIES. USE ONLY ON A FLAT SURFACE. ADULT ASSEMBLY REQUIRED. FAILURE TO FOLLOW THESE WARNINGS COULD RESULT IN SERIOUS INJURY. **MAXIMUM SAFE LOAD: 15KGS FOR TOP PANEL, 5KGS FOR EACH SHELF.**

1

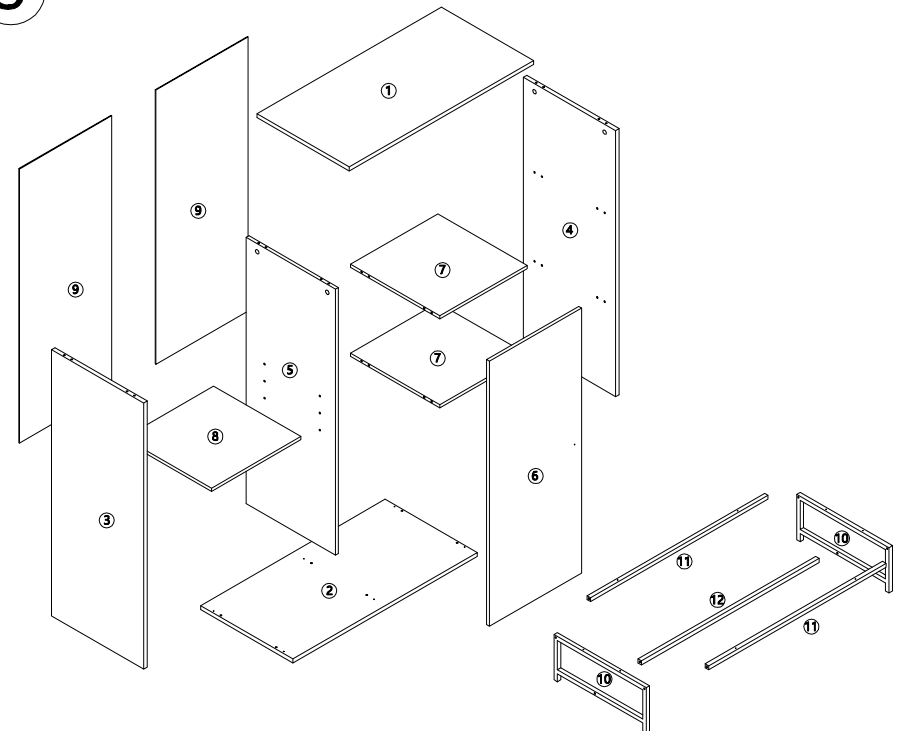
Hardware List

	a	6x35mm	14pcs		f		3pcs		k		1pc		p	4x35mm	2pcs
	b	15x9.5mm	14pcs		g	4x12mm	18pcs		l	4x35mm	6pcs	<p>ATTENTION: DO NOT TIGHTEN THE SCREWS FULLY DURING ASSEMBLY. FULLY TIGHTEN SCREWS AFTER THE FINAL ASSEMBLY STEP.</p>			
	c	6x30mm	20pcs		h		4pcs		m	5x25mm	8pcs				
	d		1pc		i	2x16mm	18pcs		n		3pcs				
	e	4x12mm	2pcs		j	6x25mm	6pcs		o	4x12mm	2pcs				

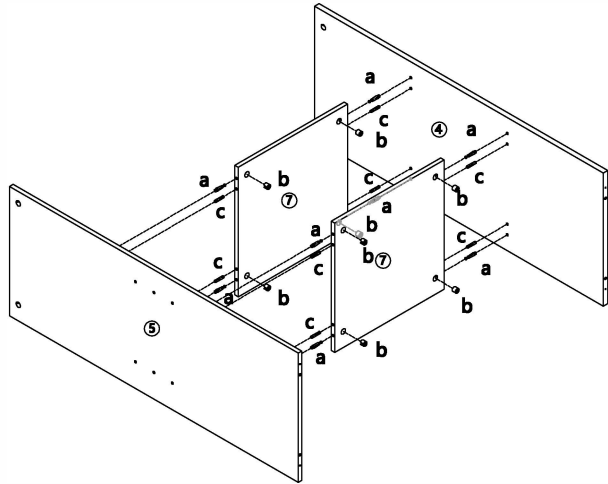
2

	1	1PC		2	1PC		3	1PC
	4	1PC		5	1PC		6	1PC
	7	2PCS		8	1PC		9	2PCS
	10	2PCS		11	2PCS		12	1PC

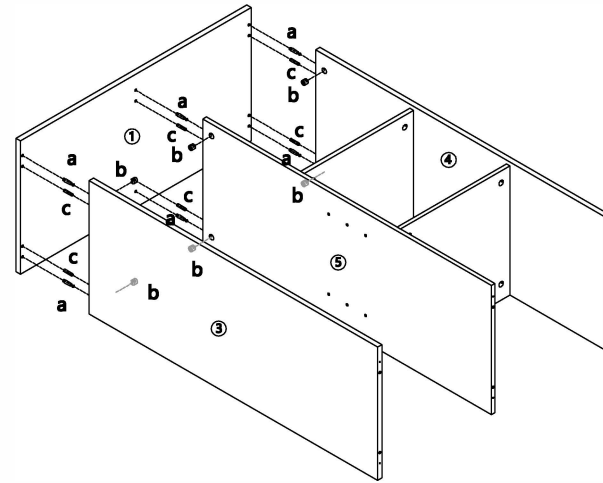
3



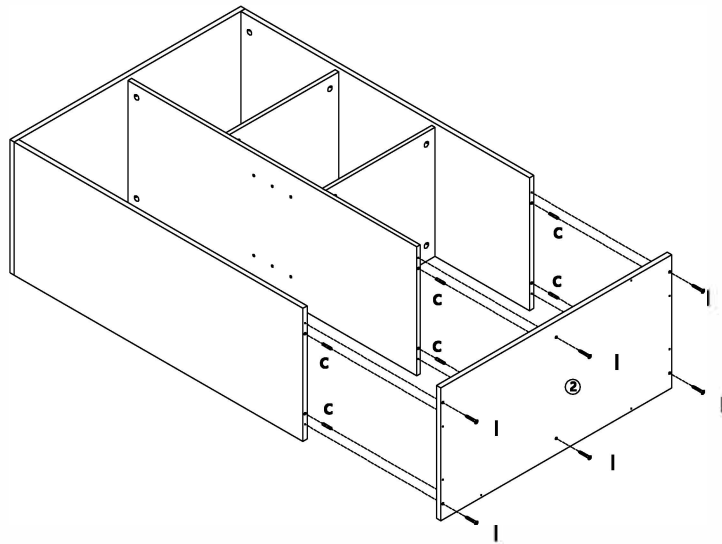
Step 1:



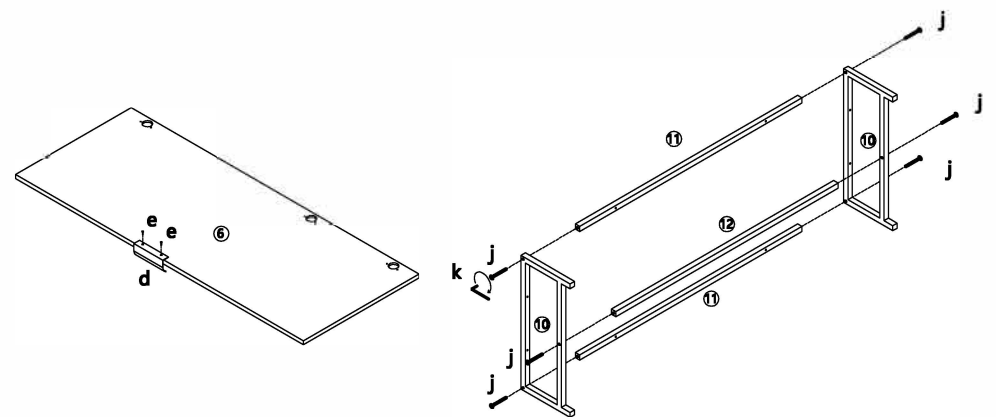
Step 2:



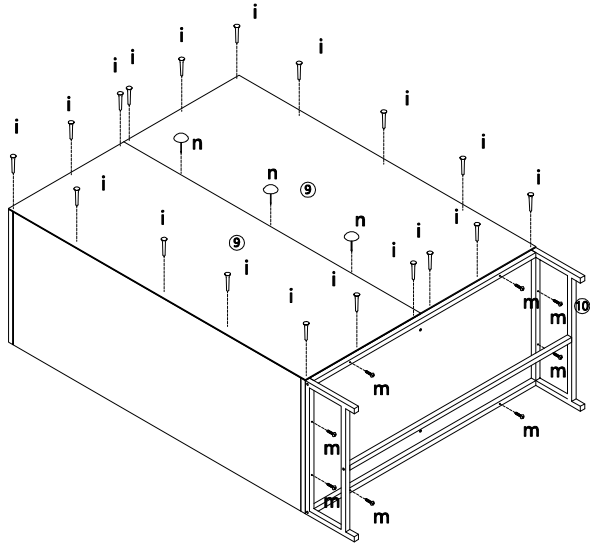
Step 3:



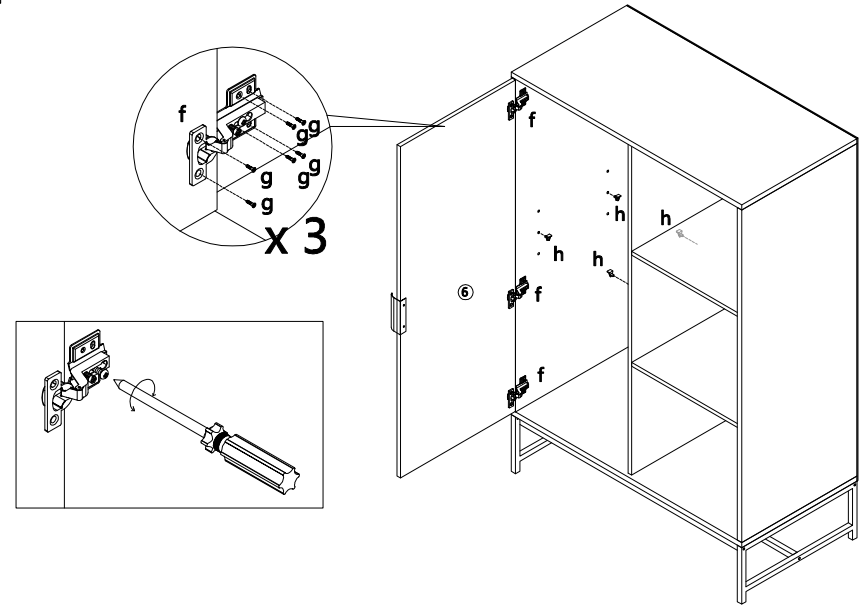
Step 4:



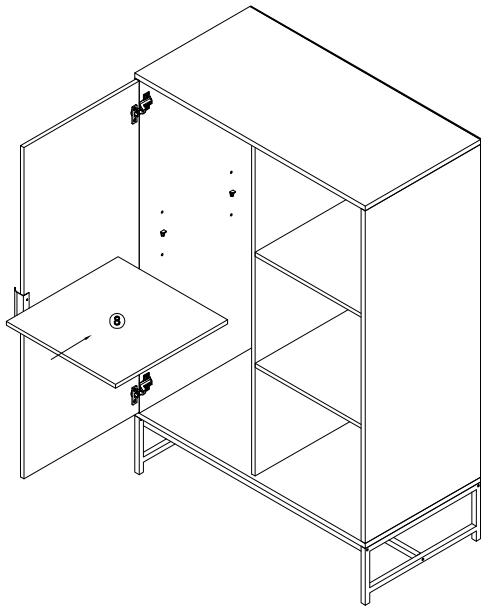
Step 5:



Step 6:



Step 7:



Step 8:

TOPPLING FURNITURE WARNING:

- › It is strongly recommended that this product is permanently fixed to the wall.
- › Please seek professional advice if you are in doubt of what fixing device to use.
- › Regularly check that anchors are securely maintained.
- › Stability of tall items may be affected by thick pile carpet or uneven floors.
- › Do not place unanchored televisions on furniture.

Caution: for your safety when attaching the anchor fixings, please note the following:

- › Check any electrical wires or plumbing inside the wall before drilling any holes (if you are unsure please seek professional advice from a qualified tradesperson)

