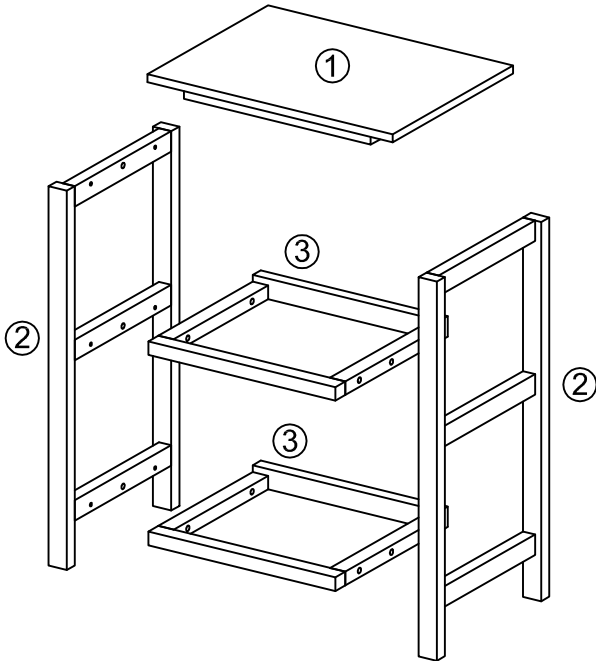


ASSEMBLY INSTRUCTIONS

Please read instructions carefully. Remove all wrapping material, staples and packing straps from the carton. See Parts List and Hardware List for guidance. Be sure you have all parts before you start assembling. Place all wooden furniture parts on a clean and flat soft surface, such as carpet or a rug to prevent from being scratched.

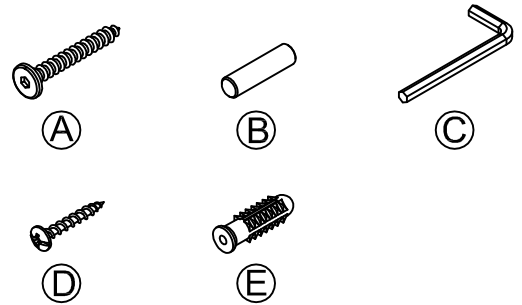
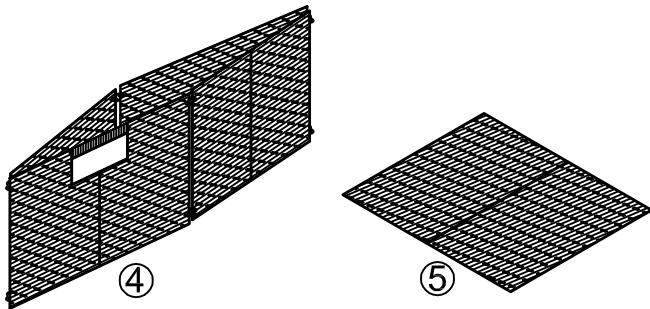


PARTS LIST

1. Top frame	: 1pc
2. Side frame	: 2pcs
3. Shelf frame	: 2pcs
4. Drawer frame	: 2pcs
5. Drawer bottom	: 2pcs

HARDWARE LIST

A. Bolt	: 12pcs
B. Dowel	: 6pcs
C. Allen key	: 1pc
D. Screw	: 1pc
E. Rawl plug	: 1pc



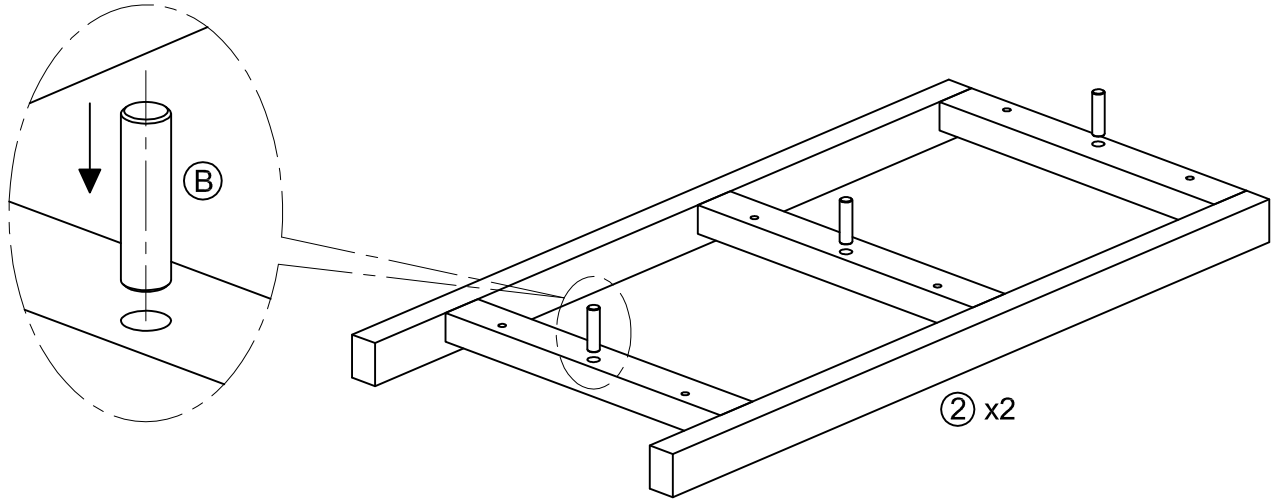
CARE INSTRUCTIONS: WIPE SHELF CLEAN WITH A DAMP OR DRY CLOTH. DO NOT USE ABRASIVE MATERIALS AND SOLVENTS. DO NOT PLACE HOT ITEMS SUCH AS COFFEE CUPS DIRECTLY ON THE SURFACE OF THIS FURNITURE ITEM. KEEP AWAY FROM WATER AND DIRECT SUNLIGHT. PLACE ON AN EVEN SURFACE FOR INDOOR AND DOMESTIC USE.

WARNING: DO NOT STAND OR SIT ON THIS ITEM. DO NOT USE THIS ITEM UNLESS ALL BOLTS AND SCREWS ARE FIRMLY SECURED. USE ONLY ON AN EVEN SURFACE. THIS PACKAGE CONTAINS SMALL PARTS AND SHARP POINTS. KEEP AWAY FROM CHILDREN AND BABIES. ADULT ASSEMBLY REQUIRED. A MILD ODOUR MAY BE PRESENT WHEN FIRST OPENING THIS CARTON SIMPLY ALLOW TO AIR OUTSIDE AND THIS WILL FADE.

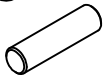
MAXIMUM SAFE LOAD: 15KG FOR TOP PANEL, 5KG FOR EACH DRAWER.

ASSEMBLY INSTRUCTIONS

STEP 1

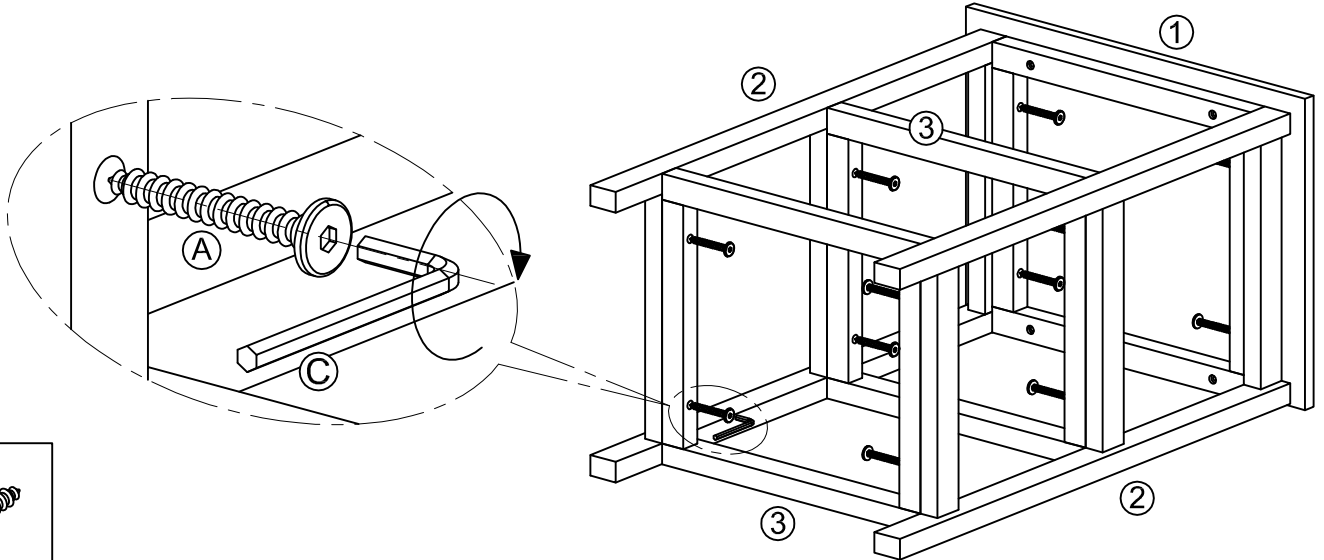


(B)

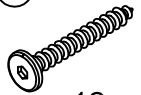


6pcs

STEP 2

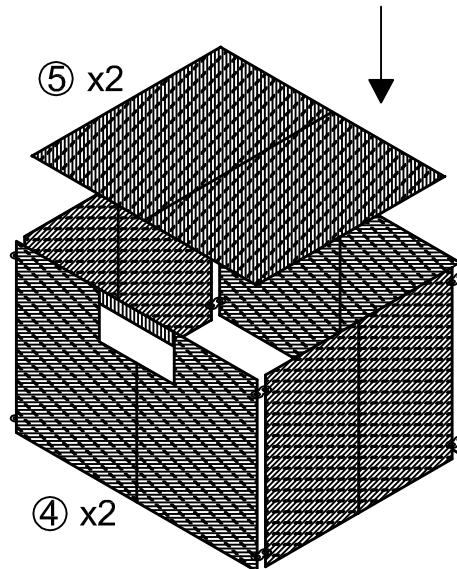


(A)



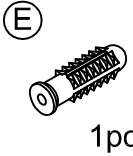
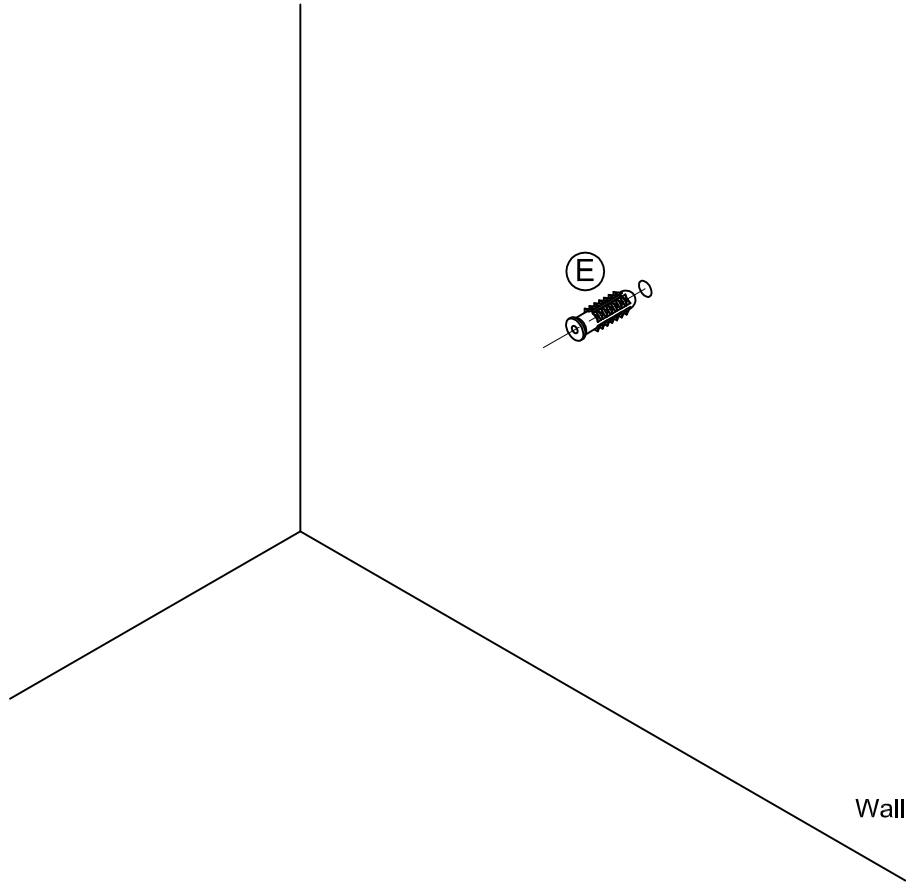
12pcs

STEP 3

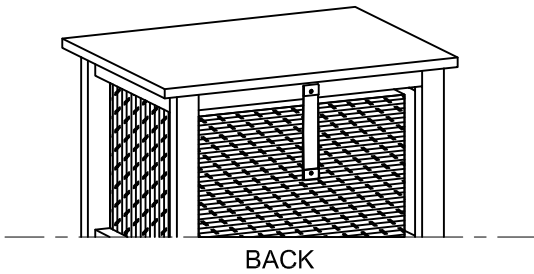


ASSEMBLY INSTRUCTIONS

STEP 4



STEP 5



- It is strongly recommended that this product is permanently fixed to the wall.
 - Please seek professional advice if you are in doubt of what fixing device to use.
 - Regularly check that anchors are securely maintained.
 - Stability of tall items may be affected by thick pile carpet or uneven floors.
 - Do not place unanchored televisions on furniture.
- Caution! When attaching the anchor fixings, check for any electrical wires or plumbing behind the wall before drilling any holes (if you are unsure please seek professional advice from a qualified tradesperson).

