

# **anko**

**Portable USB Blender**

**BL2006-SA**

**User Manual**



**PLEASE READ AND SAVE THESE  
INSTRUCTIONS FOR FUTURE REFERENCE**

## **IMPORTANT SAFEGUARDS**

1. Please read all instructions carefully before using this product.
2. When the product is in use do not remove main unit from the juice cup.
3. During use to avoid injury and/or damage to the product do not touch moving parts, such as blades and motor.
4. The juice cup can be opened after the blade has come to a complete stop.
5. For safety do not attempt to repair, disassemble or alter the product by oneself.
6. For food hygiene always clean the product immediately after use. Wash all parts that come in contact with food with clean warm water.

### **CAUTION! The blades are sharp handle with care when cleaning.**

7. After charging, when unplugging the plug, please grab by the plug when pulling it out. Do not pull from the wire.
8. Do not place appliance in or near flammable gases or electric stoves, or in hot ovens.
9. Do not immerse the main unit (electric motor) combination in water or other liquids to avoid the risk of fire, electric shock or personal injury.
10. This appliance is not intended for use by persons (including children) with reduced physical, sensory or mental capabilities, or lack of experience and knowledge, unless they have been given supervision or instructions concerning use of the appliance by a person responsible for their safety.
11. Children should be supervised to ensure that they do not play with the appliance.
12. In the absence of supervision, the cleaning and maintenance work should not be done by a child.

13. Use of accessories not recommended or supplied with the product may cause fire, electric shock or personal injury.
14. For electrical safety, any repairs to the product should be carried out by a qualified electrical person only or the product must be disposed.
15. This appliance must be always used in accordance with the user instructions supplied with the product and must not be used for other purposes.
16. Before using, please make sure that the main body is firmly fixed.
17. To avoid serious injury never attempt to shield the safety interlock on the lid.
18. Misuse may cause serious injury.
19. **WARNING: DO NOT BLEND HOT LIQUIDS.**
20. Switch OFF the appliance and disconnect from supply before changing accessories or approaching parts that move in use.
21. This appliance is intended to be used in household and similar applications such as:
  - staff kitchen areas in shops, offices and other working environments;
  - farmhouses;
  - by client in hotels, motels and other residential type environments;
  - bed and breakfast type environments
22. This appliance contains batteries that are non-replaceable.

## **PRECAUTIONS**

**WARNING: Be alert to the risks that may lead to danger, serious injury and damage to property.**

1. Do not immerse the main body (electric motor) on the appliance into the water or other liquid.

**2. WARNING: Do not put hot ingredients or liquid above 55 °C in the juice cup to avoid bursting, splashing and to prevent scalding.**

3. Do not blend ice cubes or frozen fruit only without adding some water or milk.

**IMPORTANT! The blender is not designed for crushing ice. Use one or two pieces of ice cubes (not larger than 2cm X 2cm size) only when blending.**

4. This product contains lithium-ion batteries. Therefore, do not attempt to dismantle the product. Fire risk exist if the batteries are damaged.

5. DO NOT squeeze, puncture, or short circuit the product or put it into water, fire or use in an environment where the temperature is higher than 60°C.

6. This product is for household use only and not designed for commercial use.

7. Do not operate the product without any food in the juice cup.

8. Stirring ingredients such as bananas that are prone to foam may cause the product to stall.

9. Do not expose the product to high temperatures, strong magnetic fields, near flammable and explosive gases (such as natural gas, methane, etc.) to avoid accidents such as abnormal operation and/or fire.

10. To avoid parts deformation or damage, do not put any parts of this product in a dishwasher, microwave oven or hot water above 60°C.

11. The product has a built-in lithium batteries. Pay attention to the following:

a) Only use and store the product in an environment where the temperature is between 0 to 40 °C;

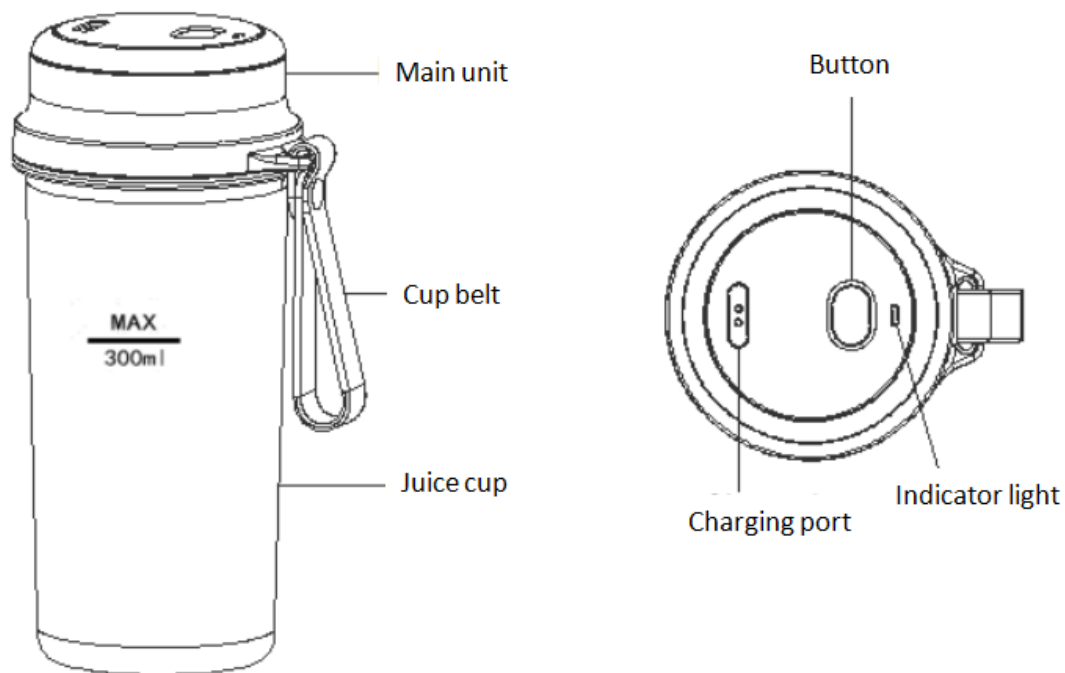
b) If not used for a long time, re-charge every three months to prevent battery damage.

c) Charging time may be longer when the room temperature is below 10 °C, which is a normal.

d) Charge the battery in time when the battery power goes low.

**WARNING: The maximum operating time is 40 seconds. Allow it to rest for at least 3 minutes before using it again. After 5 cycles of operation, allow the main unit (electric motor) to cool down to room temperature. Allow it to cool down for approx. 30 minutes before using it again.**

## PRODUCT INTRODUCTION



## **CHARGING MODE:**

- a. When the product is charging, the LED indicator light will light up in red.
- b. When fully charged, the LED indicator light will light up in white.

## **WORKING MODE:**

There is only one speed. The specific functions are as follows:

- ① Double-click the button switch. The indicator light will turn white, and the product runs at full speed. When the working voltage is lower than 7.2V, the indicator light will turn red and flash three times, and the machine will stop running. If the indicator light flashes during the operation, it means the battery is almost exhausted and require re-charging.
- ② If stalling occurs during the operation, the product will stop immediately, and the white indicator light will turn off.
- ③ During the working process, press the button switch once, and the blender will stop operating.
- ④ The red indicator light is always be ON during the charging process, and the white indicator light is displayed after the charging is completed and the blender is ready to use.

**WARNING: The maximum operating time is 40 seconds. Allow it to rest for at least 3 minutes before using it again. After 5 cycles of operation, allow the main unit (electric motor) to cool down to room temperature. Allow it to cool down for approx. 30 minutes before using it again.**

**IMPORTANT! THE USB BLENDER IS DESIGNED FOR BLENDING OF SOFT FRUIT AND VEGETABLES ONLY. IT IS NOT DESIGNED FOR CRUSHING ICE, THICK MIXTURES AND BLENDING OF HARD ITEMS SUCH AS NUTS, SEEDS etc.**

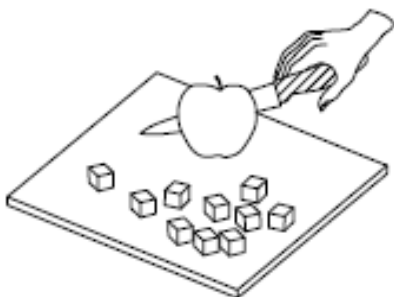
## **OPERATION INSTRUCTIONS**

### **BEFORE FIRST USE**

Before using this product for the first time, please use soap and warm water to clean the the juice cup and the blade on the main machine, and dry it thoroughly; the main unit should be wiped with a damp cloth and should not be soaked in water or other liquid.

Before using the product for the first time, please ensure that the battery is fully charged and thoroughly clean all parts that come into contact with food. This product has a double safety protection. **If the dot point on main unit is not assembled with the dot point on the juice cup properly or the juice cup is not installed, the product does not operate when the button switch is pressed.** The indicator light will turn white and flash. Only when the main unit and the juice cup are rotated and fixed in place, you can double-click the button switch to turn ON the blender, and the LED indicator light will turn white.

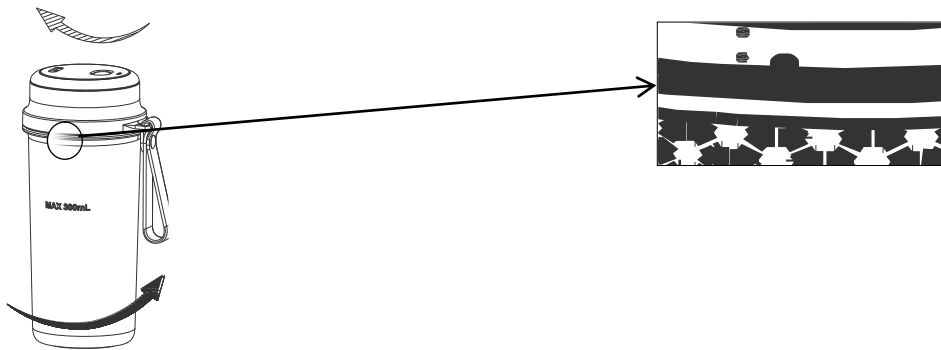
1. Wash, peel, core and cut the fruits (apples, pears, etc.) into small cubes of about 1cm \* 1cm \* 1cm.



2. Put the cut fruit into the juice cup, add water or milk and other liquids. The total amount of food and liquid should not exceed the maximum mark (300ml) on the cup.



3. The main unit is rotated and installed on the juice cup. The main unit and the juice cup should be tightened and installed correctly to ensure it does not leak.

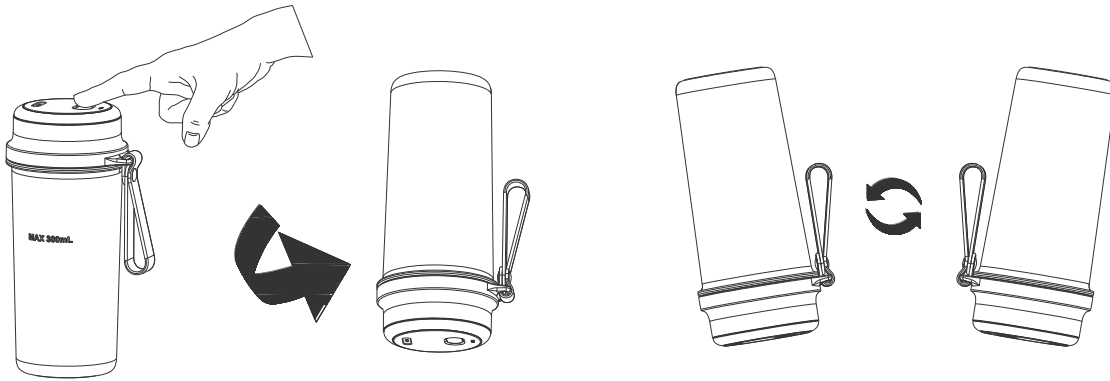


4. Double-click the button switch on the main unit, turn the blender upside down, put it on a tabletop or hold it in your hand, and the blender starts to operate. **The blender has a single operation time of 40 seconds.** When the blender is operating, it can be shaken from side to side to improve the blending process.

Note:1. During this process, if you press the button switch once, and the blender will stop working immediately.

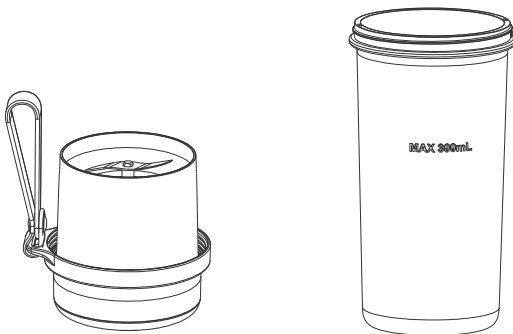
Note: 2. If the blade is stuck at startup, the product can be placed upright and then placed upside down after normal startup.



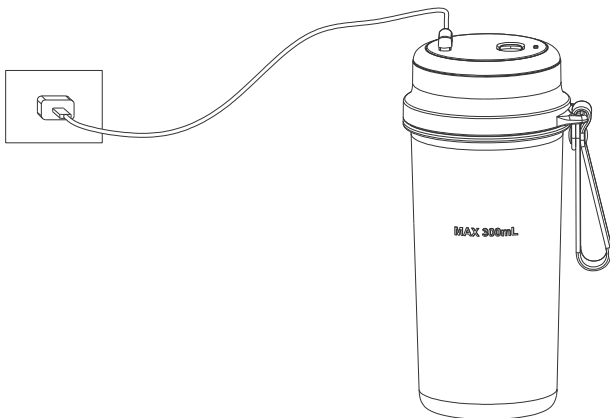


5. After mixing and making the juice, rotate and remove the juice cup from the main unit.

6. The juice cup can be used as a cup for drinking.



6. The supplied charging cable should be inserted into the standard USB power source rated at DC5V/1A specification, and the magnetic connector of the charging cable should be connected to the charging inlet on the main unit to charge the product. When charging, the indicator light is red, and after charging, the indicator will light up white. During charging, the product cannot be operated.



## **CLEANING METHOD**

1. Make sure the blade has come to a complete stop before cleaning.
2. Do not use a steel ball, abrasive cleaner or corrosive liquid (such as gasoline, acetone) to clean the product.
3. The main unit can be wiped with a wrung wet cloth; do not rinse, soak or spray water or other liquids to avoid damage to the device.
4. Rinse the inside of the juice cup and the parts in contact with food with clean water and wipe dry or airing it to dry out properly.

### **IMPORTANT! Blades are sharp handle with care when cleaning.**

5. When storing, ensure the product is clean and dry, and placed in a dry, ventilated area away from direct sunlight.
6. Fast Cleaning: Add appropriate amount of water to the juice cup and install it on the main unit. Double-click the button switch to start and operate for 5 to 10 seconds. Discard the water.

## TROUBLESHOOTING

Symptom	Possible cause	Solution
Product does not start	<ul style="list-style-type: none"> <li>● Is it used continuously for a long time?</li> <li>● Is the food stuck on the blade?</li> <li>● Is the main unit and the juice cup not rotated and aligned correctly?</li> <li>● The red indicator light flashes.</li> </ul>	<ul style="list-style-type: none"> <li>● Please wait for the motor to cool down before using.</li> <li>● Remove the remaining food and use it again.</li> <li>● Install the main unit and juice cup in place before starting.</li> <li>● Fully charge before use.</li> </ul>
When working, the blade is stuck and the white indicator light flashes	<ul style="list-style-type: none"> <li>● The fruit granules are too large and causing the blade to stall.</li> <li>● Fruits and liquids exceed the maximum capacity of the blender.</li> </ul>	<ul style="list-style-type: none"> <li>● Wash, peel, core and cut the fruits (apples, pears, etc.) were into small cubes of about 1cm*1cm*1cm. Don't let the blade touch the pulp first, then turn on and put it in position.</li> <li>● Reduce the liquid capacity not to exceed the rated capacity of the cup.</li> </ul>
Motor burning smell	<ul style="list-style-type: none"> <li>● Normal when new.</li> <li>● Exceeded continuous use time causing overheating.</li> </ul>	<ul style="list-style-type: none"> <li>● The high-powered motor is inside the main unit. Due to the friction of the carbon brush, an odor will occur, this is normal. Do not exceed the maximum continuous use time.</li> </ul>
Charging indicator light doesn't work. (red indicator light is not ON)	<ul style="list-style-type: none"> <li>● Bad connection on the USB power cable.</li> <li>● Due to incompatibility on the USB power source the actual output voltage and current do not meet the requirements.</li> </ul>	<ul style="list-style-type: none"> <li>● Check the connection status of USB power cable to ensure that the connection is normal.</li> <li>● Use a USB power source/adaptor rated at DC5V/1A and above.</li> </ul>

## **12 Month Warranty**

Thank you for your purchase from Kmart.

Kmart Australia Ltd warrants your new product to be free from defects in materials and workmanship for the period stated above, from the date of purchase, provided that the product is used in accordance with accompanying recommendations or instructions where provided. This warranty is in addition to your rights under the Australian Consumer Law.

Kmart will provide you with your choice of a refund, repair or exchange (where possible) for this product if it becomes defective within the warranty period. Kmart will bear the reasonable expense of claiming the warranty. This warranty will no longer apply where the defect is a result of alteration, accident, misuse, abuse or neglect.

Please retain your receipt as proof of purchase and contact our Customer Service Centre on 1800 124 125 (Australia) or 0800 945 995 (New Zealand) or alternatively, via Customer Help at [Kmart.com.au](http://Kmart.com.au) for any difficulties with your product. Warranty claims and claims for expense incurred in returning this product can be addressed to our Customer Service Centre at 690 Springvale Rd, Mulgrave Vic 3170.

Our goods come with guarantees that cannot be excluded under the Australian Consumer Law. You are entitled to a replacement or refund for a major failure and compensation for any other reasonably foreseeable loss or damage. You are also entitled to have the goods repaired or replaced if the goods fail to be of acceptable quality and the failure does not amount to a major failure.

For New Zealand customers, this warranty is in addition to statutory rights observed under New Zealand legislation.