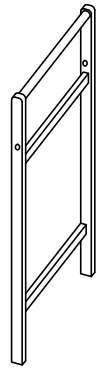


ASSEMBLY INSTRUCTION

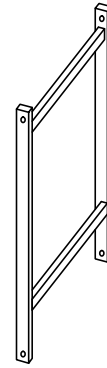
Care instruction: Wipe clean with a damp cloth. Do not use abrasive materials and solvents. For outdoor, indoor and domestic use.

Warning: Do not stand, sit or lean on the trolley. Ensure the trolley is used only on a flat surface. Do not use this trolley unless all bolt and screws are firmly secured. This package contains small parts, keep away from children and babies until assembly is completed. Adult assembly required.

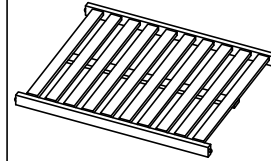
Maximum loading weight: 25kgs each tier



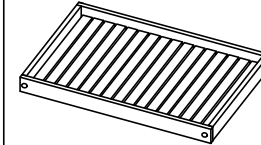
Ⓐ x 1



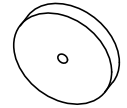
Ⓑ x 1



Ⓒ x 1

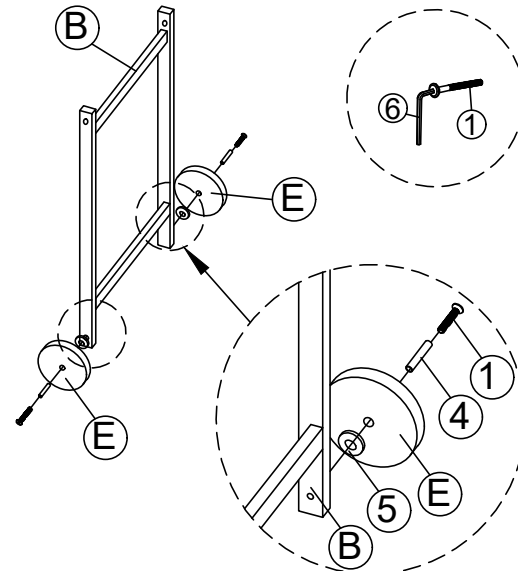


Ⓓ x 1

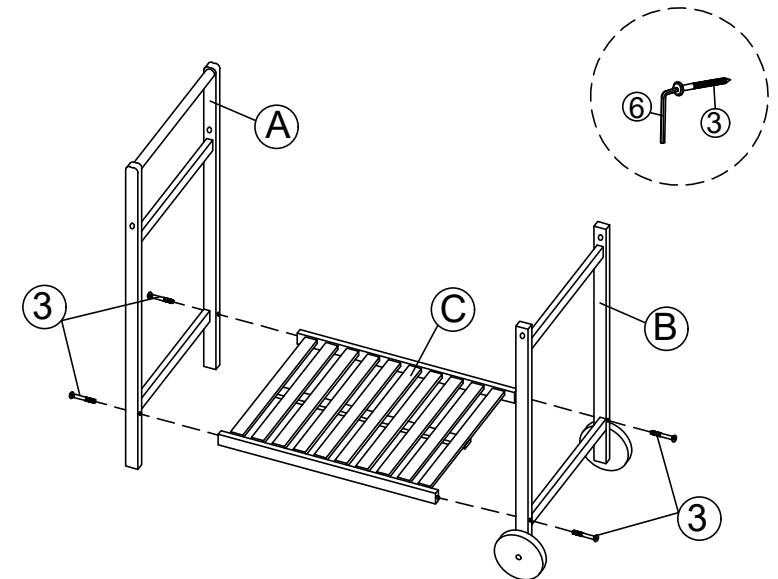


Ⓔ x 2

No	Hardware	Fig	Q.ty
①	Bolt M8x45 mm		2
②	Bolt M6x25 mm		4
③	Screw M6x60 mm		4
④	Tupe 9.5x21x1 mm		2
⑤	Washer M8x20mm (Iron)		2
⑥	Allen Key M4 x 80mm		1

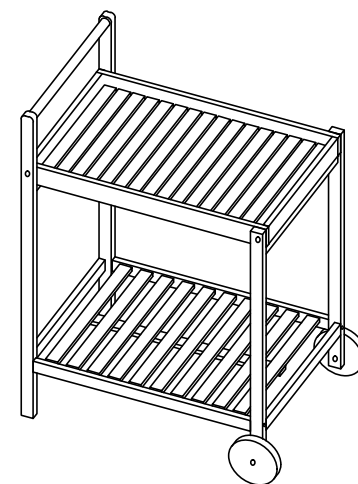
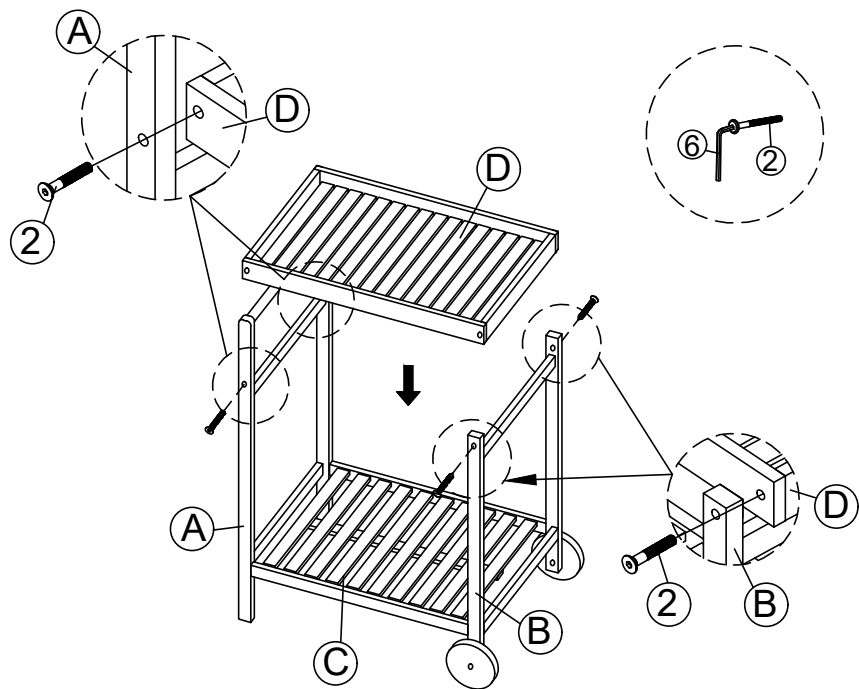


STEP 1



STEP 2

ASSEMBLY INSTRUCTION



STEP 3