

Operation

- Remove the lid from top of the tank.
- Fill the tank with tap water. (Don't add water to exceed the "MAX" line)
- Add 3-5 drops (ONLY) of essential oil into the water (if desired).
- Place the lid back on to the top of the water tank.
- Plug in and turn on the appliance.
- You can turn on/off button on the back of appliance to control LED on/off. You can rotate the knob in the front of appliance to control mist.

Note:

- Be sure that water Does not exceed the "MAX" line anytime.
- It is NOT recommended to use the mist output at a maximum level at first, as this might spray too much mist and a pool of water might form near the appliance. Please start with a medium setting and adjust later to the desired mist output.
- The humidifier has a safety system that switches the appliance off before it runs completely out of water, due to the water level float. When the water will be almost depleted, the red LED will light on. This safety feature is made to protect the nebulizer from being damaged due to lack of water.
- To resume operation, simply switch off, refill the water tank with fresh water and place the cap back on the main housing. Switch back on to start humidifiers function.

Cleaning and maintenance

Before any cleaning operation, switch the appliance off and unplug it.

- Always unplug the unit before cleaning.
- Remove the basket ring from water tank.
- Remove the basket from water tank by rotating the basket.
- Apart from the electrical controls and when the unit is off, any part of the humidifier may be wiped with a soft damp cloth and buffed with a dry cloth, ensuring the unit is unplugged.
- There may be some mineral deposits in the nebulizer, particularly if the water in your area is hard. This deposit will influence the humidification process and decrease performance gradually. Please clean the nebulizer with water and vinegar on a soft cloth regularly at least twice a week as follows:
 1. Dampen a cloth with vinegar and wipe the nebulizer gently, until the mineral deposit disappears.
 2. Rub down with a dry cloth and remove remains of humidity.
 3. Do NOT rub the nebulizer with hard or abrasive objects
 4. Do NOT clean with chemical products.

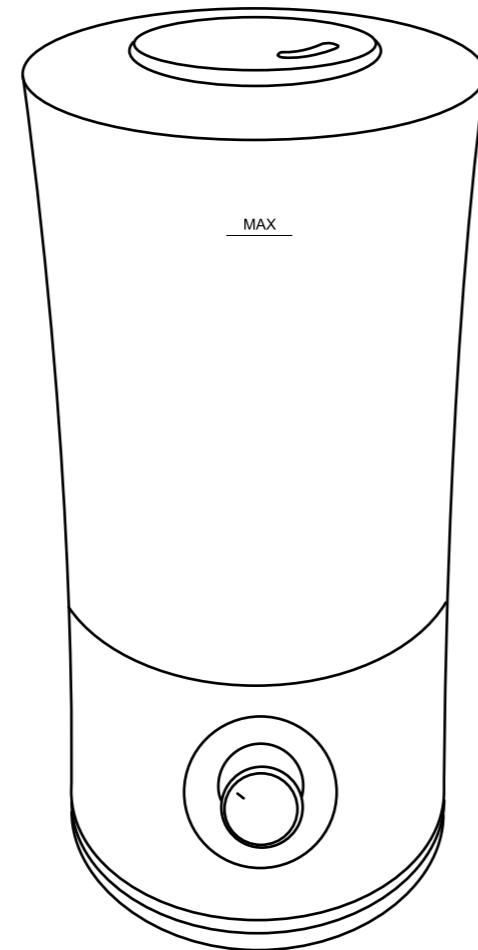
Water accumulated over long periods may create bacteria and mildew(fungus).

1. To clean mineral deposits from the nebulizer, dampen a soft cloth with vinegar and wipe the nebulizer gently until the mineral deposit disappears. You may also use a very soft brush, like a toothbrush, to gently remove the deposits.
2. Water must not get inside the base part; should that happen, take it to an authorized service center before using it again.

A note about humidity

1. It is best to keep the humidity level at about 30-50 percent of relative humidity.
2. The comfort level of humidity will vary from room to room and with changing room conditions.
3. In cold weather, especially in unventilated areas, windows and even some walls may fog or develop frost from excessive indoor humidity. If this occurs, reduce the mist intensity setting to avoid damage from condensed water dripping on windows or walls.
4. Too much humidity in the room may allow moisture to accumulate on surfaces where bacteria and fungi can grow. Moisture that gathers may also damage furniture and walls, especially wallpaper.
5. To eliminate excessive humidity, especially in small rooms, leave the room door open and adjust the mist intensity control setting.

Ultrasonic Humidifier Instruction Book



Item No: Y7817A1AUT

© 2020 TOMY, TOMY AUSTRALIA, 942-956 TAYLORS ROAD, DANDENONG SOUTH, VICTORIA 3175
All rights reserved. MADE IN CHINA. Y7817A1AUT 191015

Caution

Important safe guards. Read and save this instruction.

In order to avoid electric shock, fire and/or serious personal injury, when using electrical appliances, basic safety precautions should always be followed, including the following:

1. Read all instructions carefully before use.
2. Check and be sure that voltage power corresponds to the stated on the appliance.
3. To avoid electric shock hazard, DO NOT immerse cord, plugs, power base or appliance in water or other liquid.
4. Close supervision is necessary when any appliance is used near children. This product is not a toy and should be placed out of reach of children. This product should not be used with children, without close supervision.
5. Unplug from outlet when not in use and before cleaning.
6. Do NOT operate any appliance with a damaged cord or plug or after the appliance malfunctions or has been damaged in any manner. Return appliance to the nearest authorized service facility for examination, repair, or adjustment.
7. The use of accessory attachments is not recommended by the appliance manufacturer and may cause injuries.
8. Do NOT use outdoors.
9. Do NOT let cord hang over edge of table or counter, or touch hot surfaces.
10. Do NOT place on or near a hot gas or electric burner, or in a heated oven.
11. Firstly attach appliance to plug, then plug cord into wall outlet; put the switch in off position before removing plug from wall outlet.
12. Do NOT use appliance for anything other than the intended use.
13. When removing mineral deposit, only use products specially formulated for the removal of mineral deposit. Never use ammonia or any other substance that might be dangerous to your health.
14. Do NOT refill with water while the appliance is switched on.
15. Use on a water resistant, hard, flat level surface only.
16. NEVER use the appliance if it has been dropped on the floor or damaged in any way.
17. Be sure that there is water in water tank when operating unit.
18. Fill the tank with clean, cool tap water only (softened or distilled water recommended, tap water not due to hard).
19. To avoid white dust, you may use distilled water.
20. Be sure not to exceed the "max" line when filling water.
21. Be sure that the cap of the tank is firmly tightened when unit working.
22. Always have the mist direction nozzle and the mist chamber in place while the unit is operating. Rotate the appliance so that the mist nozzle aims away from children walls and furniture.
23. Do NOT add medication of any type into the nozzle, base or water tank. Do not cover any openings on the unit or insert objects into any openings.
24. The unit should not be left unattended in closed rooms as the air could become saturated and leave condensation on walls or furniture. Always leave the room door partly open.
25. Keep water away from the air tower when cleaning the inside of the unit, the exterior except for the electrical controls are allowed to clean with a damp cloth when the unit is off.
26. Do NOT tilt or tip the unit or attempt to empty or fill it while it is in operation.
27. Use plenty of water to rinse after detergent or water with detergent cleaning the unit, otherwise any detergent deposit might affect the output of the unit.

This appliance is not intended for use by persons (including children) with reduced physical, sensory or mental capabilities, or lack of experience and knowledge, unless they have been given supervision or instruction concerning use of the appliance by a person responsible for their safety. Children should be supervised to ensure that they do not play with the appliance.

IMPORTANT NOTE: Some essential oils are NOT safe for infants and young children.

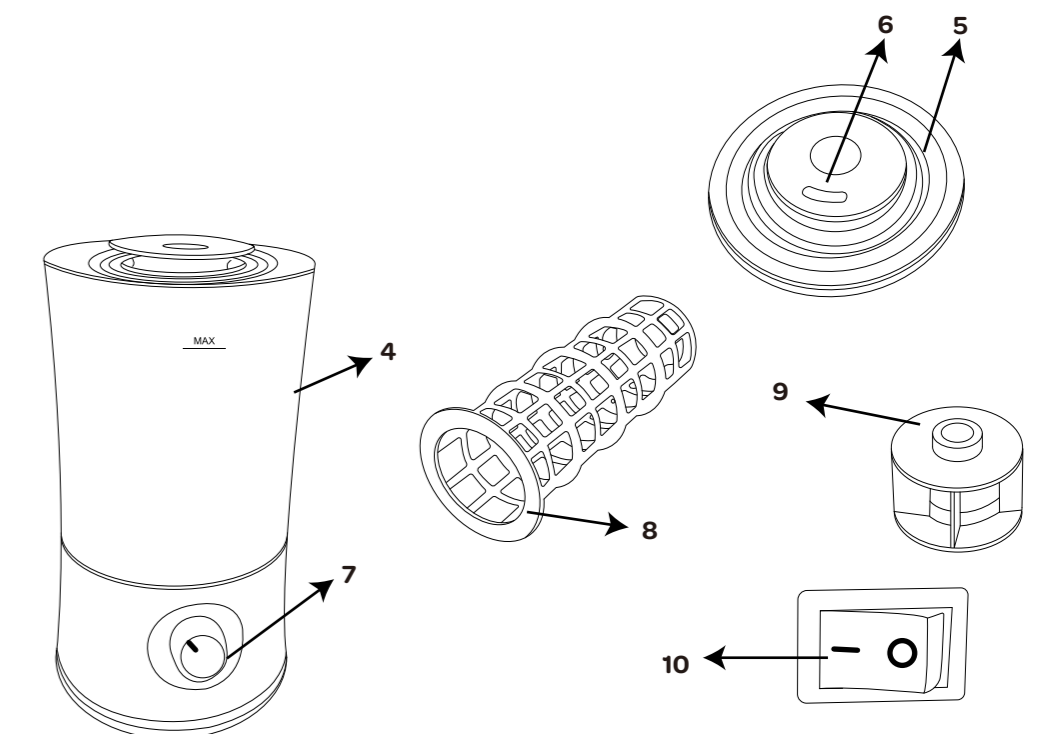
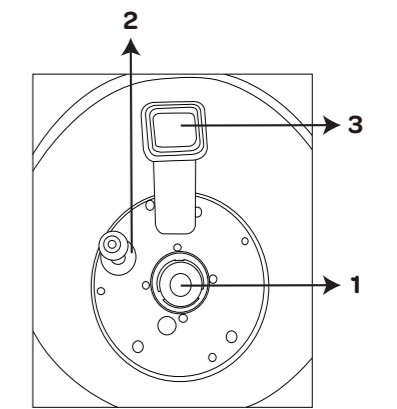
For use of essential oils in humidification or diffuser devices when around infants and/or young children – please check with your healthcare professional as to which essential oils are most suitable for your family.

Specifications

- Capacity: 2.2 L
- Main material: PP
- Rated voltage: 230V AC, 50HZ
- Output: 0-130ml/h

Main parts description

1. Nebulizer
2. Water Level Gauge with Floater
3. Air Tower
4. Water Tank
5. Tank Lid
6. Mist Vent
7. Control Panel
8. Basket
9. Basket Ring
10. LED Nightlight on/off switch (back of unit)



PM#099-Y7817A1AUT(rev#0)

Open Size: 11"(L) x 8"(H)

Folded Size: 5.5"(L) x 4"(H)

Pkg. type: Manual

Material: 80gsm woodfree paper

Color: K+K

Ref#Ward20200430