

# ASSEMBLY INSTRUCTION

Please read the instructions carefully. Be sure you have all parts before you start assembling. Place all furniture parts on a clean and flat surface, such as carpet or rug to prevent from being scratched.

This package contains small parts, keep away from children and babies until assembly is completed.

**CARE INSTRUCTION:**

WIPE CLEAN WITH A DAMP CLOTH. DO NOT USE ABRASIVE MATERIALS AND SOLVENTS. CHECK AND TIGHTEN ALL PARTS REGULARLY.

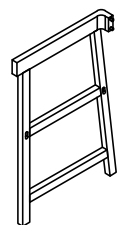
STORE IN A DRY PLACE

**WARNING!**

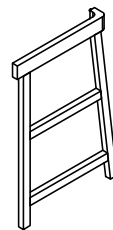
DO NOT SIT ON THE ARMREST. DO NOT STAND ON THE BENCH. DO NOT USE THE BENCH AS A STEP LADDER. DO NOT USE THE BENCH UNLESS ALL BOLTS, SCREWS AND KNOBS ARE FIRMLY SECURED. DO NOT OVERTIGHTEN SCREWS. DO NOT DRAG WHEN MOVING THE BENCH TO AVOID DAMAGING THE JOINTS.

MAXIMUM SAFE LOADING WEIGHT: 200KG

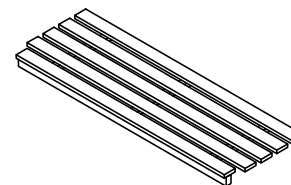
FAILURE TO FOLLOW THESE WARNINGS COULD RESULT IN SERIOUS INJURY.



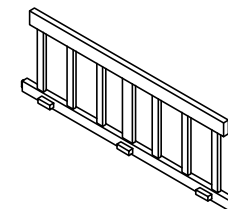
A x 1



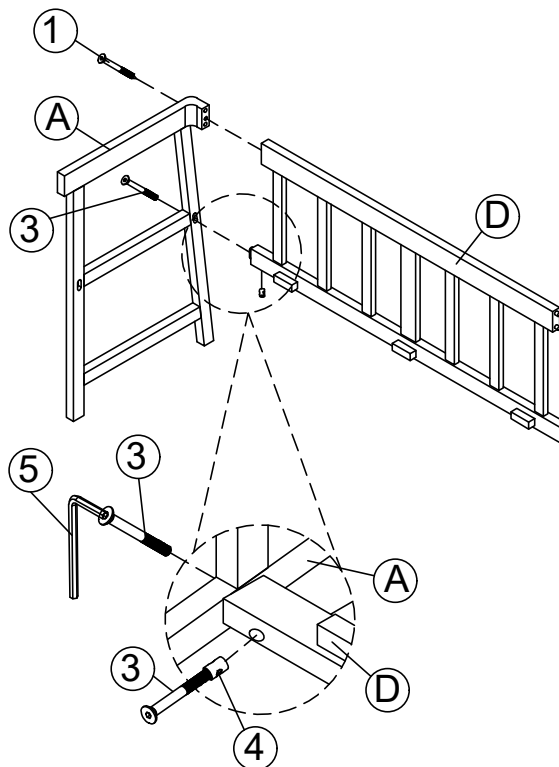
B x 1



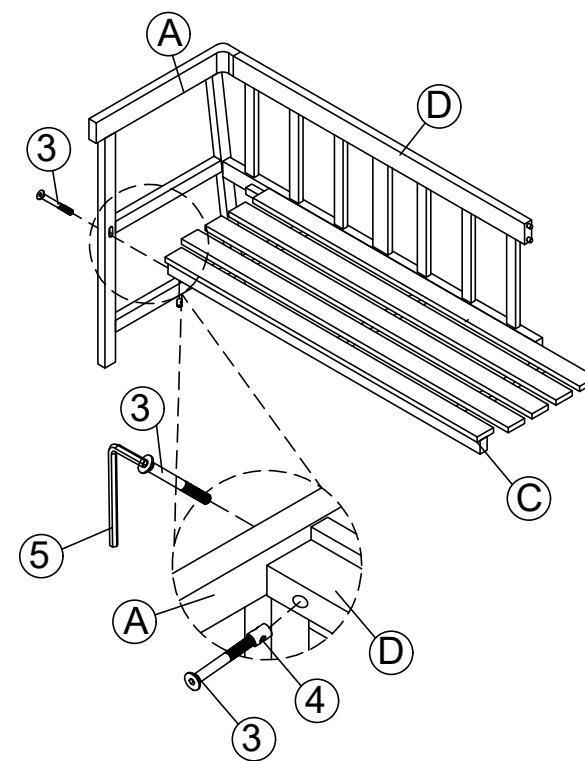
C x 1



D x 1



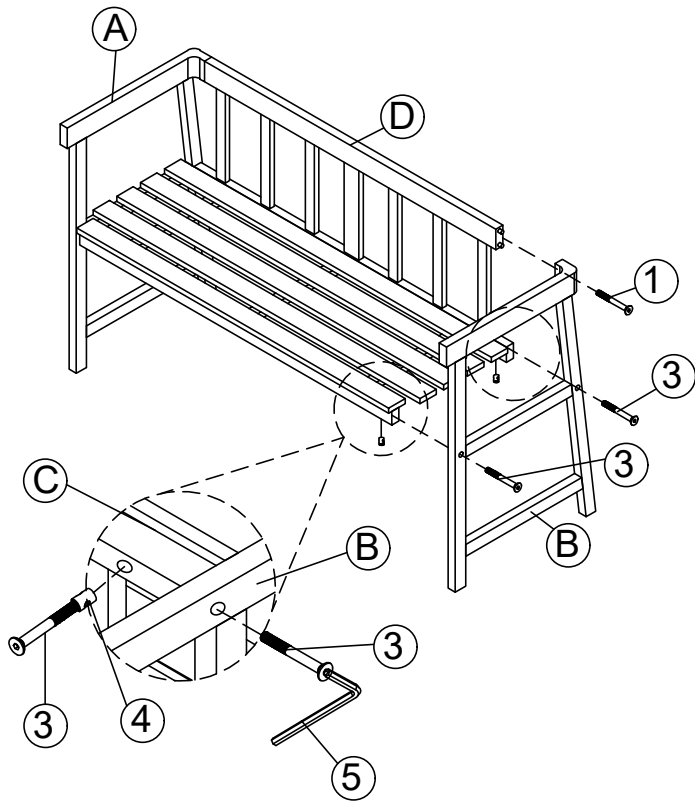
STEP 1



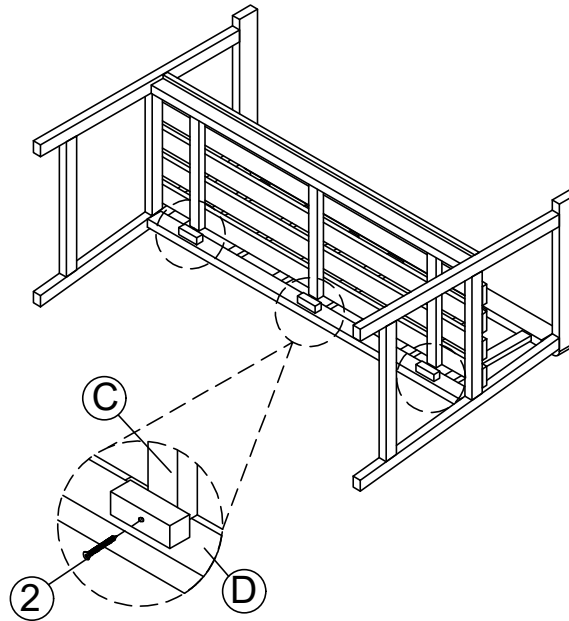
STEP 2

No	Hardware	Fig	Q.ty
①	Screw M7x70 mm		2
②	Screw M4x30 mm		3
③	Bolt M6x60 mm		5
④	Nut M6		4
⑤	Allen Key M4 x 80mm		1

# ASSEMBLY INSTRUCTION



STEP 3



STEP 4

