

Assembly Instructions

42909200 DROP LEAF TABLE





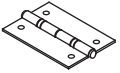
CARE INSTRUCTIONS:


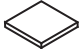
WIPE CLEAN WITH SOFT DAMP CLOTH. DO NOT USE SCOURERS, ABRASIVES OR CHEMICAL SOLVENTS. STORE IN A DRY PLACE AND KEEP AWAY FROM DIRECT WATER AND SUNLIGHT. FOR INDOOR AND DOMESTIC USE.

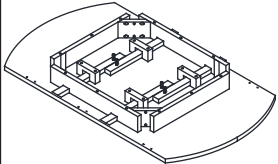
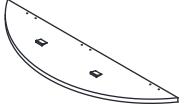

WARNING:

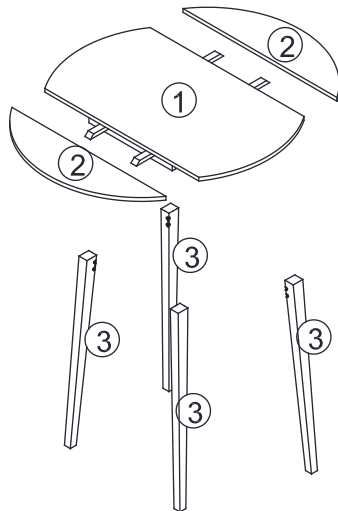
DO NOT STAND OR SIT ON THE PRODUCT. DO NOT USE THE PRODUCT AS A STEP LADDER. DO NOT USE THE PRODUCT UNLESS ALL BOLTS AND SCREWS ARE FIRMLY SECURED. FAILURE TO FOLLOW THESE WARNING COULD RESULT IN SERIOUS INJURY. **MAXIMUM SAFE LOAD: 30KGS FOR TOP PANEL.**

Hardware list

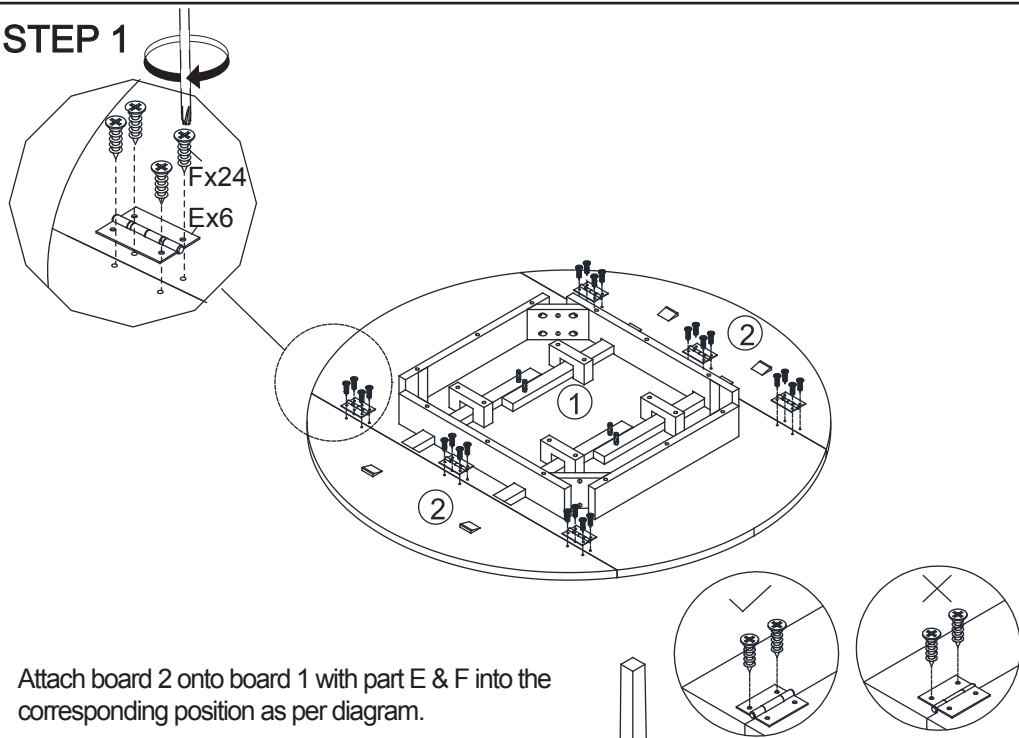
	A	M8X45mm	8PCS
	B	Flat Washer	8PCS
	C	Spring Washer	8PCS
	D	Allen Key (M5)	1PC
	E	Hinge	6PCS

	F	3X12mm	24PCS
	G	Glide	4PCS

					
①	1PC	②	2PCS	③	4PCS

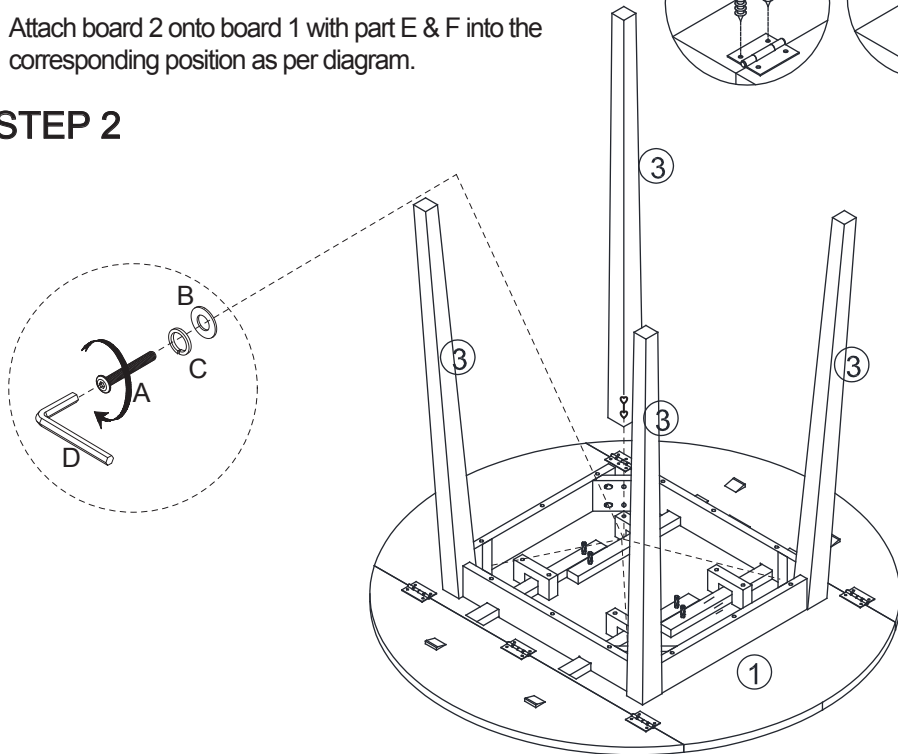


STEP 1



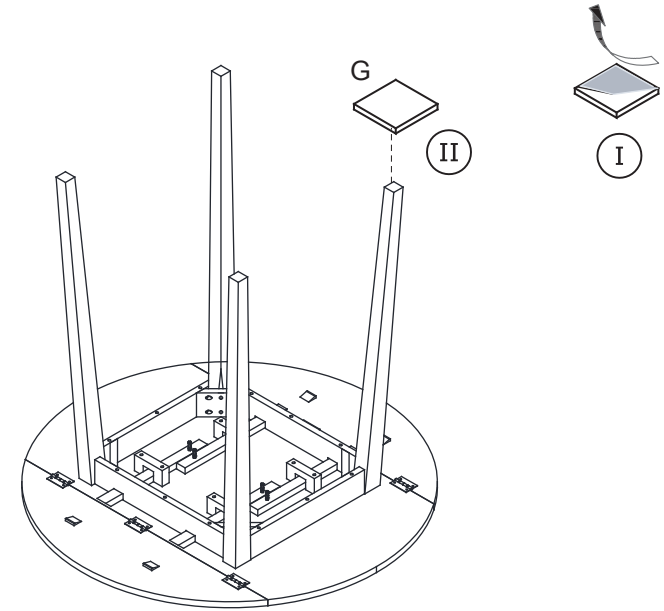
Attach board 2 onto board 1 with part E & F into the corresponding position as per diagram.

STEP 2



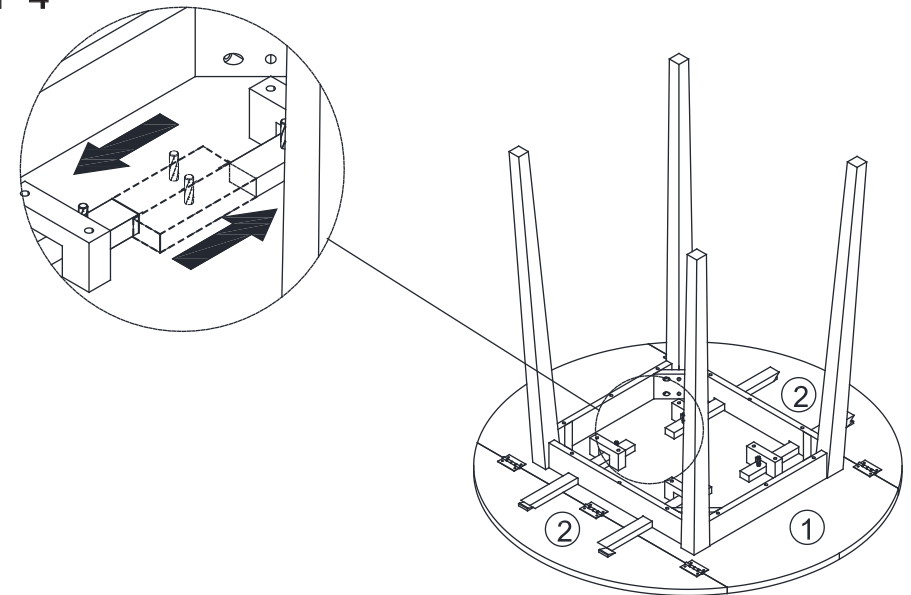
Fixed leg 3 onto board 1 with part B, C & A by hand, then tighten them using Part D.

STEP 3



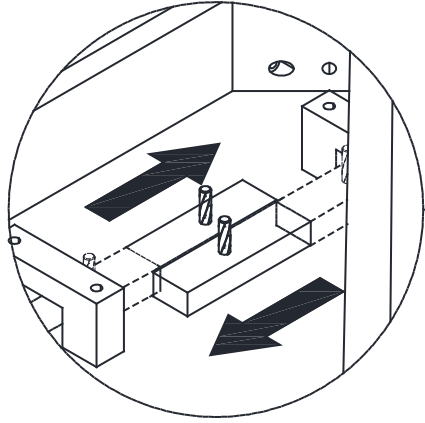
Peel off self-adhesive tape of Glide G, stick them on the bottom of each leg.

STEP 4

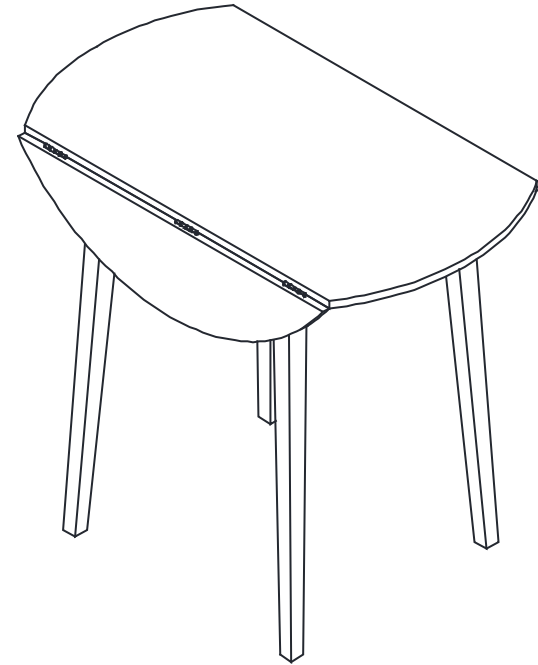
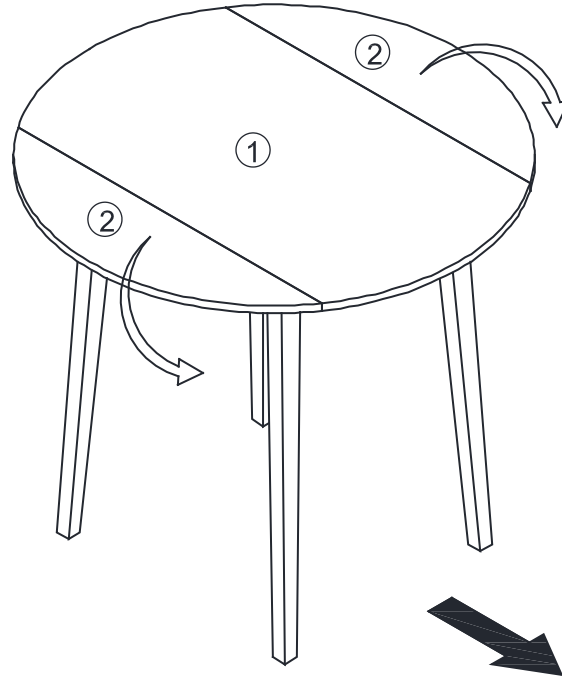


If you want to extend table top, push block of board 1 onto board 2 into the corresponding position as per diagram.

STEP 5



If you want to fold the table top, push block of board 2 onto board 1 into the corresponding position as per diagram.



Finish the assembly.

ATTENTION:
DO NOT TIGHTEN THE SCREWS FULLY DURING ASSEMBLY.
FULLY TIGHTEN SCREWS AFTER THE FINAL ASSEMBLY STEPS.