

Assembly Instructions

42909224 HALL TABLE WHITE





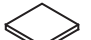


CARE INSTRUCTIONS:








WIPE CLEAN WITH SOFT DAMP CLOTH. DO NOT USE SCOURERS, ABRASIVES OR CHEMICAL SOLVENTS. STORE IN A DRY PLACE AND KEEP AWAY FROM DIRECT WATER AND SUNLIGHT. FOR INDOOR AND DOMESTIC USE.

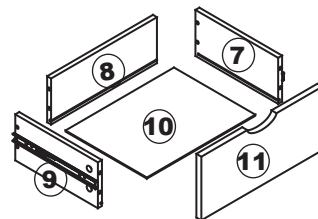
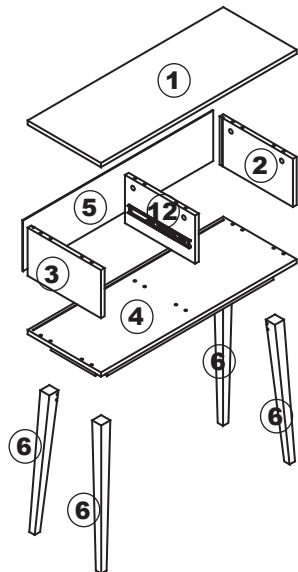
WARNING:

DO NOT STAND OR SIT ON THE PRODUCT. DO NOT USE THE PRODUCT AS A STEP LADDER. DO NOT USE THE PRODUCT UNLESS ALL BOLTS AND SCREWS ARE FIRMLY SECURED. FAILURE TO FOLLOW THESE WARNING COULD RESULT IN SERIOUS INJURY. **MAXIMUM SAFE LOAD: 10KGS FOR TOP PANEL, 3KGS FOR DRAWER.**

Hardware list

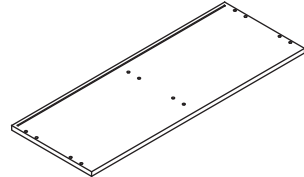
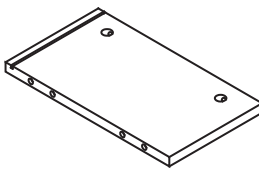
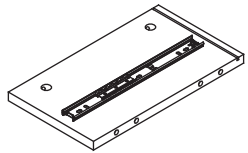
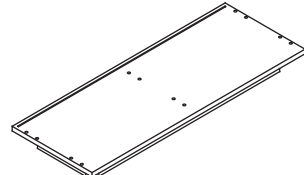
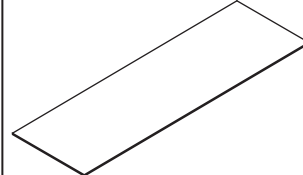

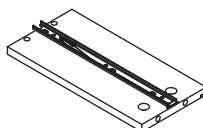
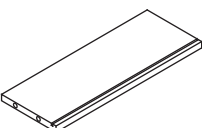
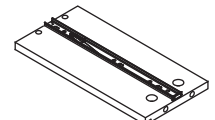
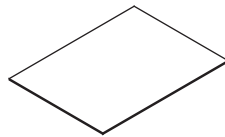
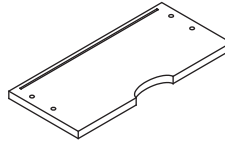
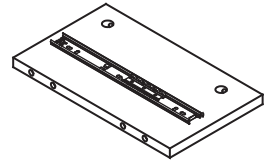
	A	6X35mm	10PCS
	B	15x9mm	10PCS
	C	6x30mm	12PCS
	D	4X35mm	11PCS
	E	Glide	4PCS
	F	M6X45mm	8PCS
	G	Flat Washer	8PCS

	H	Spring Washer	8PCS
	I	Allen Key	1PC
	J	Anti Tip Strap	1PC
	K	Plastic Anchor	1PC
	L	Pan Screw	1PC
	M	Flat Washer	2PCS
	N	Paper Cover	2PCS

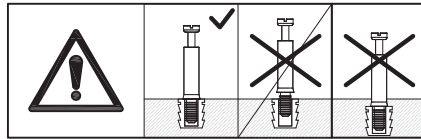
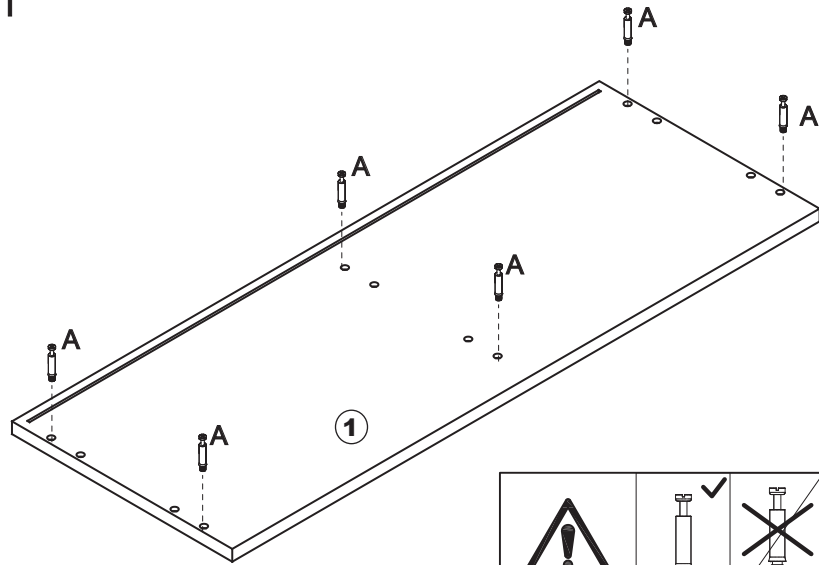


WARNING: Serious injury or death can be caused by toppling furniture.

- Help prevent tip-over:
 - Anchor this product to a wall or other suitable surface
 - Check anchors regularly
- Avoid placing TVs on top unless the TV is also anchored
- Use drawer locks to prevent children climbing

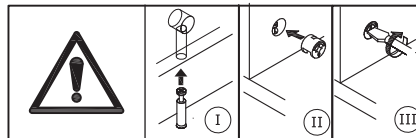
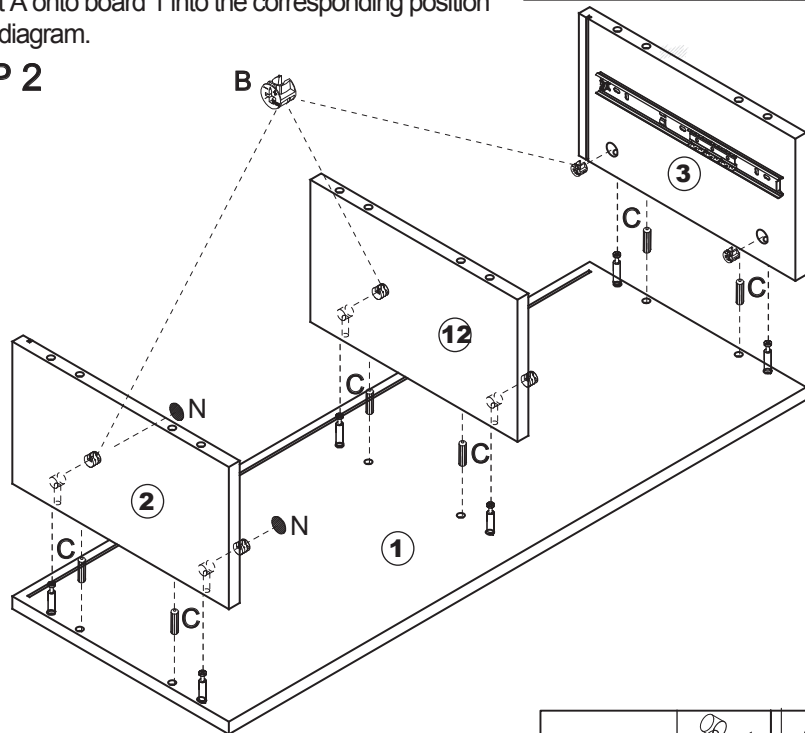
	1PC		1PC		1PC
	1PC		1PC		4PCS
	1PC		1PC		1PC
	1PC		1PC		1PC

STEP 1



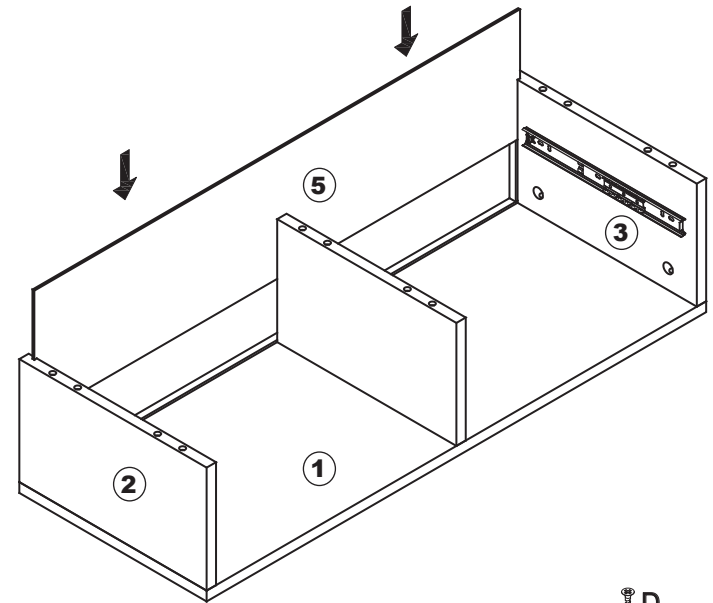
Fix part A onto board 1 into the corresponding position as per diagram.

STEP 2



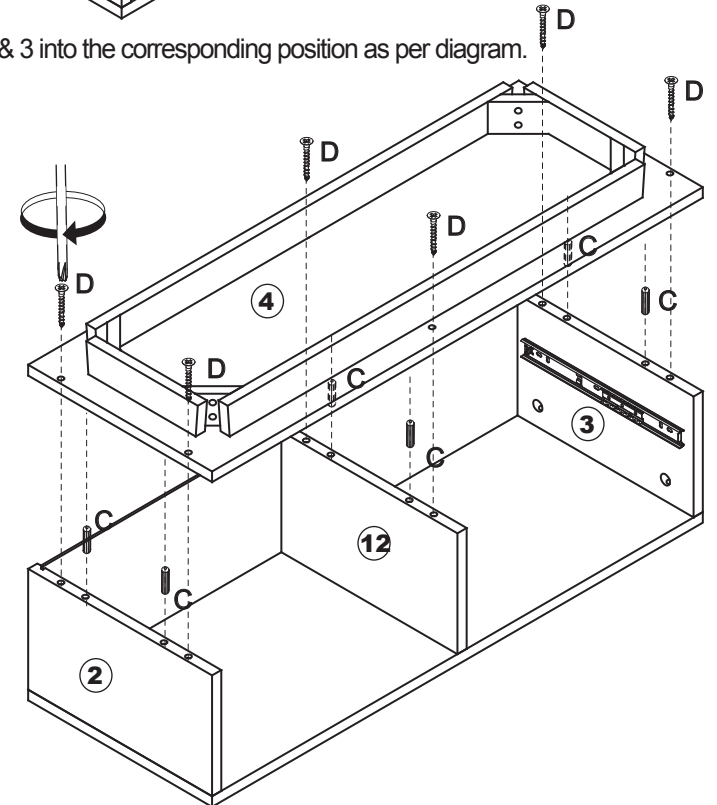
Attach board 2 & 3 & 12 onto board 1 with part B & C.
Put part N onto screw holes of board 2 into the corresponding position as per diagram.

STEP 3



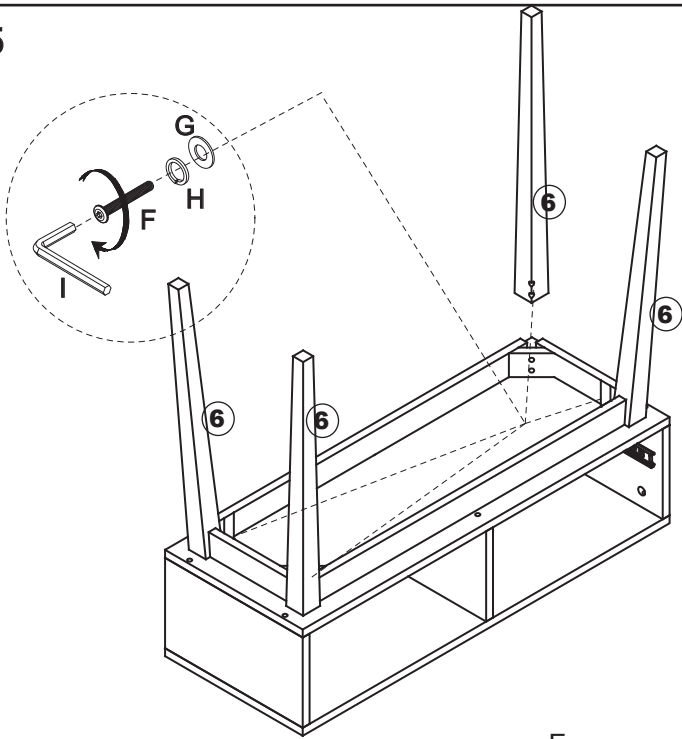
Put board 5 onto board 2 & 3 into the corresponding position as per diagram.

STEP 4



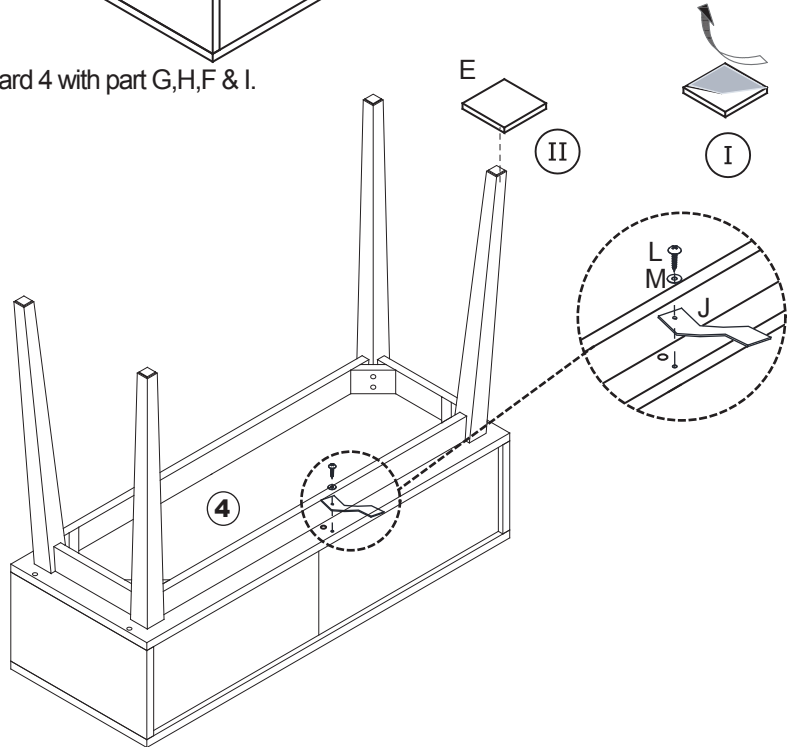
Attach board 4 onto board 2 & 3 & 12 with part C & D.

STEP 5



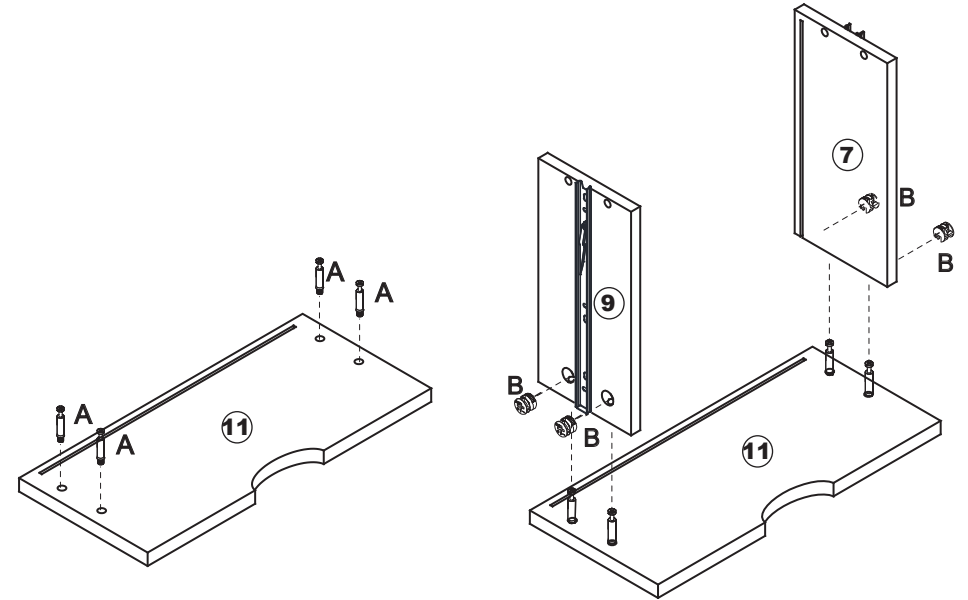
Attach leg 6 onto board 4 with part G,H,F & I.

STEP 6



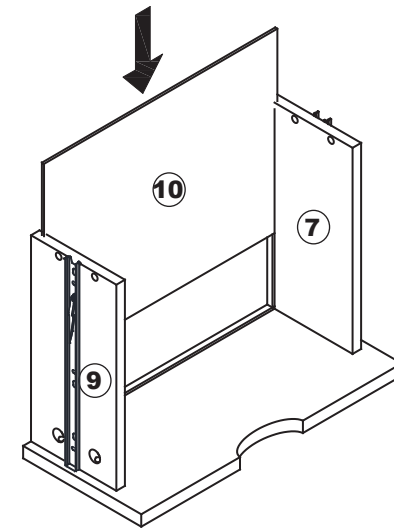
Attach Anti Tip Strap J onto board 4 with part L & M into the corresponding position as per diagram. Peel off self-adhesive tape of Glide E, stick them on the bottom of each leg .

STEP 7



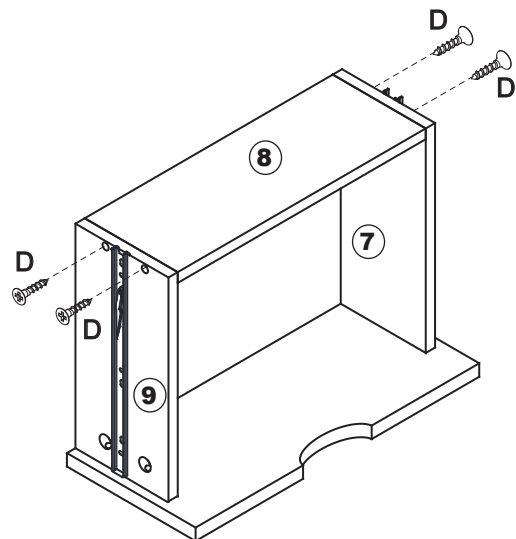
Fix part A onto board 11 into the corresponding position as per diagram. Attach board 7 & 9 onto board 11 with part B.

STEP 8



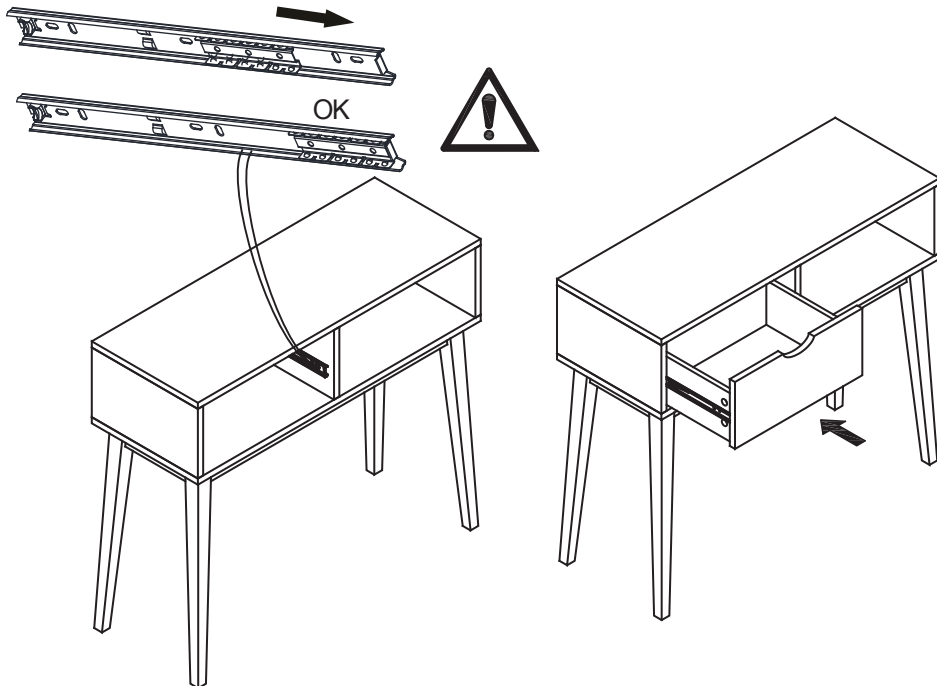
Put board 10 onto board 7 & 9 into the corresponding position as per diagram.

STEP 9



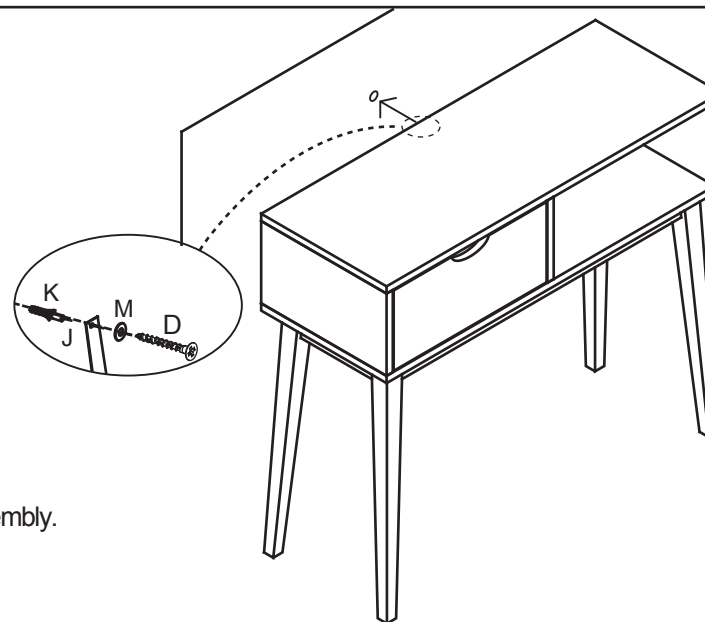
Attach board 8 onto board 7 & 9 with part D.

STEP 10



Attach the drawer onto Step 6 and then adjust drawer runner into corresponding position as per diagram.

STEP 11



Finish the assembly.

Predrill the hole at wall, insert part K into hole, attach Anti Tip Strap J with part D & M into the corresponding position as per diagram.

It is strongly recommended that this product is permanently fixed to the wall. Please seek professional advice if you are in doubt of what fixing device to use. Regularly check that anchors are securely maintained.

CAUTION: for your safety when attaching the anchor fixings, please note the following: Check any electrical wires or plumbing inside the wall before drilling any holes (if you are unsure please seek professional advice from a qualified tradesperson).

ATTENTION:
DO NOT TIGHTEN THE SCREWS FULLY DURING ASSEMBLY.
FULLY TIGHTEN SCREWS AFTER THE FINAL ASSEMBLY STEPS.
DO NOT PUT HOT ITEMS SUCH AS COFFEE CUPS DIRECTLY ON THE SURFACE OF PRODUCT!