

Assembly Instructions

42909279 BEDSIDE DRAWER WHITE





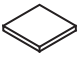
CARE INSTRUCTIONS:





WIPE CLEAN WITH SOFT DAMP CLOTH. DO NOT USE SCOURERS, ABRASIVES OR CHEMICAL SOLVENTS. STORE IN A DRY PLACE AND KEEP AWAY FROM DIRECT WATER AND SUNLIGHT. FOR INDOOR AND DOMESTIC USE.

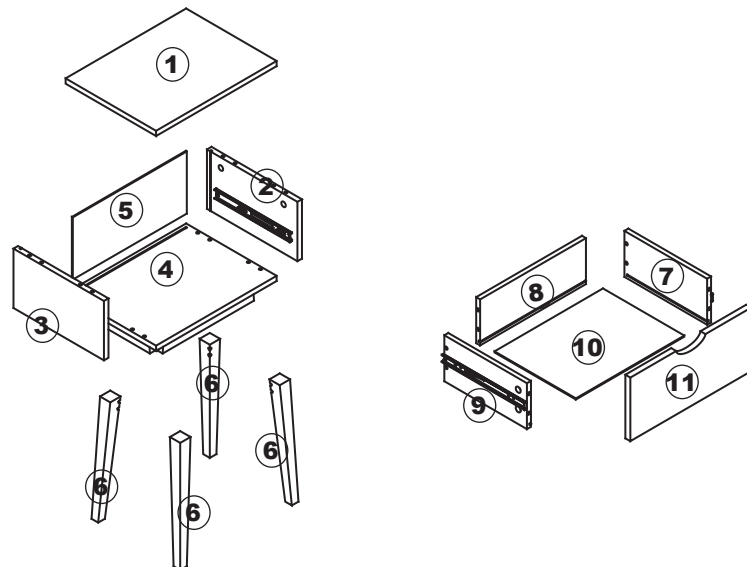
WARNING:

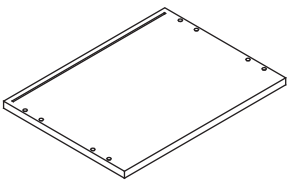
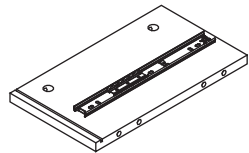
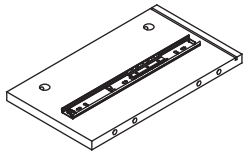
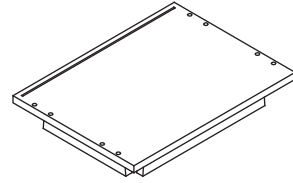
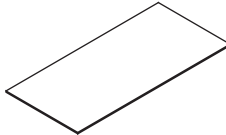

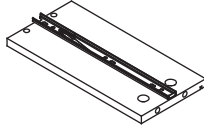
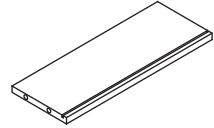
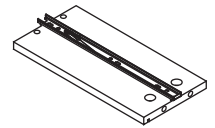
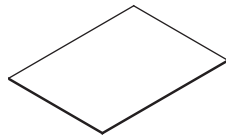
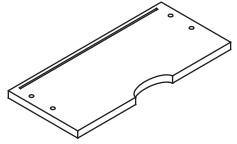
DO NOT STAND OR SIT ON THE PRODUCT. DO NOT USE THE PRODUCT AS A STEP LADDER. DO NOT USE THE PRODUCT UNLESS ALL BOLTS AND SCREWS ARE FIRMLY SECURED. LOAD DRAWER EVENLY TO PREVENT FROM TIPPING OVER. FAILURE TO FOLLOW THESE WARNING COULD RESULT IN SERIOUS INJURY. **MAXIMUM SAFE LOAD:10KGS FOR TOP PANEL,3KGS FOR DRAWER.**

Hardware list

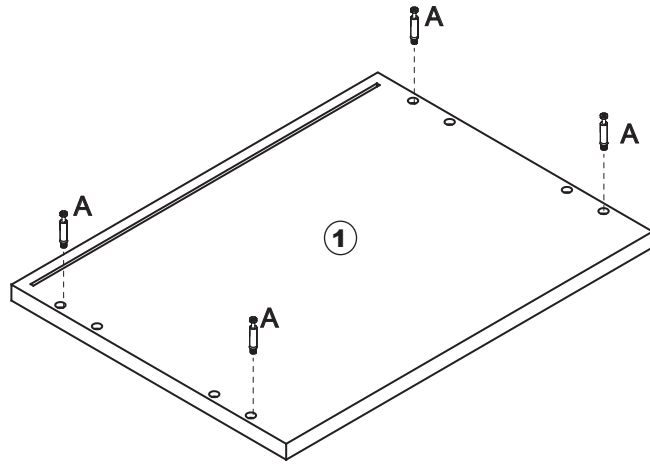
	A	6X35mm	8PCS
	B	15x9mm	8PCS
	C	6x30mm	8PCS
	D	4X35mm	8PCS
	E	Glide	4PCS

	F	M6X45mm	8PCS
	G	Flat Washer	8PCS
	H	Spring Washer	8PCS
	I	Allen Key	1PC

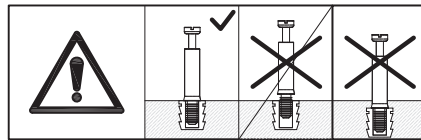


	1PC		1PC		1PC
	1PC		1PC		4PCS
	1PC		1PC		1PC
	1PC		1PC		

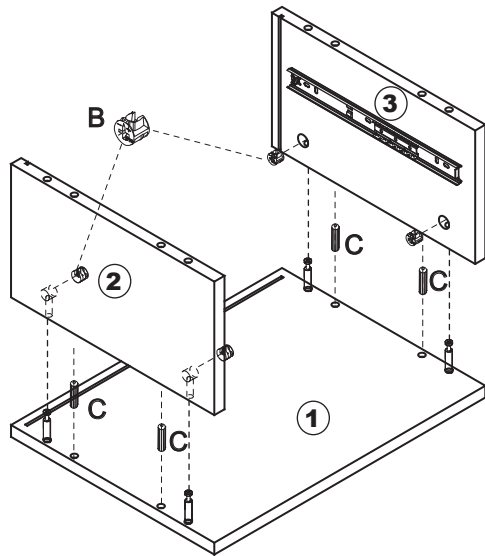
STEP 1



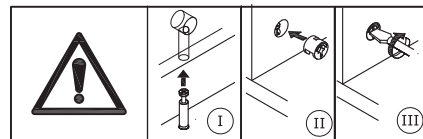
Fix part A onto board 1 into the corresponding position as per diagram.



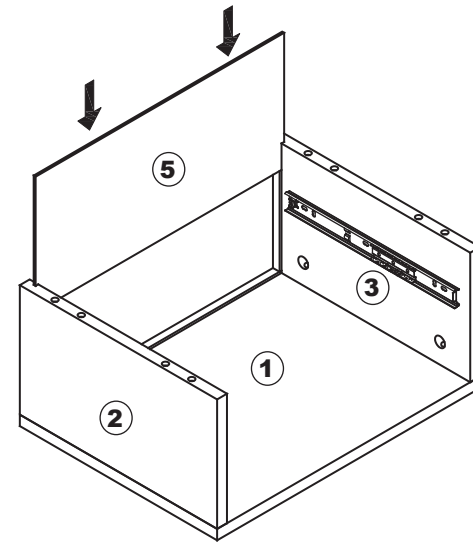
STEP 2



Attach board 2 & 3 onto board 1 with part B & C.

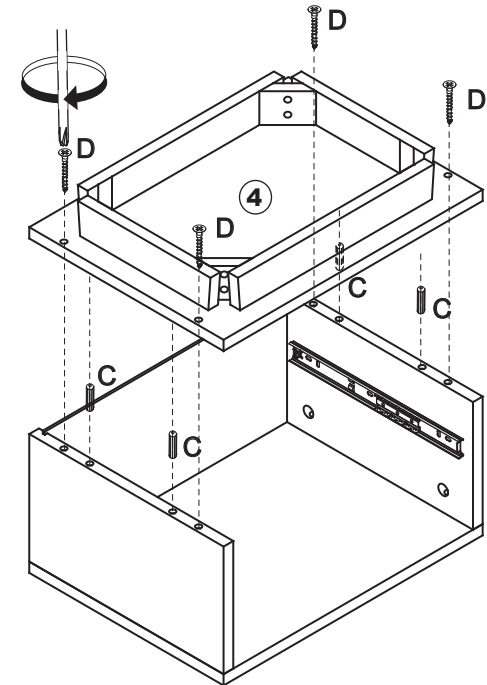


STEP 3



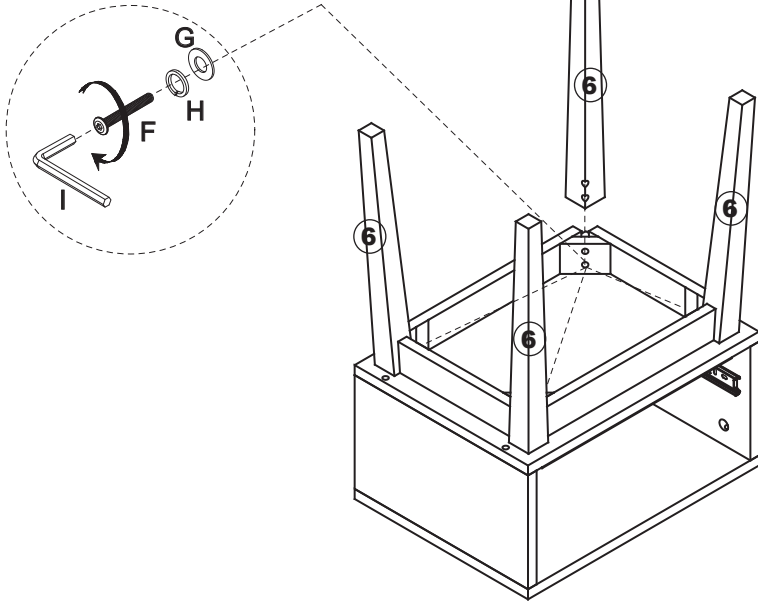
Put board 5 onto board 2 & 3 into the corresponding position as per diagram.

STEP 4



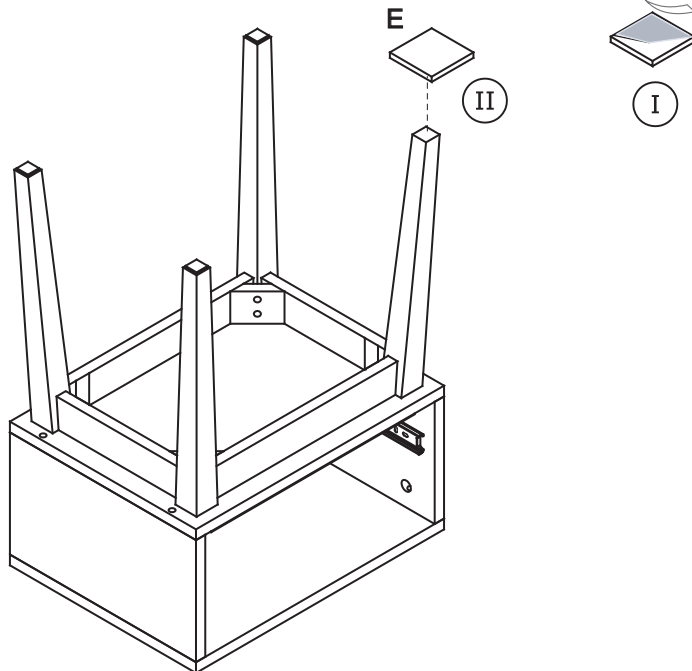
Attach board 4 onto board 2 & 3 with part C & D.

STEP 5



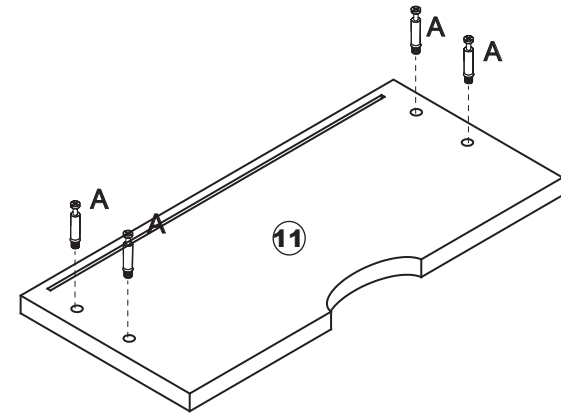
Attach leg 6 onto board 4 with part G,H,F & I.

STEP 6



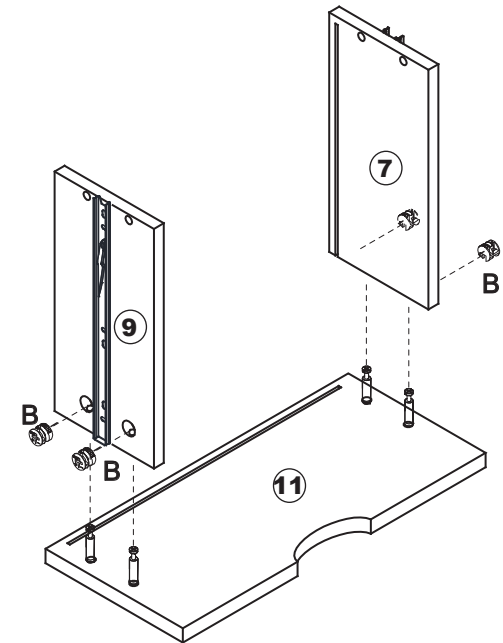
Peel off self-adhesive tape of Glide E, stick them on the bottom of each leg .

STEP 7



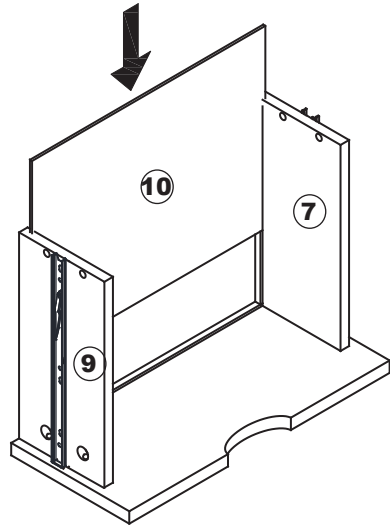
Fix part A onto board 11 into the corresponding position as per diagram.

STEP 8



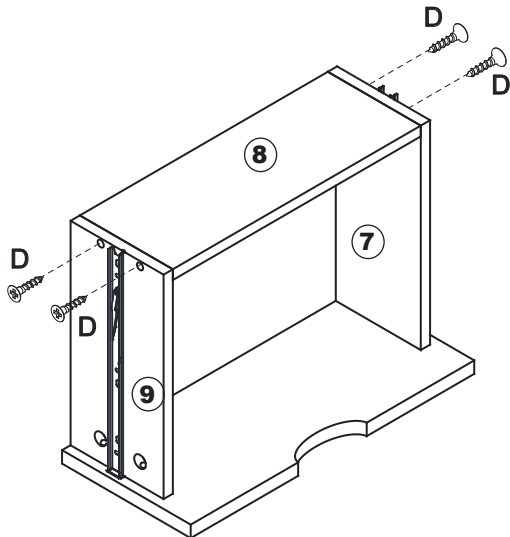
Attach board 7 & 9 onto board 11 with part B.

STEP 9



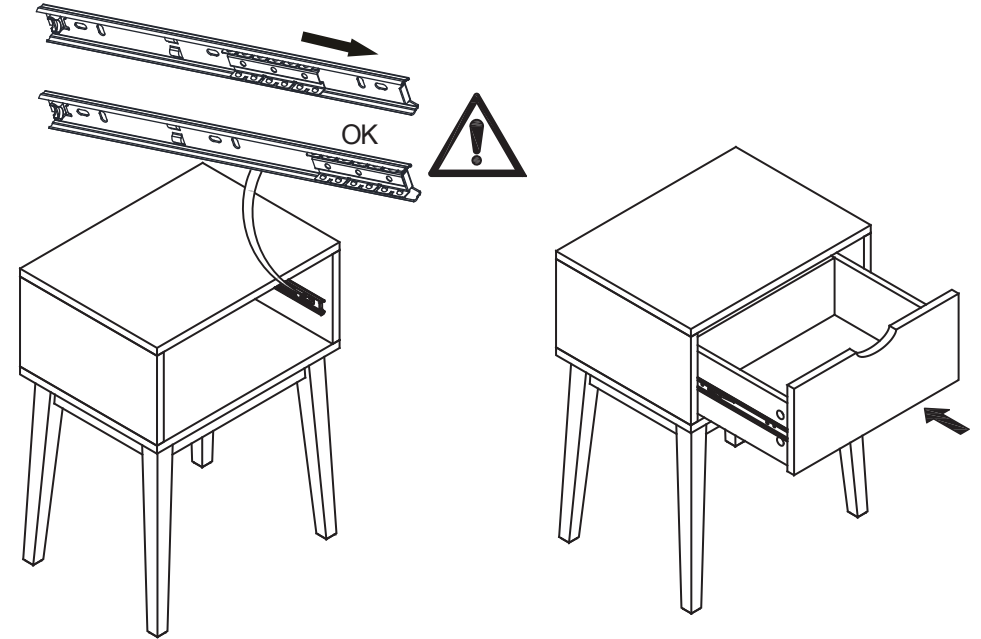
Put board 10 onto board 7 & 9 into the corresponding position as per diagram.

STEP 10



Attach board 8 onto board 7 & 9 with part D.

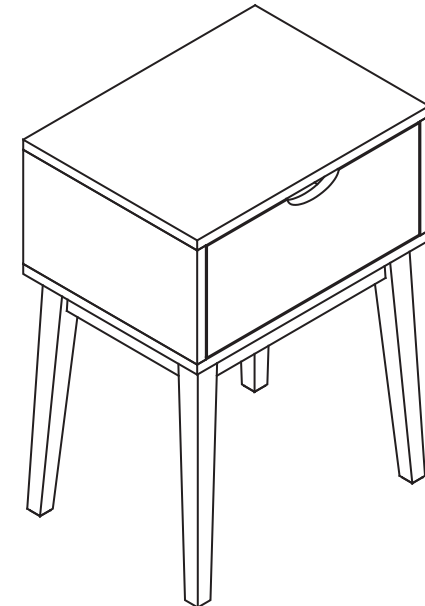
STEP 11



Attach the drawer onto Step 6 and then adjust drawer runner into corresponding position as per diagram.

STEP 12

Finish the assembly.



ATTENTION:
DO NOT TIGHTEN THE SCREWS FULLY DURING ASSEMBLY.
FULLY TIGHTEN SCREWS AFTER THE FINAL ASSEMBLY STEPS.
DO NOT PUT HOT ITEMS SUCH AS COFFEE CUPS DIRECTLY ON THE SURFACE OF PRODUCT!