

Assembly Instructions

42909903 DESK STUDENT WHITE

PLEASE READ THE INSTRUCTIONS CAREFULLY. BE SURE YOU HAVE ALL PARTS BEFORE YOU START ASSEMBLING. PLACE ALL WOODEN FURNITURE PARTS ON A CLEAN AND FLAT SURFACE, SUCH AS CARPET OR RUG TO PREVENT FROM BEING SCRATCHED.

WARNING:
 THIS PACKAGE CONTAINS SMALL PARTS AND SHARP POINTS, KEEP AWAY FROM CHILDREN AND BABIES UNTIL ASSEMBLY IS COMPLETED. ADULT ASSEMBLY REQUIRED. DO NOT SIT OR STAND ON DESK. AVOID SCRATCHING THE SURFACE. DO NOT KNOCK OR DRAG THE PRODUCT. FAILURE TO FOLLOW THESE WARNINGS COULD RESULT IN SERIOUS INJURY. WHEN CLEANING THE SURFACE USE A DAMP CLOTH OR DRY CLEAN CLOTH. DO NOT USE DETERGENT OR CHEMICAL CLEANERS. AVOID CONTACT WITH WATER AND DIRECT SUNLIGHT. **MAXIMUM SAFE LOAD: 40KGS.**
 A MILD ODOUR MAY BE PRESENT WHEN FIRST OPENING THIS CARTON. SIMPLY ALLOW TO AIR OUTSIDE AND THIS WILL DISSIPATE.

CHECK YOUR HARDWARE

A		SCREW M7X48MM	12PCS
B		WOOD DOWEL M8X40MM	6PCS
C		EURO BOLT	8PCS
D		HOUSING	8PCS
E		STICKERS	12PCS

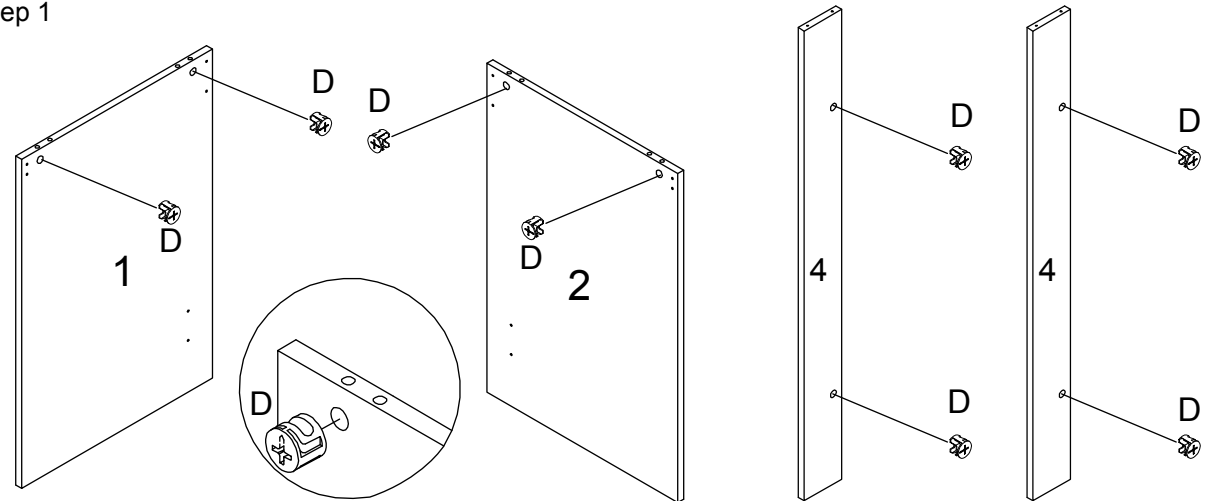
PART LIST

1	1PCS	2	1PCS	4	2PCS	5	1PCS
3	1PCS						

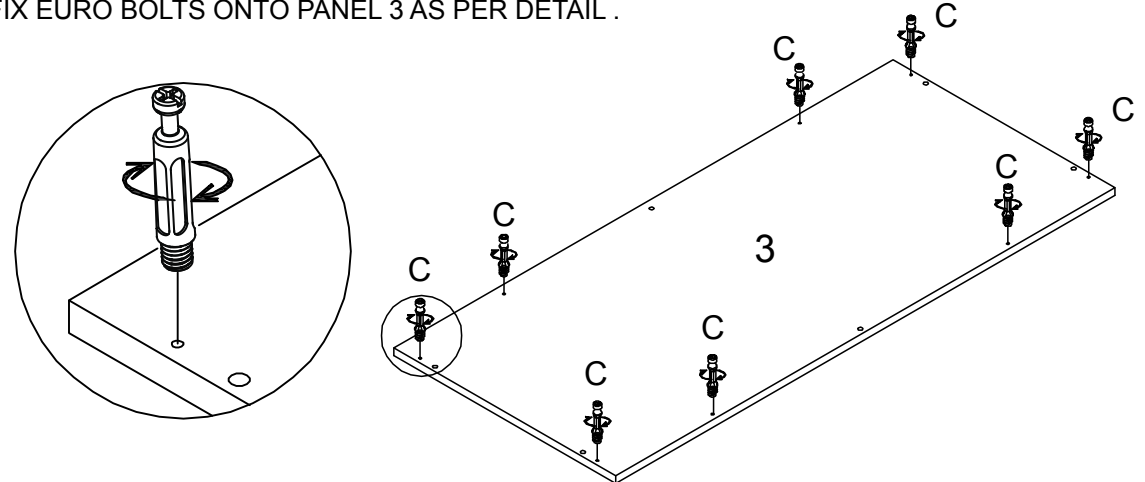
TOOLS REQUIRED

	HEX KEY SCREW DRIVER
	RUBBER MALLET (NOT PROVIDED)

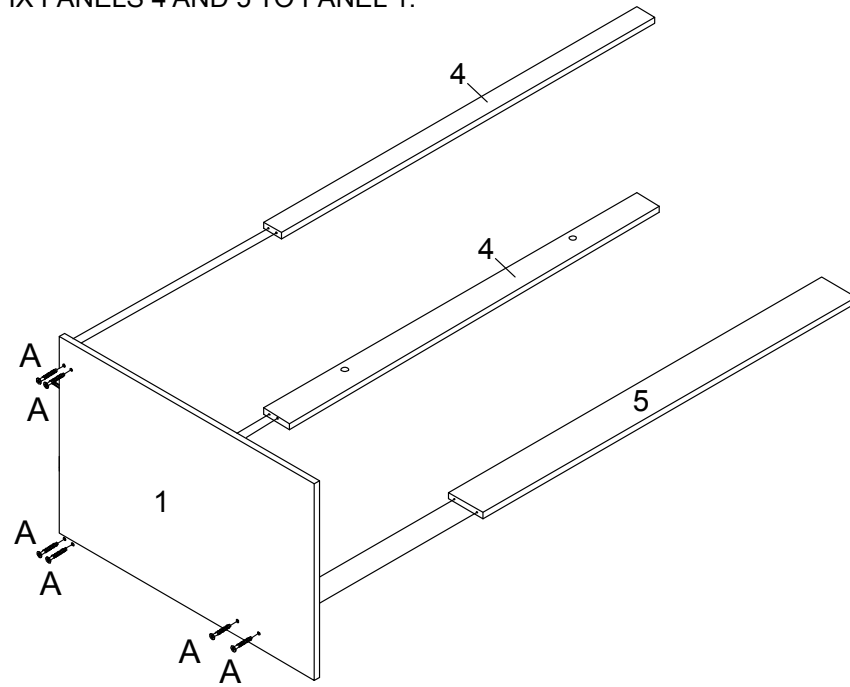
Step 1



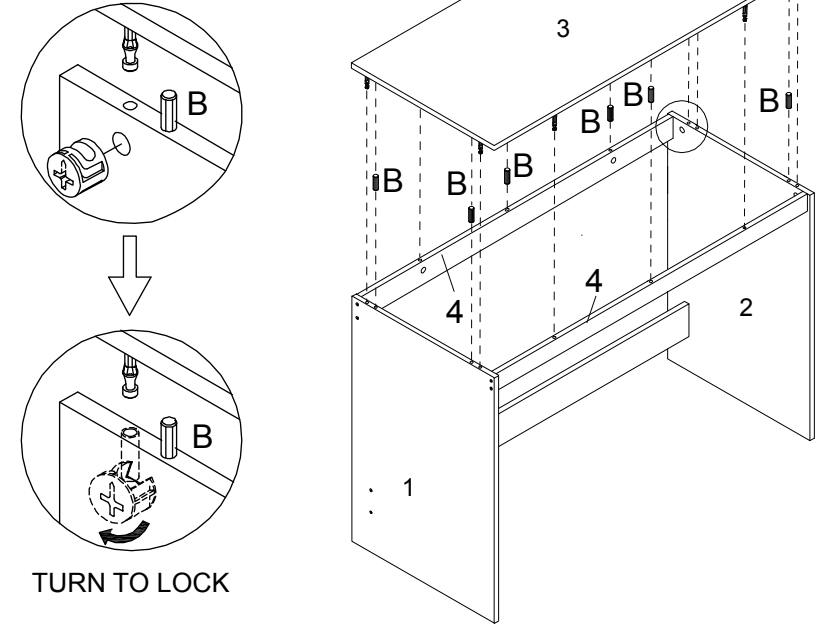
Step 2: FIX EURO BOLTS ONTO PANEL 3 AS PER DETAIL .



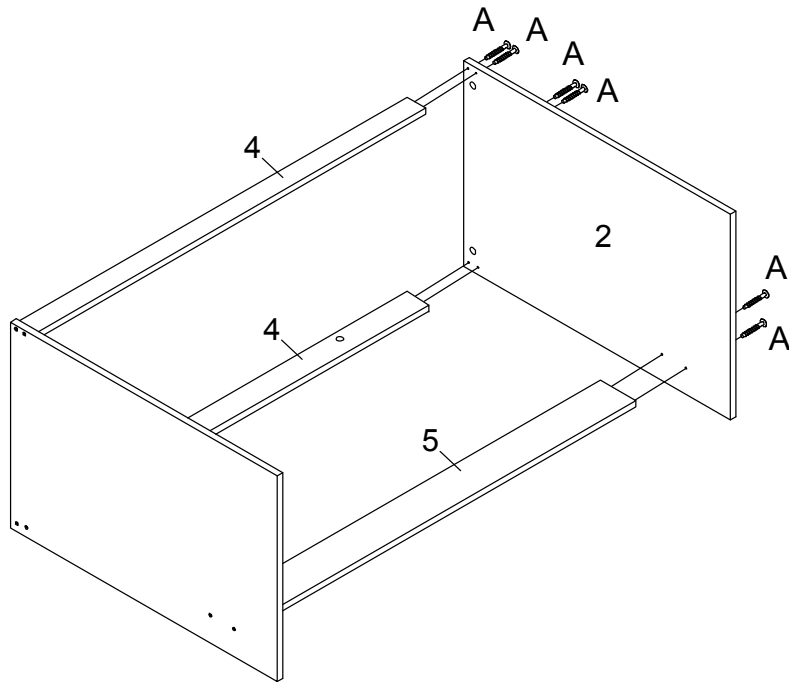
Step 3: FIX PANELS 4 AND 5 TO PANEL 1.



Step 5: FIX PANEL 3 ONTO ASSEMBLED FRAME
PUSH HOUSING INTO HOLES AND TURN
TILL IT LOCKS AS PER DETAIL.



Step 4: FIX PANEL 2 TO PANELS 4 AND 5.



Step 6: ATTACH STICKERS TO ALL SCREW HEADS AS PER DETAIL.
ASSEMBLY IS NOW COMPLETE.

