

anko

BLADELESS FAN **User Manual**

Model no.: LW03-19AR



PLEASE READ AND SAVE THESE
INSTRUCTIONS FOR FUTURE REFERENCE

IMPORTANT SAFEGUARDS

When using an electrical appliance, basic safety precautions should always be observed, including the following:

READ ALL INSTRUCTIONS BEFORE USING

WARNING: To reduce the risk of fire, electrical shock, or injury to person please observe the following:

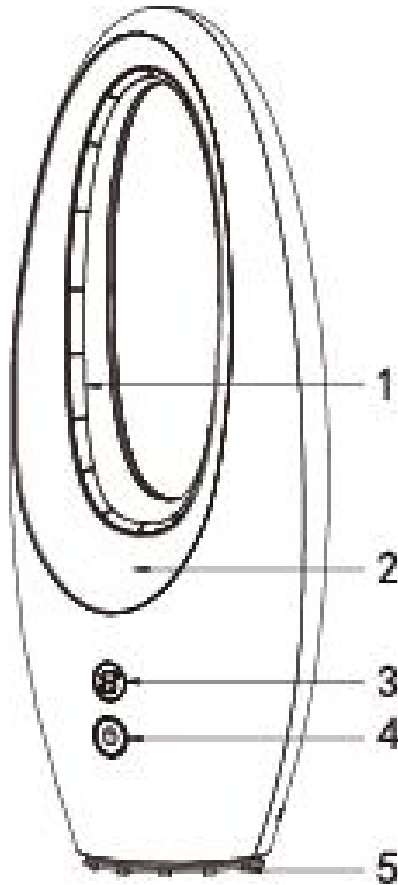
1. The product is for household use only.
2. Keep appliance out of reach of young children and pets.
3. This appliance is not intended for use by persons (including children) with reduced physical, sensory or mental capabilities, or lack of experience and knowledge, unless they have been given supervision or instructions concerning use of the appliance by a person responsible for their safety.
4. Children should be supervised to ensure that they do not play with the appliance.
5. Ensure children and babies do not play with plastic bags or any packaging materials.
6. Do not disassemble the appliance. There are no user serviceable parts inside.
7. **VERY IMPORTANT:**
Ensure that appliance does not get wet (water splashes, rain etc.)
Do not use appliance with wet hands.
Do not immerse appliance in water or other liquids or use near sinks, baths or showers.
8. Always operate the appliance from a power source of the same voltage, frequency and rating as indicated on the product identification plate.
9. Position the power supply lead properly so that they will not be walked on or pinched by items placed on or against them.
10. Use appliance only for its intended use. This appliance is intended for household use only and not for commercial or industrial use.
11. Do not operate the appliance with a damaged cord or plug, or after the unit malfunctions, has been dropped, or damaged in any manner.
12. If the supply cord is damaged, it must be replaced by a qualified electrical person only or the appliance must be disposed to avoid a hazard.
13. The use of accessories not intended for use with this appliance may cause injuries to the user or damage to the appliance.
14. Do not install the unit on other appliances, on uneven surfaces or where it could be subject to heat sources, direct sunlight, moisture, excessive dust or mechanical vibrations.
15. Appliance should not be used outdoors.
16. Use the appliance in a well-ventilated area. While using, distance of no less than 20cm should be kept away from wall or corner to ensure the air intakes or exhaust openings at the back is not blocked unexpectedly. The unit must not be located immediately below or besides a curtain or the likes.
17. Do not use in places where curtains can get easily sucked in by the fan. Avoid obstacles and unstable places.
18. Use the appliance on flat, dry floor only.
19. Do not install near any heat sources such as radiators, heat registers, stoves, or other apparatus that produce heat.
20. Do not hang or wall-mount the appliance.
21. Do not operate appliance underneath or near flammable or combustible materials (e.g. curtains). Keep at least 300mm clearance around sides, back, front and top.

22. Do not allow curtains, drapes or any other items to drape across the appliance or openings.
23. Do not block any ventilation openings.
24. Never insert fingers or any other objects through the fan guard and ventilation openings.
25. Do not use the appliance in oily or dirty area (i.e. the kitchen, smoky place, etc.), as the air vents may become blocked.
26. Turn off and unplug from mains power before cleaning or storing.
27. Do not misuse the power cord. Never carry the appliance by the cord or pull to disconnect it from the mains power outlet. Instead, grasp the plug and pull to disconnect.
28. Do not insert or allow foreign objects to enter the grille openings as this may cause damage to the appliance and/or injury to the user.
29. Do not place heavy objects on the appliance.
30. Make sure the appliance is disconnected from mains power when not in use or moving.
31. Do not place machine directly under the power outlet.
32. When Oscillation function is ON, do not attempt to change the orientation manually to avoid damage to the fan.

FOR HOUSEHOLD USE ONLY

READ and SAVE These Instructions

PARTS



1. Air outlet
2. LED lamp
3. Display
4. ON/OFF Button
5. Oscillating stand

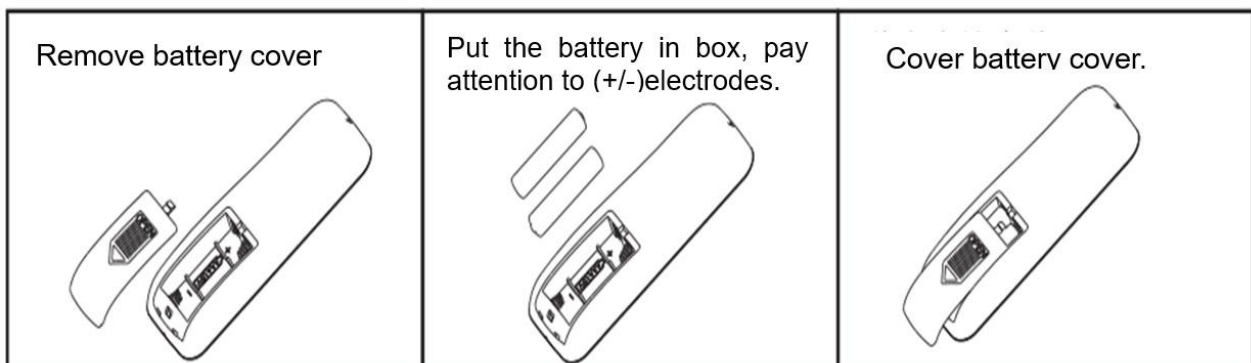
REMOTE CONTROL

Note: require 2x AAA batteries (not included)

The bladeless fan comes with an infrared wireless remote control for your convenience.

To install the batteries, first remove the battery cover on the remote control by sliding the battery cover back. Install the batteries in correct polarity inside the battery compartment matching the polarity shown and then refit the battery compartment cover securely.

Battery type: "1.5V 2x AAA". Alkaline batteries recommended.



To prevent overheating DO NOT mix new and old batteries in the remote control.

To prevent corrosion, remove the batteries if the remote control is not used for a long period of time.

FUNCTIONS

1. Speed+ / Speed- button

Each press of "Speed+/-" button advances the Speed setting and indicated on the fan display.

Fan speed will cycle from 1 (Lo), 2 (Med) and 3 (High).

2. Timer+ / Timer- button

This function sets the duration of operation before the fan automatically turns OFF.

Each press of "Timer+/-" button will increase or decrease the time of operation by 1 hour. Maximum timer setting is 9 hours, timer setting selected is indicated on the fan display. (i.e. 1h-2h-3h.....9h)

The timer will count down until the time has expired, then the fan will switch off automatically.

To cancel the timer, press "Timer+/-" button until it cycles back to no timer display is shown on the fan display.

3. Light button: Turn On/Off the LED light.

4. OSC button: Turn On/Off the oscillation function.

5. Screen off button: Turn On/Off the display screen on the fan.

6. (On/Off button): Press once to Turn On the fan; press second time to Turn Off.



CARE AND CLEANING

- Switch OFF and make sure to unplug the unit from mains power prior to cleaning.
- Clean the body with a clean, damp cloth and wipe dry.
- Never spray with liquids or submerge the Fan in water or any other liquid.
- Do not use flammable liquids, chemicals, abrasive cleaners, steel wool or scouring pads for cleaning.

STORAGE

- Switch OFF and unplug the unit from mains power.
- Coil the power cable loosely. Do not kink or pull the cable tight.
- Remove the batteries from the remote control if not used for a long period of time.
- Store in a cool dry well-ventilated area in the original box if possible.

SPECIFICATIONS

Model No.	LW03-19AR
Voltage	220-240V
Frequency	50Hz
Rated Power	65W

12 Month Warranty

Thank you for your purchase from Kmart.

Kmart Australia Ltd warrants your new product to be free from defects in materials and workmanship for the period stated above, from the date of purchase, provided that the product is used in accordance with accompanying recommendations or instructions where provided. This warranty is in addition to your rights under the Australian Consumer Law.

Kmart will provide you with your choice of a refund, repair or exchange (where possible) for this product if it becomes defective within the warranty period. Kmart will bear the reasonable expense of claiming the warranty. This warranty will no longer apply where the defect is a result of alteration, accident, misuse, abuse or neglect.

Please retain your receipt as proof of purchase and contact our Customer Service Centre on 1800 124 125 (Australia) or 0800 945 995 (New Zealand) or alternatively, via Customer Help at Kmart.com.au for any difficulties with your product. Warranty claims and claims for expense incurred in returning this product can be addressed to our Customer Service Centre at 690 Springvale Rd, Mulgrave Vic 3170.

Our goods come with guarantees that cannot be excluded under the Australian Consumer Law. You are entitled to a replacement or refund for a major failure and compensation for any other reasonably foreseeable loss or damage. You are also entitled to have the goods repaired or replaced if the goods fail to be of acceptable quality and the failure does not amount to a major failure.

For New Zealand customers, this warranty is in addition to statutory rights observed under New Zealand legislation.