

Assembly Instructions

Parts List:

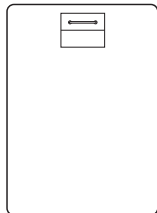
A



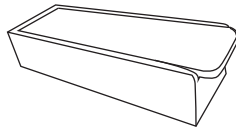
X24



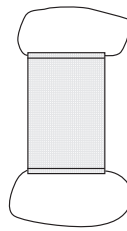
X5



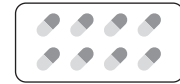
X1



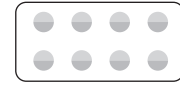
X1



X1



X1



X1



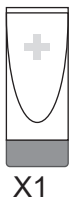
X1



X1



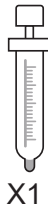
X1



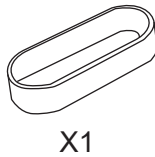
X1



X1



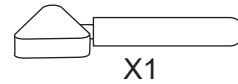
X1



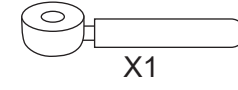
X1



X1

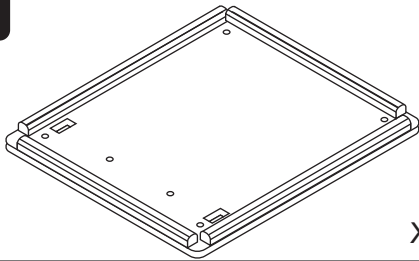


X1



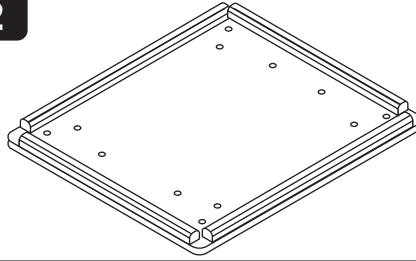
X1

1



X1

2



X1

3



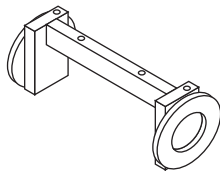
X4

4



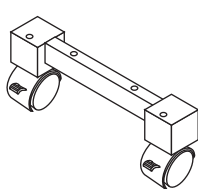
X1

5



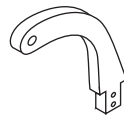
X1

6



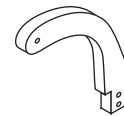
X1

7



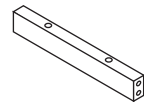
X1

8



X1

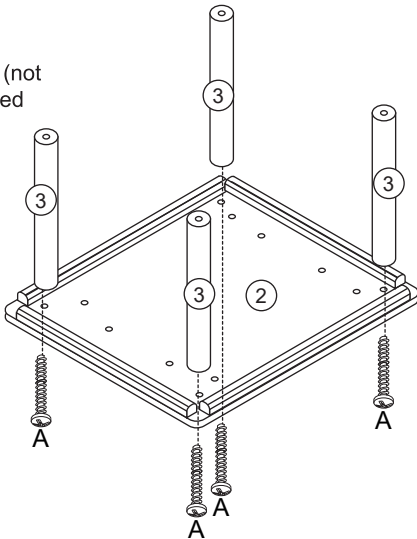
9



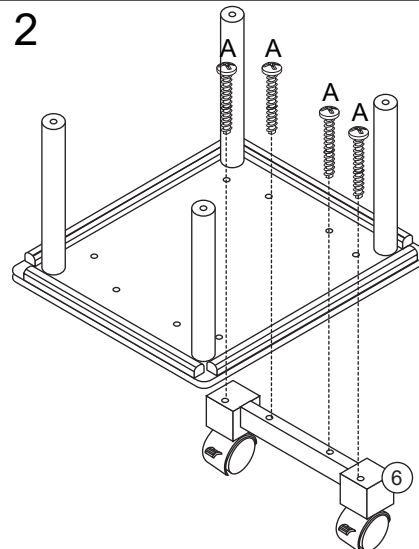
X1

Step 1

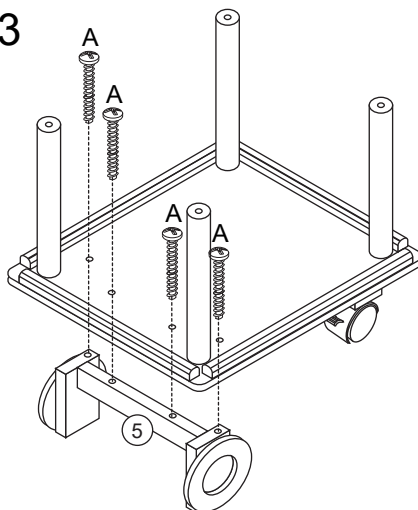
The following tool (not included) is required for assembly:



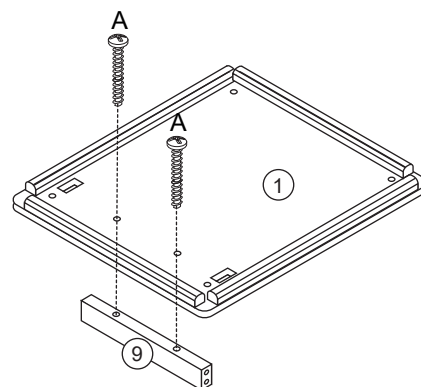
Step 2



Step 3

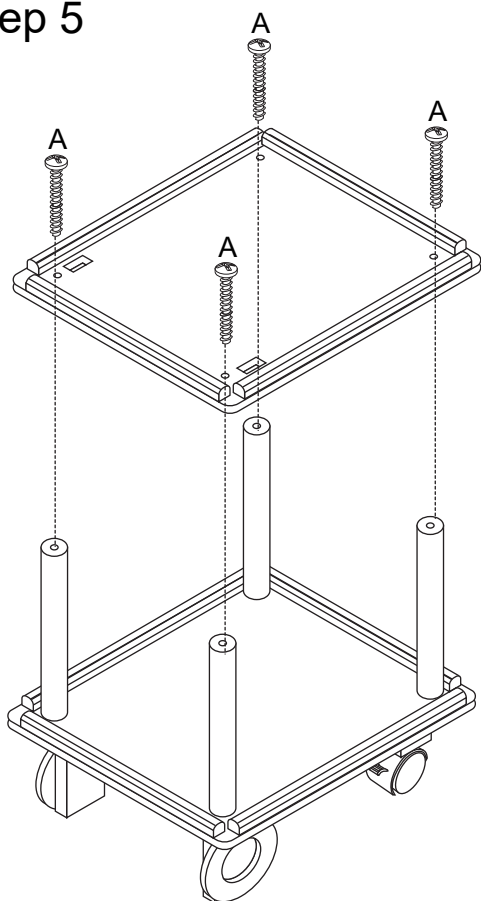


Step 4

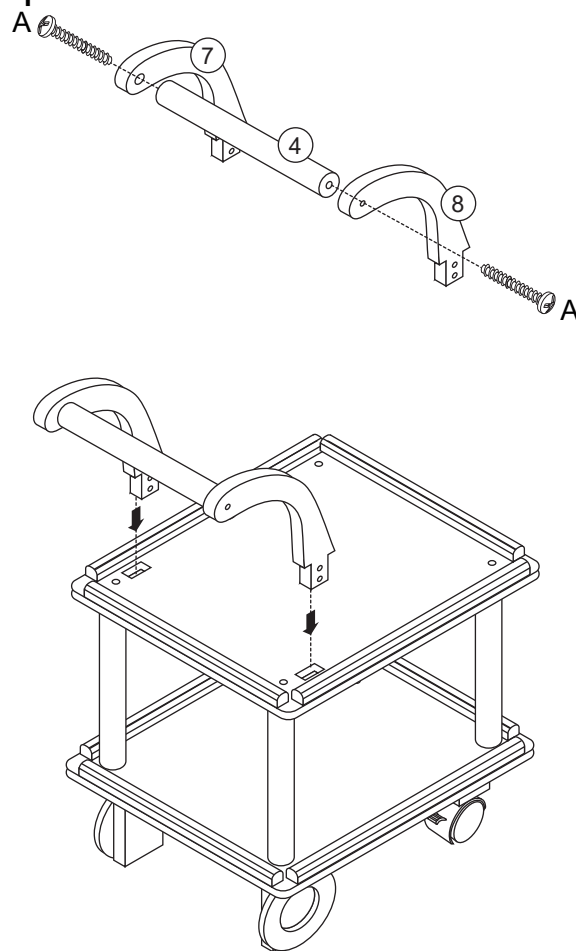


Assembly Instructions

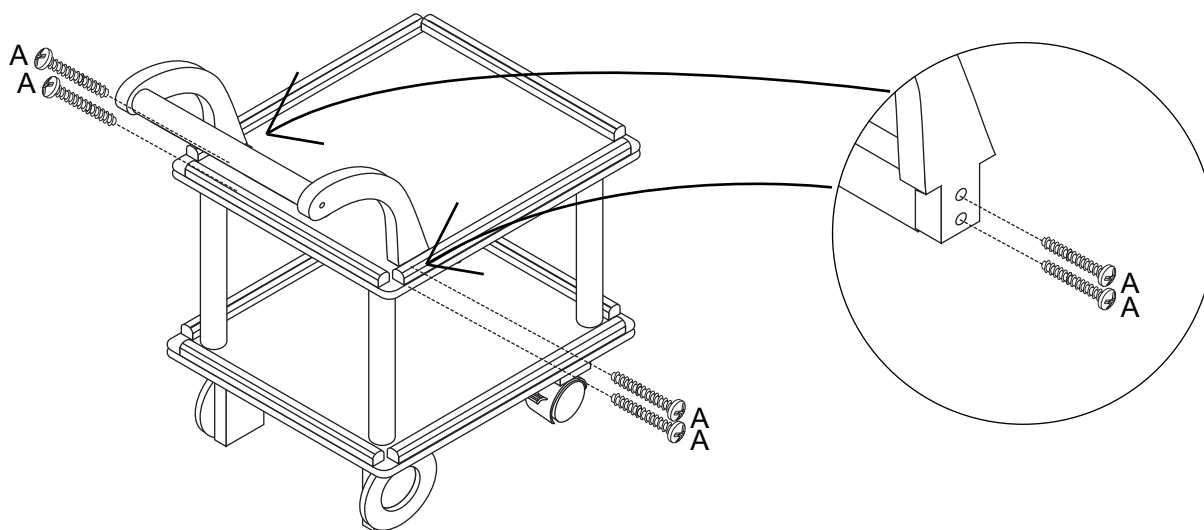
Step 5



Step 6



Step 7



Caution: Adult assembly is required. Hardware contains small screws with functional sharp points. Keep unassembled parts out of the reach of small children.

Caution: Please check condition of item regularly, as screws may loosen with use over time. Tighten screw fittings if necessary. Adult supervision is recommended. Do not play with this item near stairs, slopes etc.

Warning: Choking hazard-small parts. Not suitable for children under 3 years.