

# Instruction Manual

## Swag 1p Flat Pack

( Keycode:42914877 )

### Product Image-



### Parts list-

No.	Part name	Quantity	Image
1	Swag body	X1	
2	Fibreglass poles A	X1	
3	Fibreglass poles B	X1	
4	Foam mattress	X1	
5	Guy rope	X3	
6	Pegs	X10	

Please read all instructions carefully and make sure you have all parts before starting to assemble.

### Assembly steps-

#### Step 1,

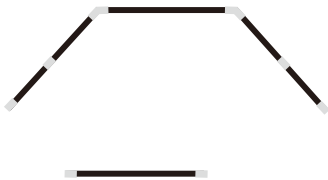


Take out the fibreglass poles from bag. Assemble the poles by each section joined together with ferrule.



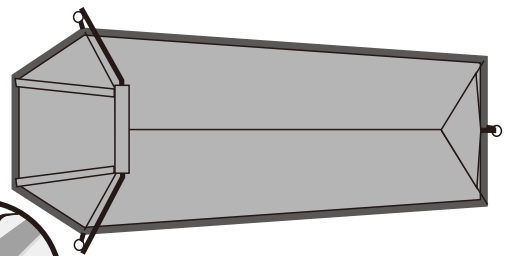
Pole A

Pole B



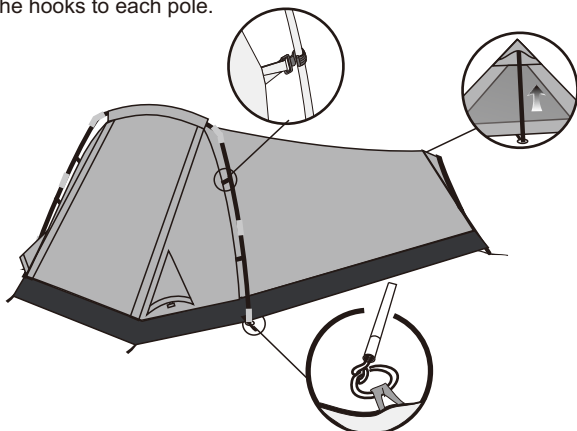
#### Step 2,

Spread out the swag. Insert the pole A through the pole sleeve on the swag.



#### Step 3,

Erect the swag with pole arch and insert the pole end with pin into the right at the bottom of each tent corner. Erect the pole B in rear. Attach the hooks to each pole.



#### Step 4,

Secure the pre-attached guy rope and peg down. Spread out the foam mattress, put into swag on the bottom. The swag is complete.



# Warning -

- KEEP ALL FLAME AND HEAT SOURCE AWAY FROM THIS TENT FABRIC.
- DO NOT USE CANDLE, MATCHES OR OPEN FLAME OF ANY KIND IN OR NEAR THE TENT.
- DO NOT COOK INSIDE THE TENT.
- DO NOT SMOKE IN THE TENT.
- DO NOT STORE FLAMMABLE LIQUIDS INSIDE THE TENT.
- EXTINGUISH OR TURN OFF ALL LANTERNS BEFORE GOING TO SLEEP.
- CHOOSE A LEVEL SITE TO ERECT TENT THAT IS CLEAR FROM OVERHANGING BRANCHES AND NOT IN LOW LYING AREAS THAT COULD BE SUBJECT TO FLOODING.

# Care instruction-

- WIPE CLEAN WITH A DAMP CLOTH.
- DO NOT USE ABRASIVE MATERIALS AND SOLVENTS.
- ENSURE TENT IS CLEAN & DRY BEFORE PACKING OR STORING TO PREVENT DAMAGE FROM MOULD & MILDEW.

Made In China