

Assembly Instructions

42917106 BENCH PREP TROLLEY










CARE INSTRUCTIONS:








WIPE CLEAN WITH SOFT DAMP CLOTH. DO NOT USE SCOURERS, ABRASIVES OR CHEMICAL SOLVENTS. CHECK AND TIGHTEN ALL PARTS REGULARLY. STORE IN A DRY PLACE AND KEEP AWAY FROM DIRECT WATER AND SUNLIGHT. FOR INDOOR AND DOMESTIC USE ONLY.

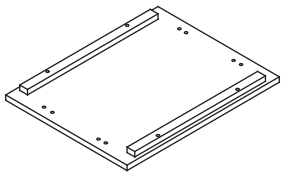
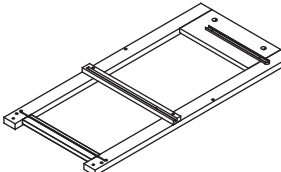
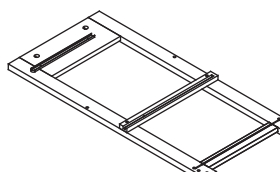
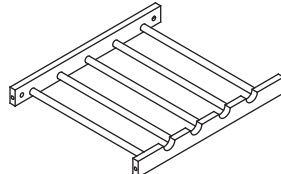

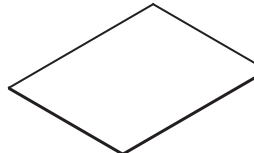
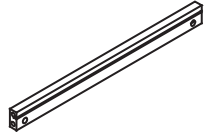
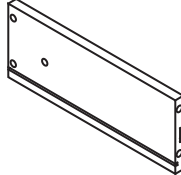
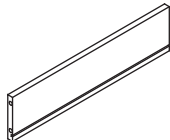
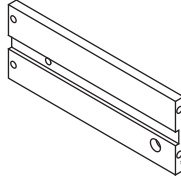
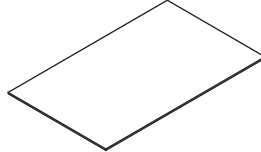
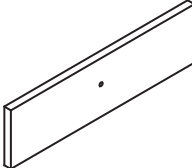
WARNING:

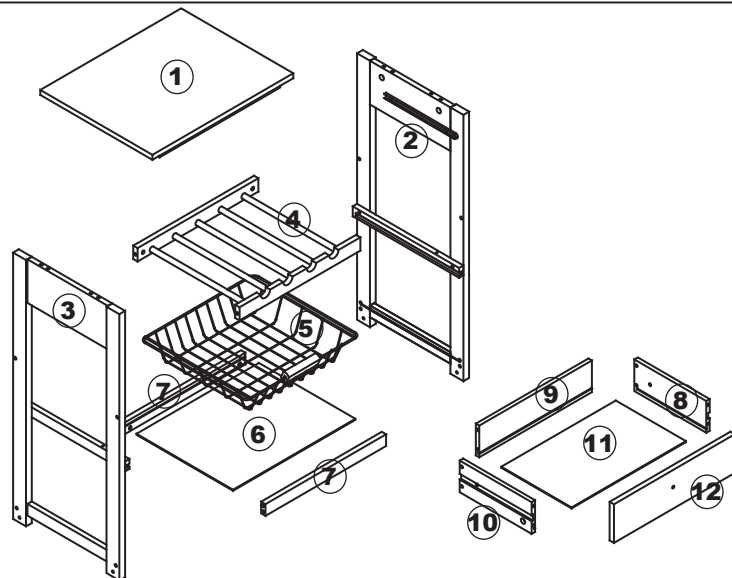
DO NOT STAND ON THE PRODUCT. DO NOT USE THE PRODUCT AS A STEP LADDER. DO NOT USE THE PRODUCT UNLESS ALL BOLTS AND SCREWS ARE FIRMLY SECURED. ALWAYS SET ASSEMBLY REQUIRED. FAILURE TO FOLLOW THESE WARNING COULD RESULT IN SERIOUS INJURY. MAXIMUM SAFE LOAD: 10KG TOP PANEL, 2KG FOR DRAWER, 3KG FOR WINESHELF, 3KG FOR WIRE BASKET, 3KG FOR BOTTOM SHELF.

Hardware list

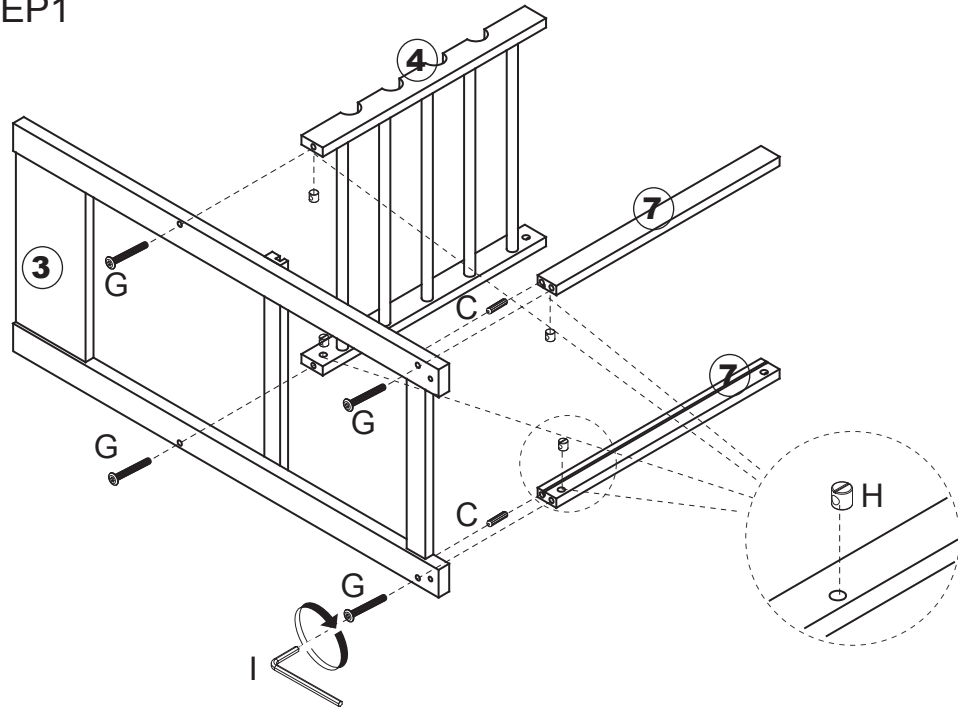
| | | | |
|---|---|-----------|-------|
|  | A | 6*30mm | 6PCS |
|  | B | 15*12mm | 6PCS |
|  | C | 6*30mm | 10PCS |
|  | D | 4*35mm | 4PCS |
|  | E | Handle | 1PC |
|  | F | 4*16mm | 1PC |
|  | G | 6*40mm | 8PCS |
|  | H | 10*10mm | 8PCS |
|  | I | Allen Key | 1PC |

| | | | |
|---|---|-----------------------|------|
|  | J | Drawer Stopper | 2PCS |
|  | K | Metal Pin | 2PCS |
|  | L | 6*25mm | 4PCS |
|  | M | Nut | 4PCS |
|  | N | Wrench | 1PC |
|  | O | Wheel without stopper | 2PCS |
|  | P | Wheel with stopper | 2PCS |

| | | | | | | | | |
|---|-----------|------|---|-----------|-----|---|-----------|-----|
|  | 1 | 1PC |  | 2 | 1PC |  | 3 | 1PC |
|  | 4 | 1PC |  | 5 | 1PC |  | 6 | 1PC |
|  | 7 | 2PCS |  | 8 | 1PC |  | 9 | 1PC |
|  | 10 | 1PC |  | 11 | 1PC |  | 12 | 1PC |

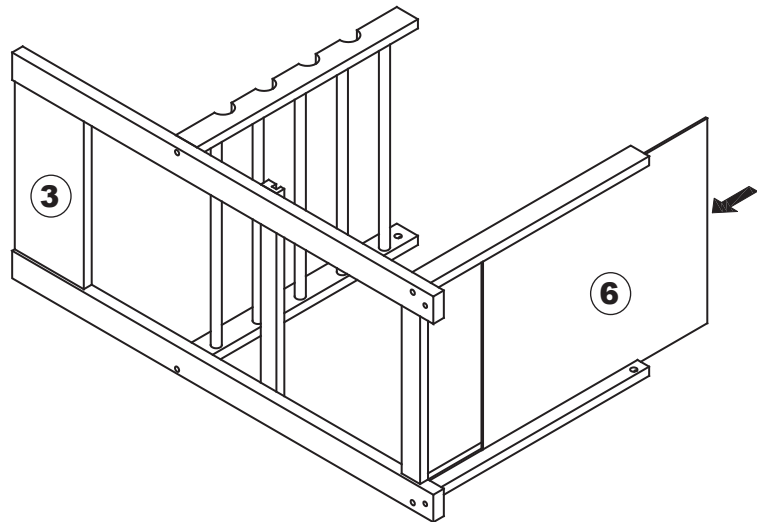


STEP1



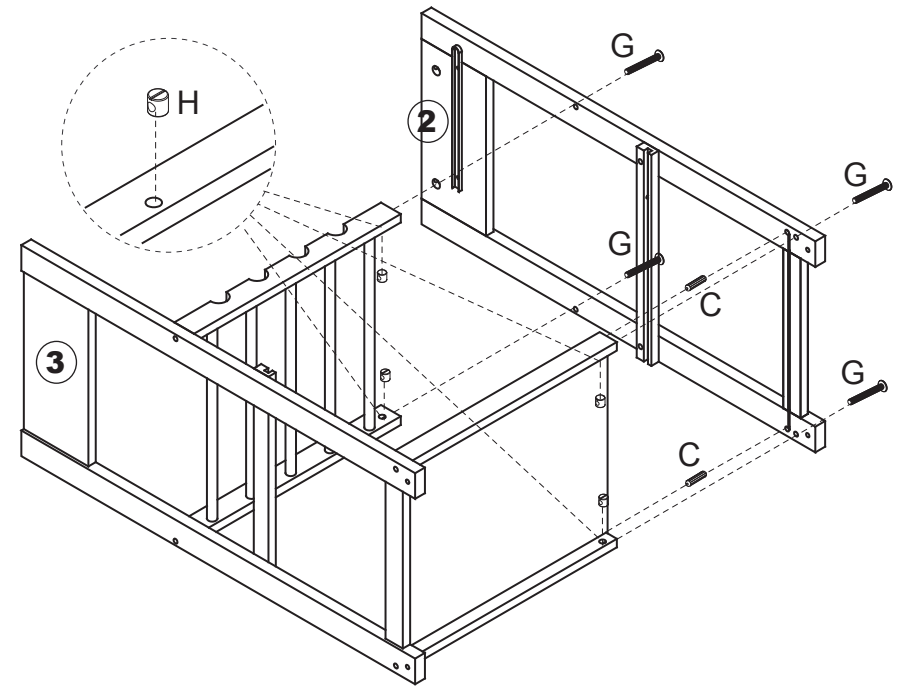
Put H onto board 4&7 into the corresponding position (as per diagram). Put part C on to frame 3 into the corresponding position as per diagram. Attach frame board 4&7 onto frame 3 with screw G. Tighten with Alley key I.

STEP2



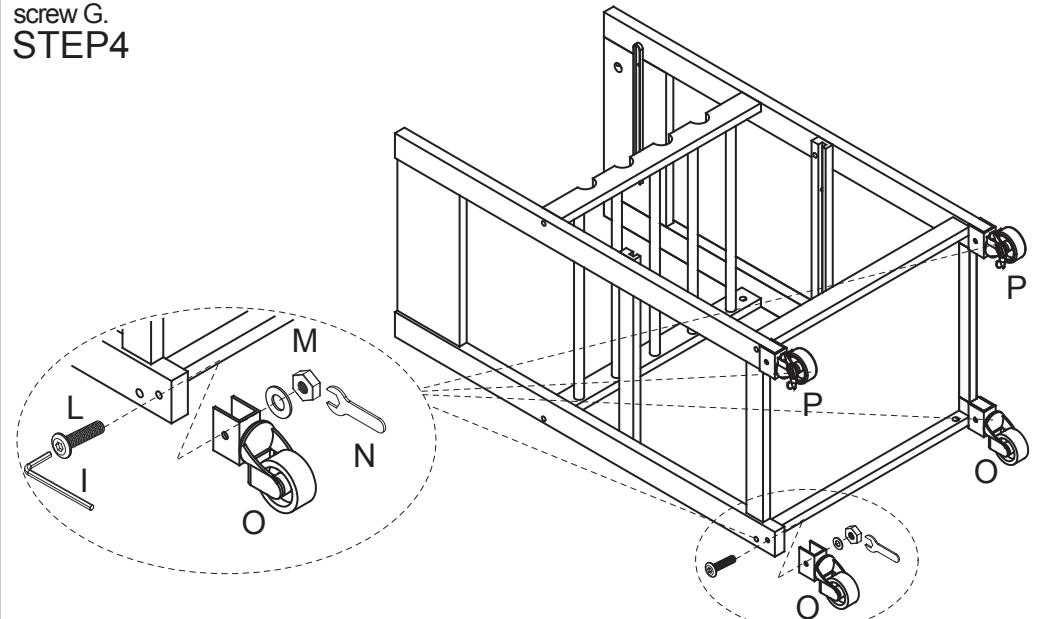
Attach board 6 on to board 7 from step 1.

STEP3



Put H onto board 4&7 into the corresponding position (as per diagram). Put part C on to frame 2 into the corresponding position as per diagram. Attach frame 2 into board 4&7&6 from step 2 with screw G.

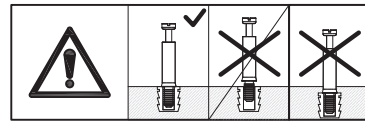
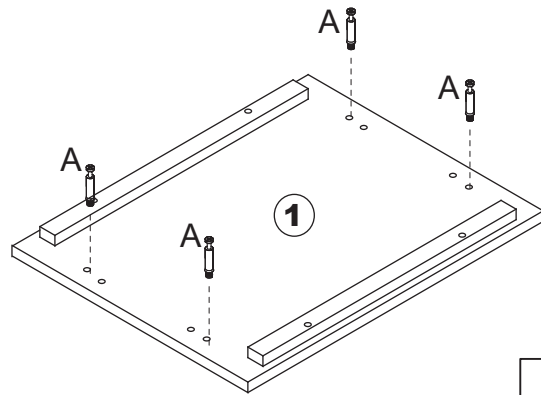
STEP4



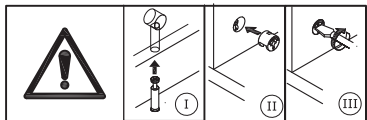
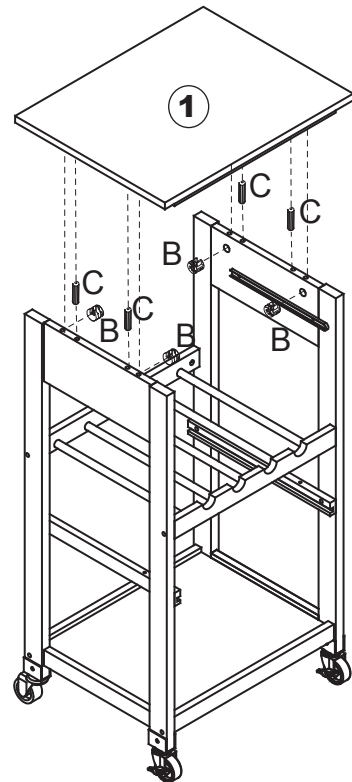
Attach part O & P onto the legs with screw M&L. Tighten with Alley key I. Kindly reminder: Part O is the wheel without stopper. Part P is the wheel with stopper.

Note: use part N onto the nut M to align the part L, tighten with Alley key I.

STEP5

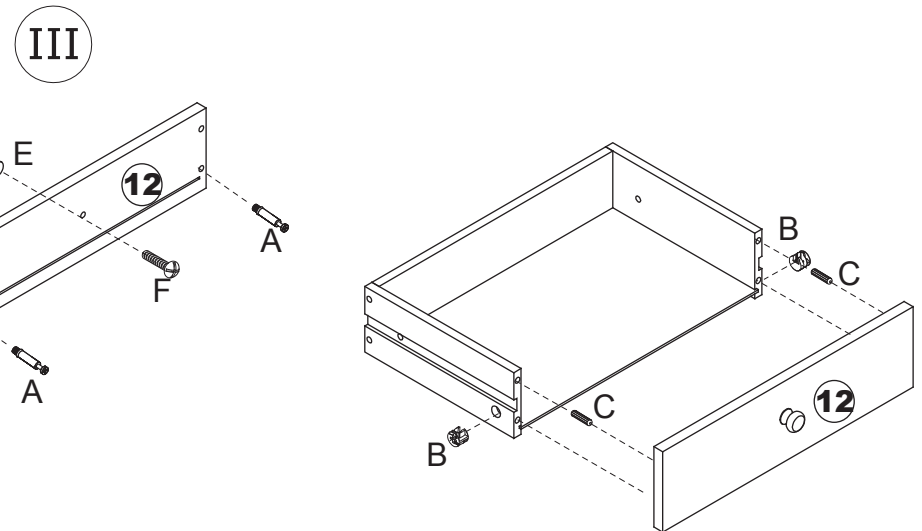
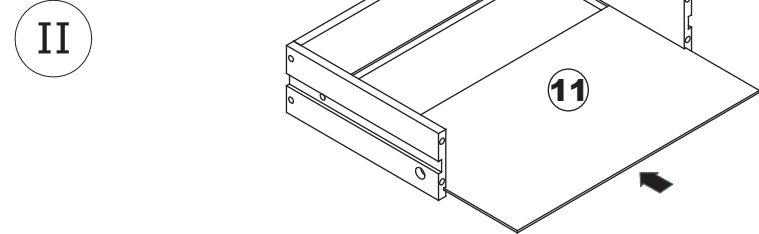
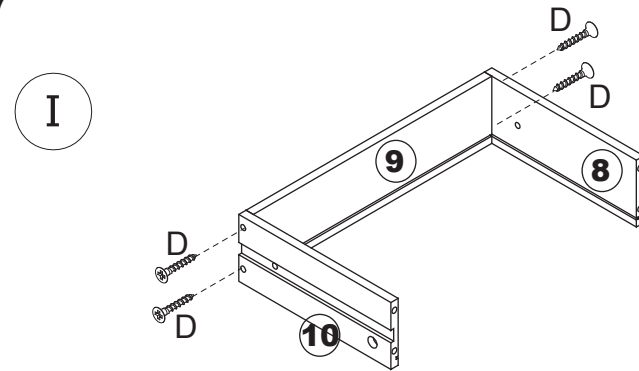


Attach A onto board 1.
STEP6



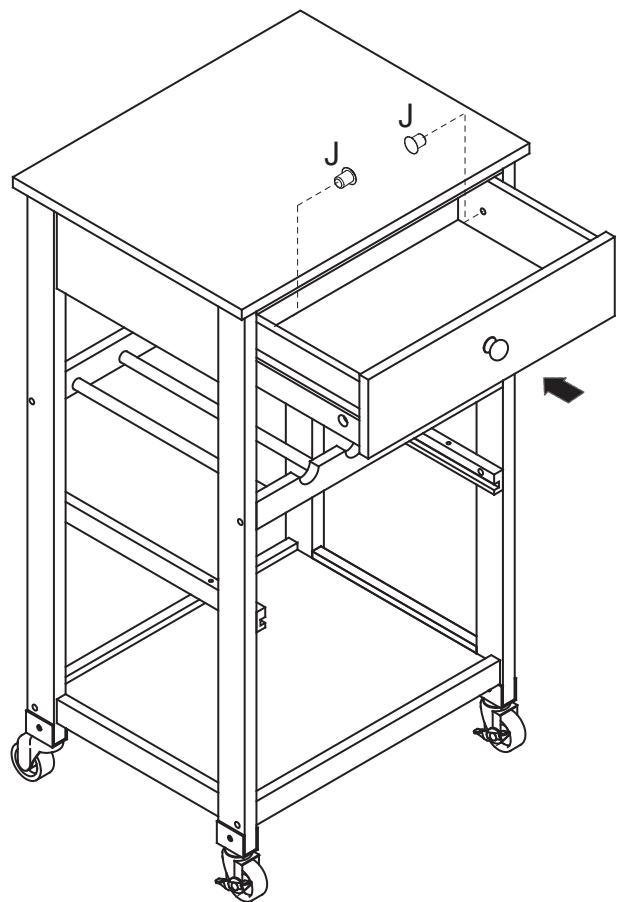
Attach board 1 from step 5 onto frame 2&3 from step 4 with screw B & C. Ensure all parts align.

STEP7



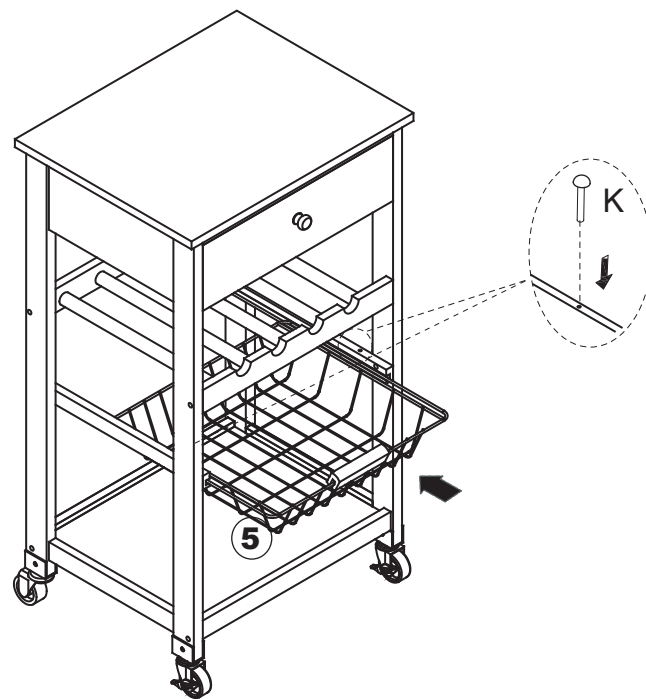
Attach board 8 & 10 onto board 9 with part D. Put board 11 onto board 8 & 10. Fix part A onto board 11, and fix part E onto Board 11 with screw F. Attach board 12 to board 8 & 10 with part B&C.

STEP8



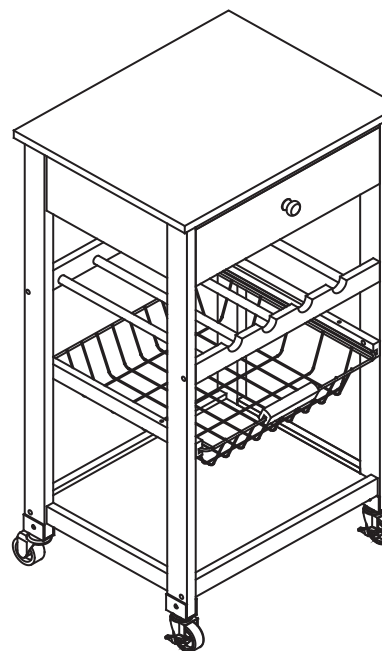
Put drawer from step 7 onto trolley from step 5, when drawer is put into 1/3, then fix J into the corresponding position as per diagram.

STEP9



Put part 5 onto trolley from step 8, then fix K into the corresponding position as per diagram.

STEP10



Finish the assembly.

ATTENTION:
DO NOT TIGHTEN THE SCREWS DURING ASSEMBLY.
FULLY TIGHTEN AFTER THE FINAL ASSEMBLY STEP.