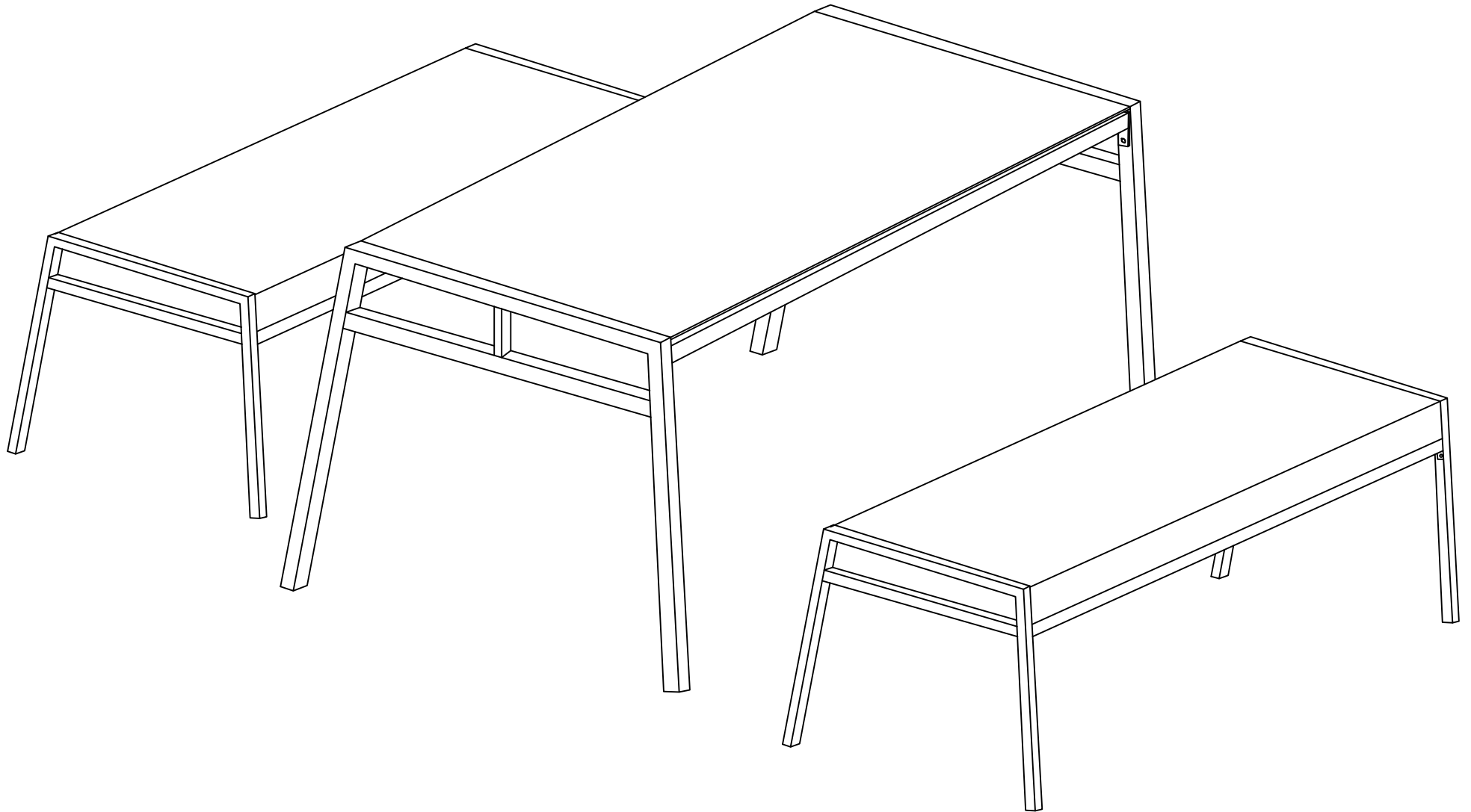

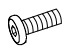
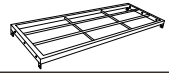
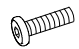





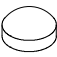


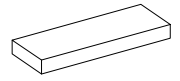


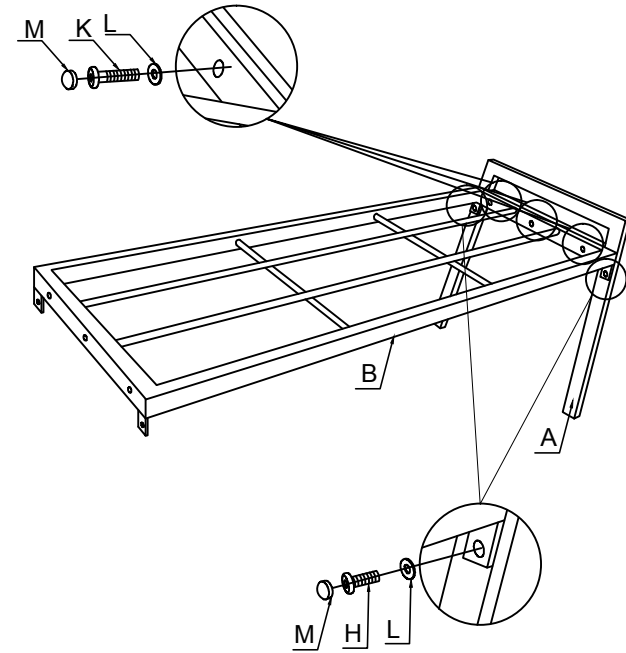
# Assembly Instructions



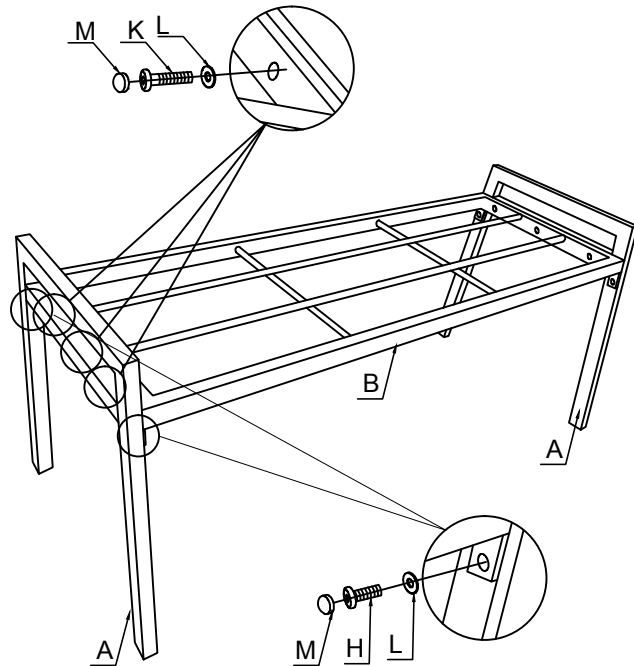
### Hardware List

	A	4PCS		H	M6x15mm	16PCS
	B	2PCS		J	M6x30mm	4PCS
	C	1PC		K	M6x35mm	12PCS
	D	2PCS		L		32PCS
	E	1PC		M		32PCS
	F	2PCS		N		1PC
	G	2PCS				

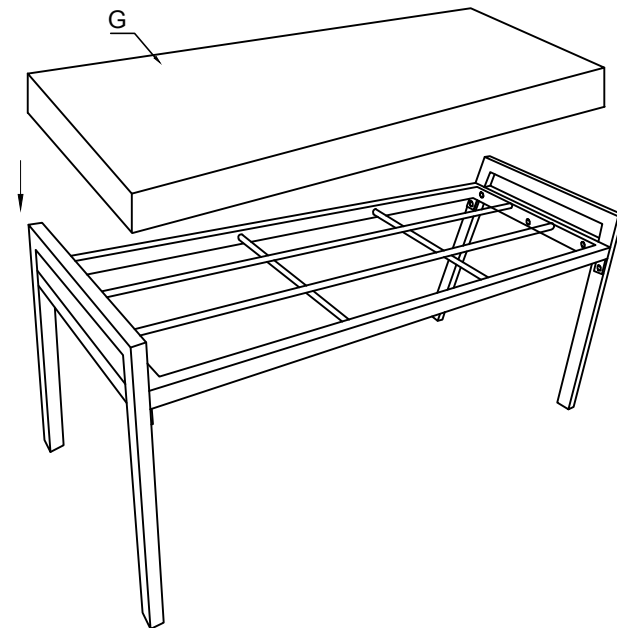
### Step 1



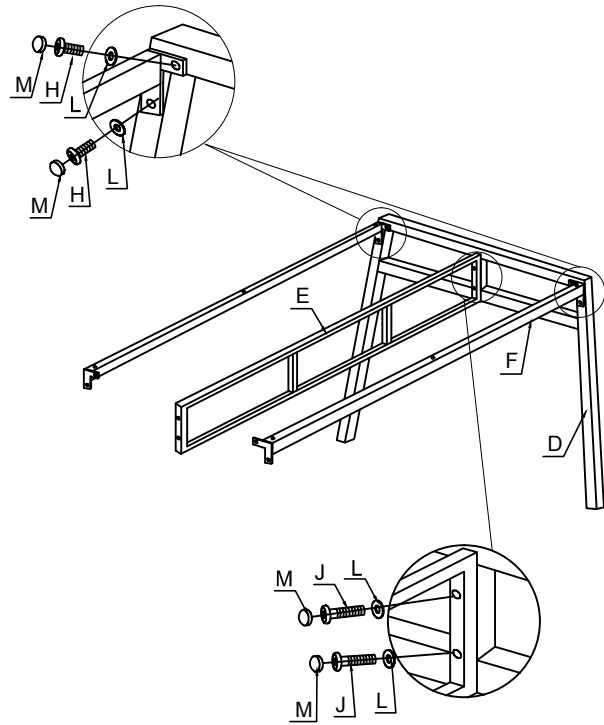
### Step 2



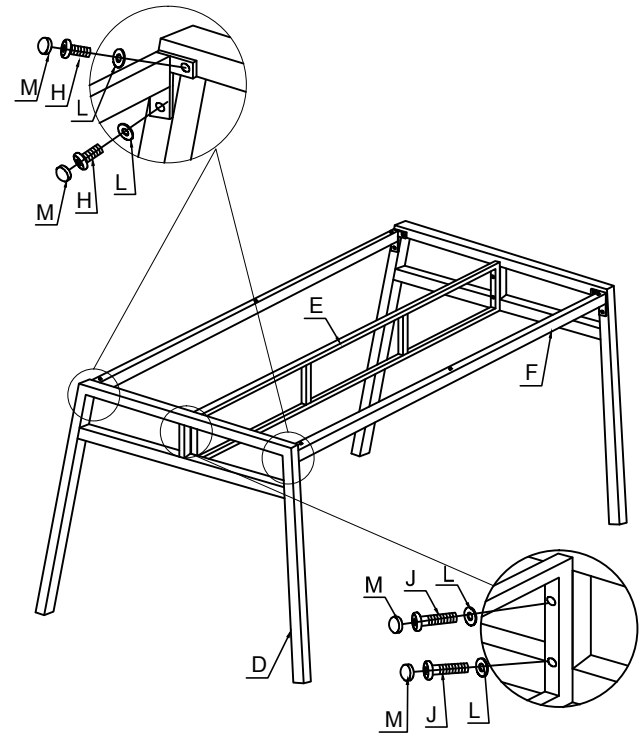
### Step 3



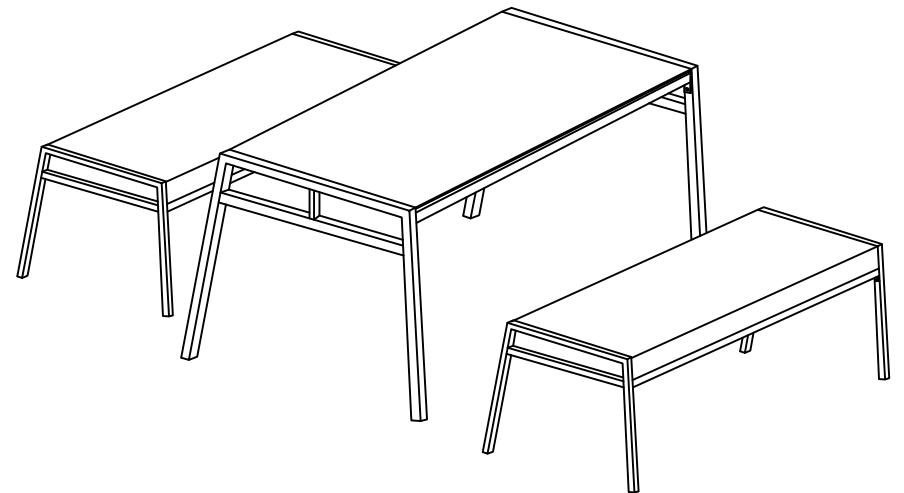
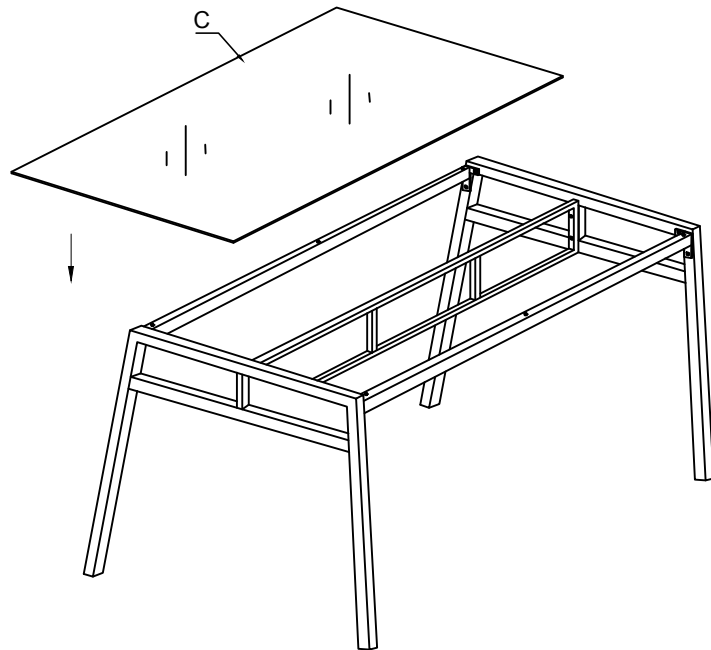
Step 4



Step 5



Step 6



**ATTENTION:**

DO NOT TIGHTEN THE SCREWS FULLY DURING ASSEMBLY.  
FULLY TIGHTEN SCREWS AFTER THE FINAL ASSEMBLY STEP.

**WARNING!**

**WARNING FOR GLASS TABLE**

- 1)DO NOT PLACE VERY HOT OR VERY COLD ITEMS ON THE GLASS SURFACE UNLESS ADEQUATELY THICK TABLE MATS ARE USED TO PREVENT SUCH ITEMS FROM COMING INTO CONTACT WITH THE GLASS.
- 2)DO NOT SIT OR STAND UPON THE GLASS SURFACE.
- 3)DO NOT USE GLASS AS A CHOPPING SURFACE.
- 4)DO NOT STRIKE THE GLASS WITH HARD OR POINTED ITEMS.
- 5)WHEN CLEANING THE GLASS SURFACE USE A DAMP CLOTH WITH LIQUID DETERGENT OR A WINDOW CLEANER. DO NOT USE WASHING POWDERS OR ANY OTHER SUBSTANCES CONTAINING ABRASIVES AS THESE MAY SCRATCH THE GLASS SURFACE.
- 6)DO NOT USE THE TABLE UNLESS ALL BOLTS, SCREWS AND KNOBS ARE FIRMLY SECURED.

**MAXIMUM LOADING WEIGHT: 30KG**

**WARNING FOR CHAIR!**

- 1) DO NOT STAND ON THE CHAIR.
- 2) DO NOT USE THE CHAIR AS A STEP LADDER.
- 3) DO NOT USE THE CHAIR UNLESS ALL BOLTS, SCREWS AND KNOBS ARE FIRMLY SECURED.

**MAXIMUM SEAT SAFE LOAD WEIGHT: AND 200KG/2SEATER**

**FAILURE TO FOLLOW THESE WARNINGS COULD RESULT IN SERIOUS INJURY.**

**FOR DOMESTIC USE ONLY**

**MADE IN CHINA**

**IMPORTED BY KMART AUSTRALIA LIMITED**