

# Assembly Instructions


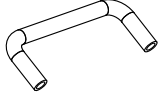
PLEASE READ THE INSTRUCTIONS CAREFULLY. BE SURE YOU HAVE ALL PARTS BEFORE YOU START ASSEMBLING. PLACE ALL FURNITURE PARTS ON A CLEAN AND FLAT SURFACE, SUCH AS CARPET OR RUG TO PREVENT FROM BEING SCRATCHED.





## WARNING:

THIS PACKAGE CONTAINS SMALL PARTS AND SHARP POINTS, KEEP AWAY FROM CHILDREN AND BABIES UNTIL ASSEMBLY IS COMPLETED. ADULT ASSEMBLY REQUIRED. DO NOT SIT OR STAND ON TABLE. AVOID SCRATCHING THE SURFACE. DO NOT KNOCK OR DRAG THE PRODUCT. FAILURE TO FOLLOW THESE WARNINGS COULD RESULT IN SERIOUS INJURY. WHEN CLEANING THE SURFACE USE A DAMP CLOTH OR DRY CLEAN CLOTH. DO NOT USE DETERGENT OR CHEMICAL CLEANERS. AVOID CONTACT WITH WATER AND DIRECT SUNLIGHT. **MAXIMUM SAFE LOAD: 10KGS.**

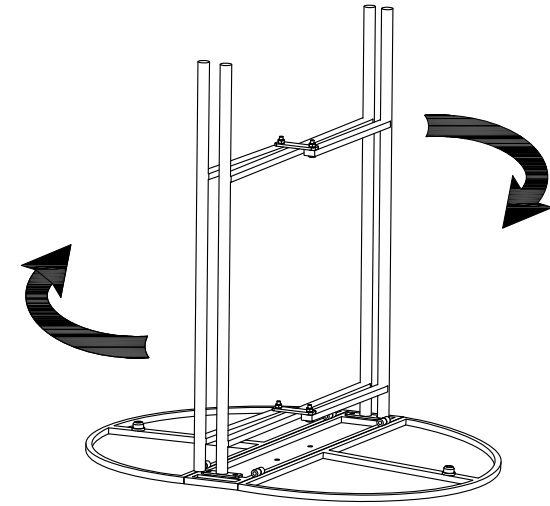
A MILD ODOUR MAY BE PRESENT WHEN FIRST OPENING THIS CARTON. SIMPLY ALLOW TO AIR OUTSIDE AND THIS WILL DISSIPATE.

## Hardware List

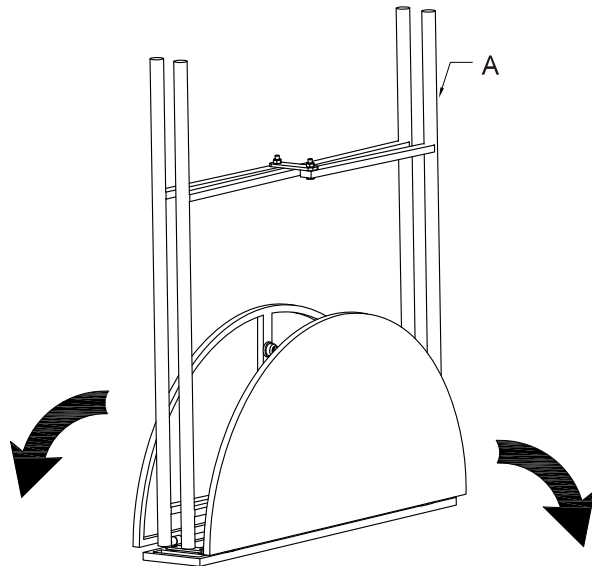
	A	1PC
	B	1PC

	C	M6x12mm	2PCS
	D		2PCS
	E		2PCS
	F		1PCS

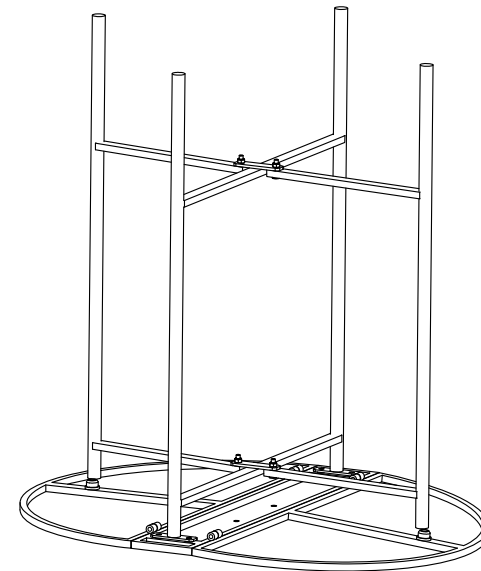
## Step 2



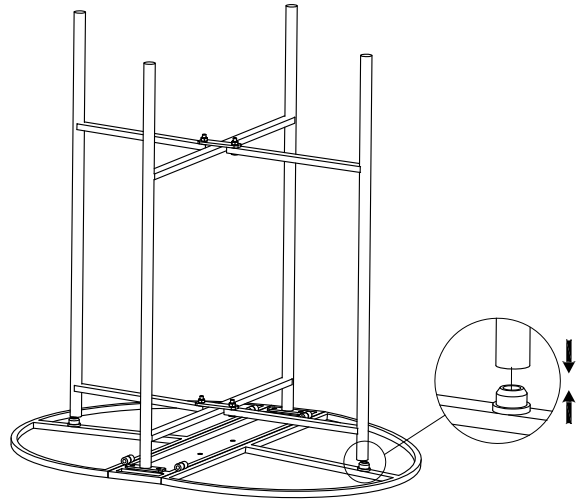
## Step 1



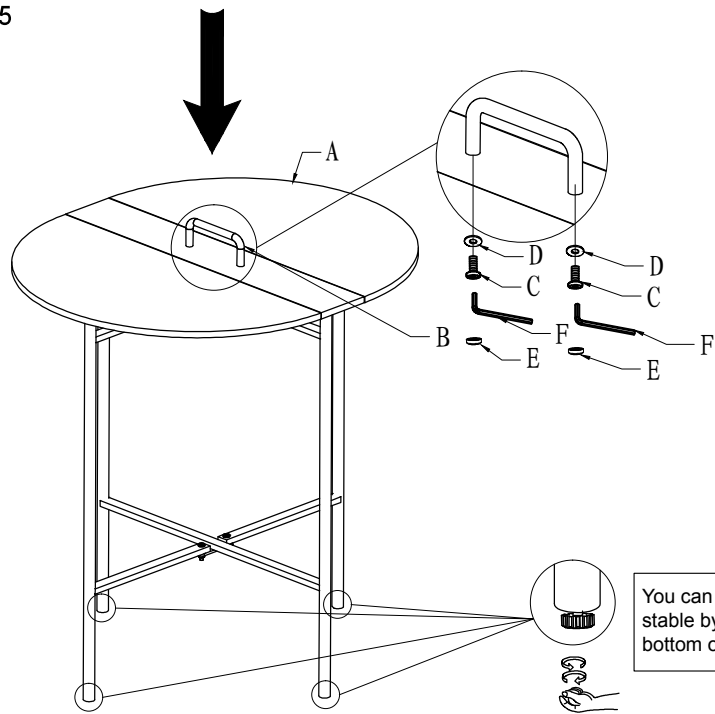
## Step 3



Step 4



Step 5



You can make the whole product more stable by adjusting the knob on the bottom of the foot tube

