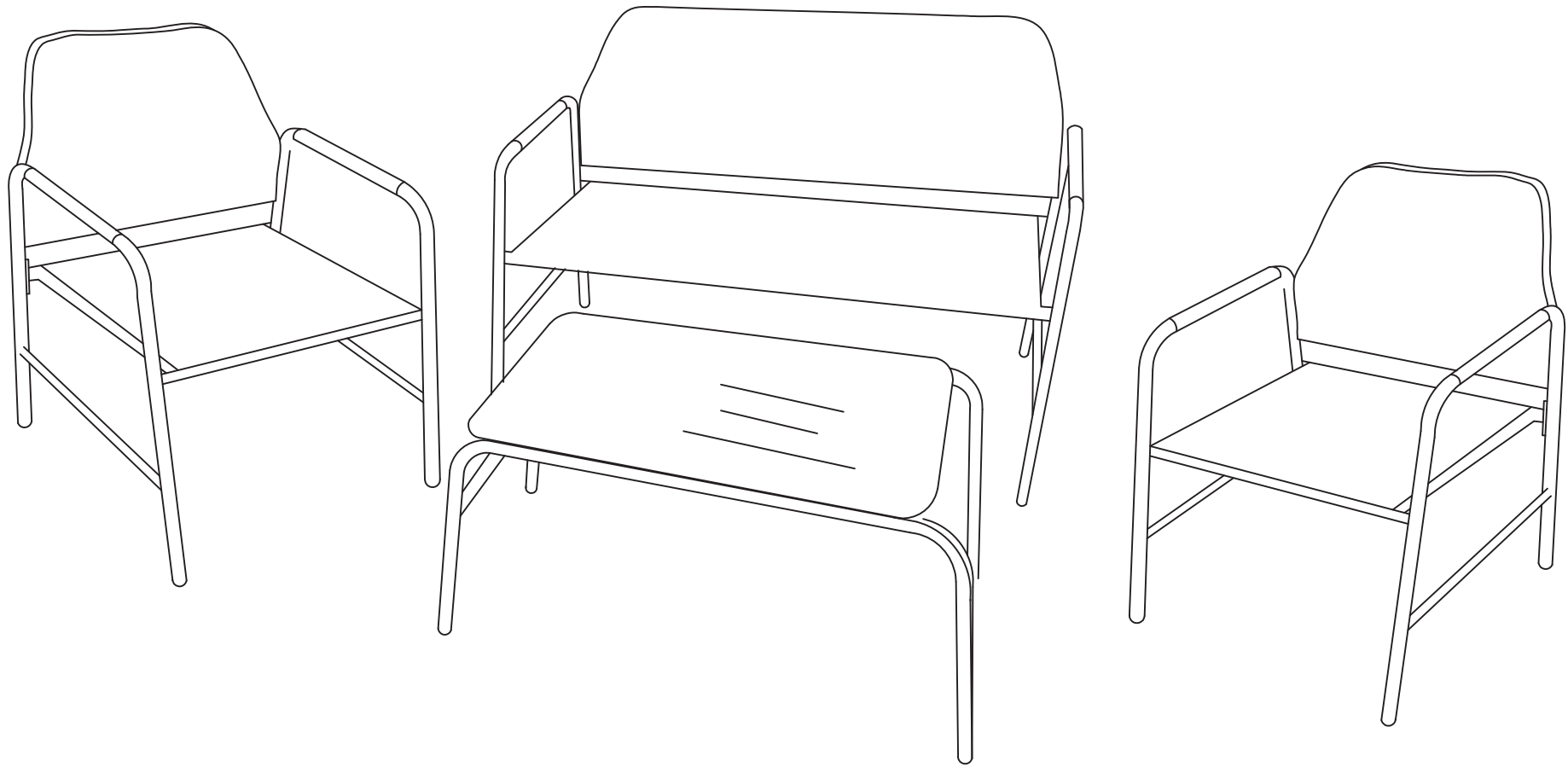


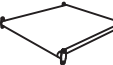




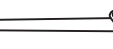








# Assembly Instructions

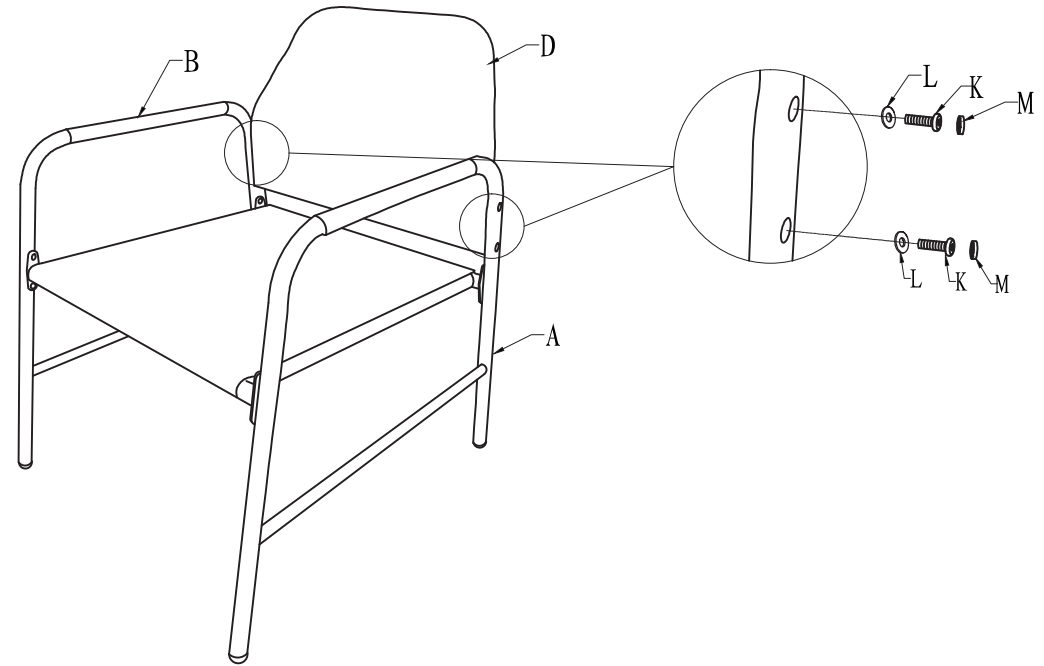


### Hardware List

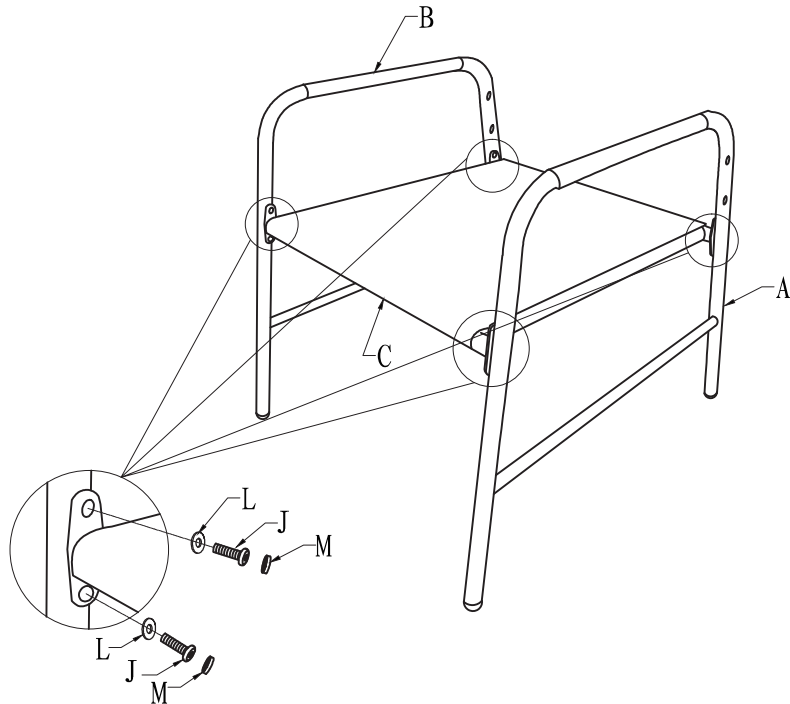
	A	3PCS
	B	3PCS
	C	2PCS
	D	2PCS
	E	1PCS
	F	1PCS
	G	2PCS
	H	2PCS

	I		1PCS
	J	M6x15mm	32PCS
	K	M6x35mm	12PCS
	L		44PCS
	M		44PCS
	N		1PCS

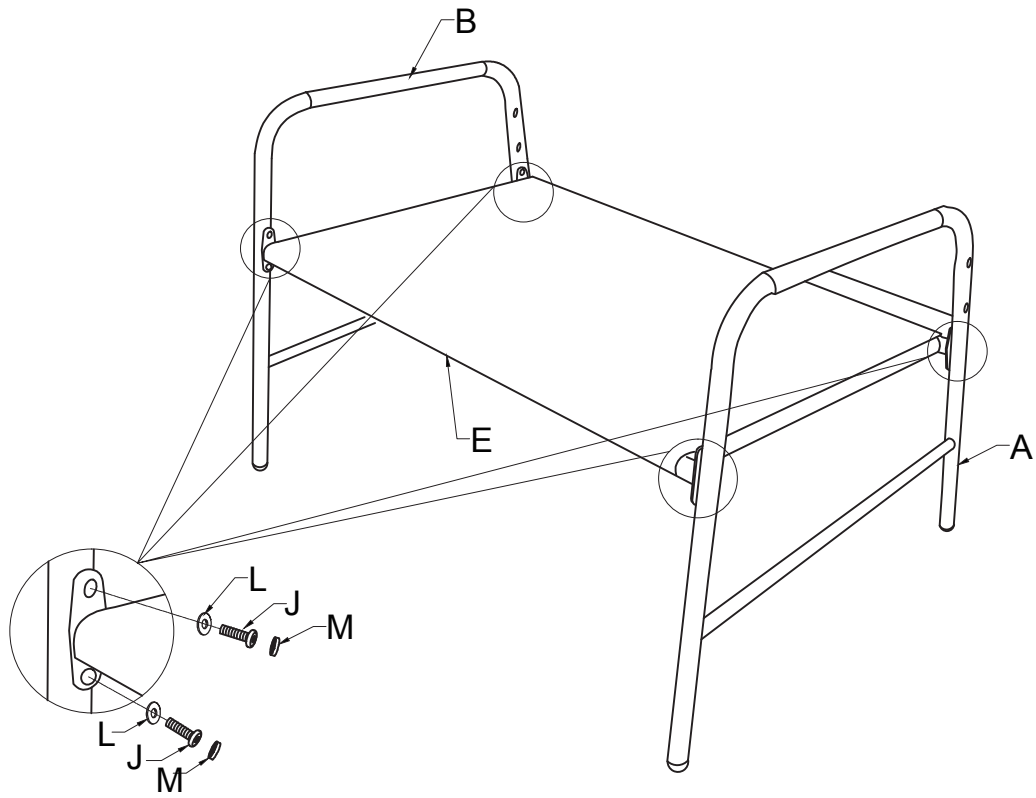
### Step:2



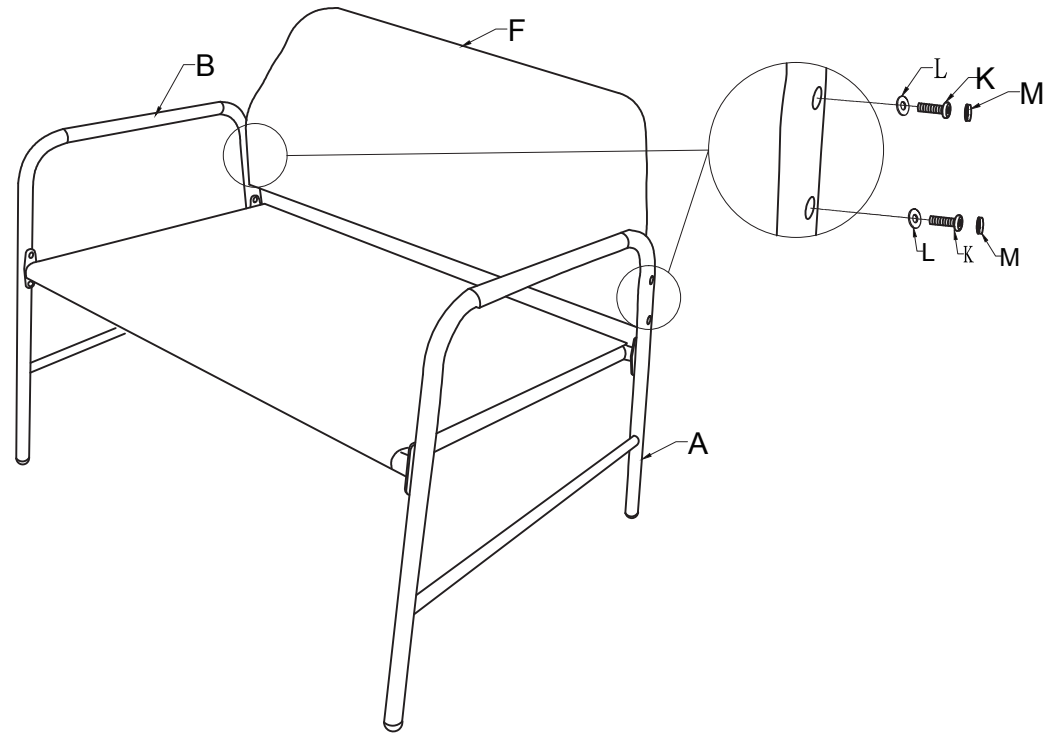
### Step:1



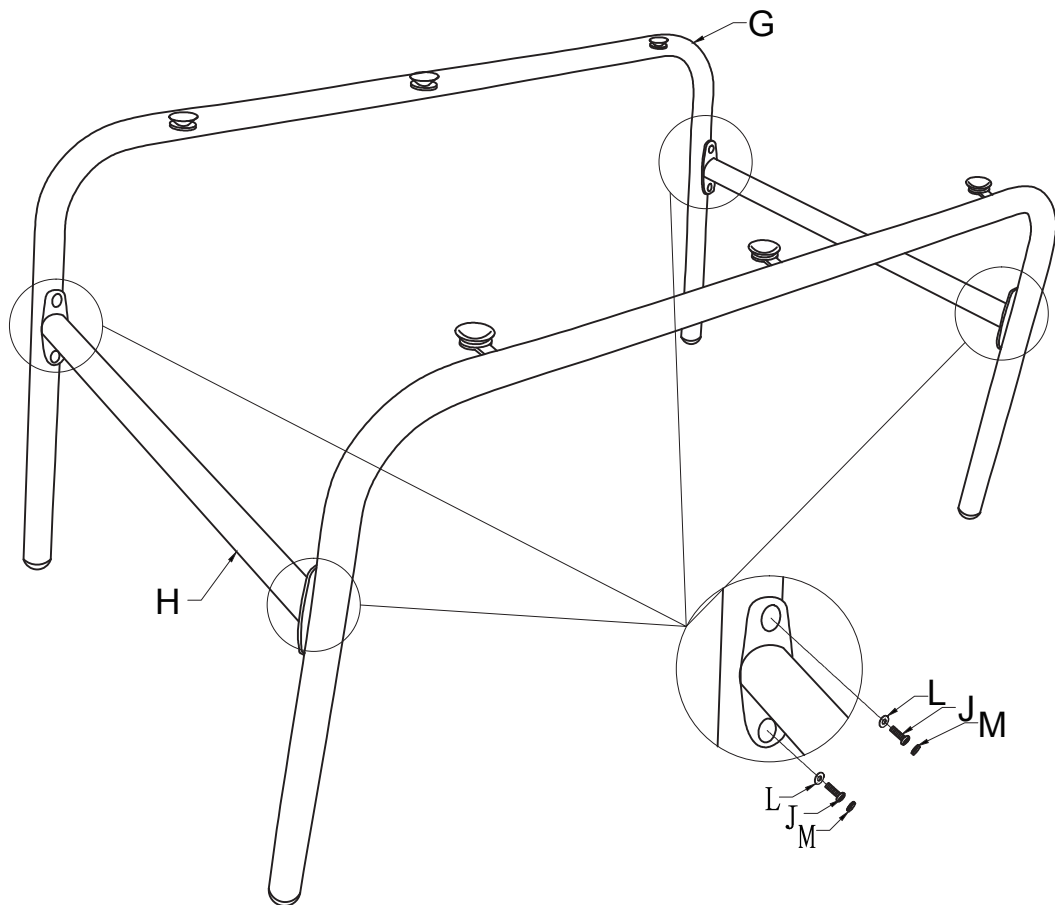
### STEP 3



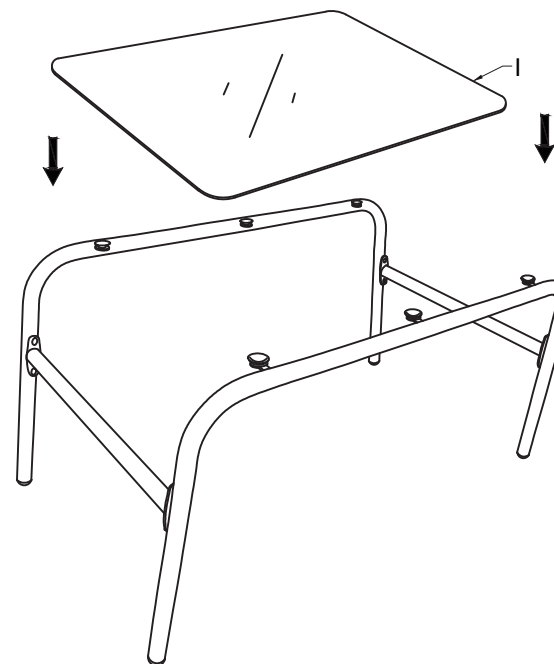
### STEP 4



## STEP5



## STEP6



### ATTENTION:

DO NOT TIGHTEN THE SCREWS FULLY DURING ASSEMBLY. FULLY TIGHTEN SCREWS AFTER THE FINAL ASSEMBLY STEP.

### WARNING FOR GLASS TABLE

- 1)DO NOT PLACE VERY HOT OR VERY COLD ITEMS ON THE GLASS SURFACE UNLESS ADEQUATELY THICK TABLE MATS ARE USED TO PREVENT SUCH ITEMS FROM COMING INTO CONTACT WITH THE GLASS.
- 2)DO NOT SIT OR STAND UPON THE GLASS SURFACE.
- 3)DO NOT USE GLASS AS A CHOPPING SURFACE.
- 4)DO NOT STRIKE THE GLASS WITH HARD OR POINTED ITEMS.
- 5)WHEN CLEANING THE GLASS SURFACE USE A DAMP CLOTH WITH LIQUID DETERGENT OR A WINDOWCLEANER. DO NOT USE WASHING POWDERS OR ANY OTHER SUBSTANCES CONTAINING ABRASIVES AS THESE MAY SCRATCH THE GLASS SURFACE.
- 6)DO NOT USE THE TABLE UNLESS ALL BOLTS, SCREWS AND KNOBS ARE FIRMLY SECURED.

**MAXIMUM LOADING WEIGHT: 25KG**

### WARNING FOR CHAIR!

- 1) DO NOT STAND ON THE CHAIR.
- 2) DO NOT USE THE CHAIR AS A STEP LADDER.
- 3) DO NOT SIT ON THE ARMREST.
- 4) DO NOT USE THE CHAIR UNLESS ALL BOLTS, SCREWS AND KNOBS ARE FIRMLY SECURED.

**MAXIMUM SEAT SAFE LOAD WEIGHT: 100KG/CHAIR AND 200KG / 2 SEATER**  
**FAILURE TO FOLLOW THESE WARNINGS COULD RESULT IN SERIOUS INJURY.**

**FOR DOMESTIC USE ONLY**

**MADE IN CHINA**

**IMPORTED BY KMART AUSTRALIA LIMITED**