

anko

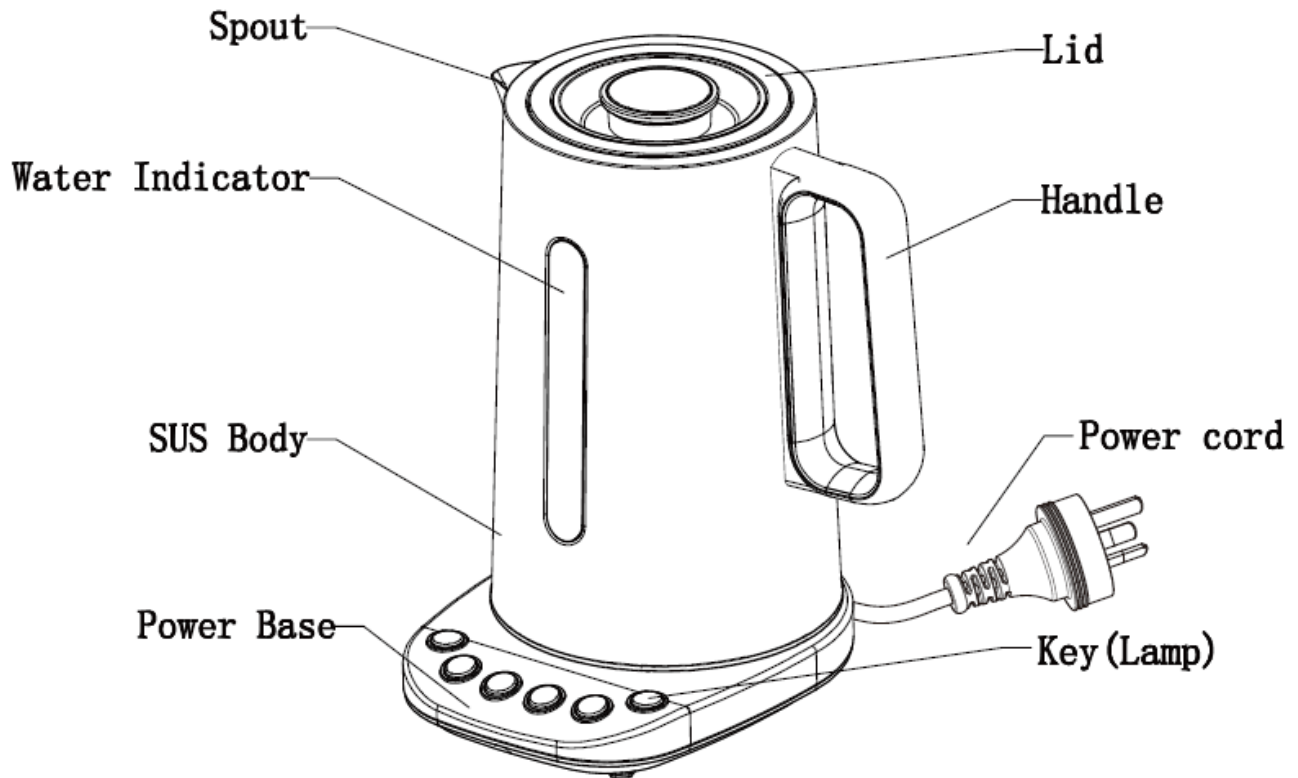
**Wi-fi Cordless Water Kettle
LD-K3068**

User Manual



**PLEASE READ AND SAVE THESE
INSTRUCTIONS FOR FUTURE REFERENCE**

PARTS DESCRIPTION



TECHNICAL DATA

Specifications:

Voltage : 220-240V~

Frequency : 50-60 Hz

Wattage : 1850-2200W

Rating Capacity : 1.7L

SAFETY INSTRUCTIONS

Intended use

- The kettle is intended solely for boiling water. Heating milk, carbonated drinks or other liquids will cause malfunction or damage the appliance.
- The appliance is intended for household use only and not suitable for commercial purposes.

DANGER to children and infirm persons

- Appliances can be used by persons with reduced physical, sensory or mental capabilities or lack of experience and knowledge if they have been given supervision or instructions concerning use of the appliance in a safe way and understand the hazards involved.
- Children should be supervised to ensure that they do not play with the appliance.
- Keep packing material out of reach of young children. There is a risk of suffocation!
- This appliance is intended to be used in household and similar applications such as:
 - staff kitchen areas in shops, offices and other working environments
 - farmhouses
 - by clients in hotels, motels and other residential type environments
 - bed and breakfast type environments

CAUTION: Do not operate the kettle on an inclined plane. Do not operate the kettle unless there is water above the minimum water level mark. Do not move while the kettle is switched ON.

CAUTION: To prevent damage to the appliance do not use alkaline cleaning agents when cleaning, use a soft damp cloth and a mild detergent.

DANGER due to electricity

- If the supply cord is damaged, it must be replaced by a qualified electrician in order to avoid a hazard or the product must be disposed.
- For electrical safety, the power base, plug and mains cord must not come into contact with water or other liquids. You should therefore, for example, not place the kettle near a sink.
- Do not use the kettle outdoors.
- The appliance should never be immersed in water or other liquids. Water must not be allowed to come in contact with electric parts from underneath.
- Do not use the appliance when your hands are wet.
- The kettle must only be connected to a properly installed and earthed wall socket with a

mains voltage that matches the “Technical specifications” of the kettle.

- Use of extension cords is not recommended.
- Keep the appliance and the power cord away from sources of heat such as cooking plates or open gas flames. This could cause melting.
- Keep the mains power cord away from sharp work surface or edges to prevent damage to the cord.
- Unplug the kettle from mains power,
 - if an abnormality occurs during use,
 - if you are not going to use it for a prolonged period,
 - during thunderstorms and
 - before cleaning it.
- When unplugging the appliance from the power socket, always pull from the plug, not the mains cord.
- Do not use if the kettle, base or power cord show any visible signs of damage.
- Do not make any modifications to the appliance and its mains cord or change the connection cable yourself.

Warning - risk of burns / scalding

- Always place the water kettle on a solid and even surface. Ensure that it cannot slip or be dropped and that the power cord does not hang down.
- The kettle becomes hot while in use. Do not move the kettle during operation and do not pull on the mains cord. Only hold/lift the hot kettle by the handle.
- Contact with rising steam can cause scalding! Make sure the lid is always firmly closed and do not open it while water is boiling or while pouring water out.
- Do not fill the container with less than (0.5L) or more than (1.7L) of water. If there is not enough water in the kettle, the appliance may overheat.
- Be sure that the kettle is switched OFF before taking it off the power base.
- The kettle is only to be used with the stand provided.
- If the kettle is overfilled, boiling water may be ejected.
- The heating element and surfaces are subject to residual heat after use.

WARNING! Avoid water spillage on the electrical connectors.

WARNING! Potential injury from misuse.

WARNING! Do not remove the lid while the water is boiling.

IMPORTANT!

- Steam escaping from the appliance can damage wallpaper, overhead wall cabinets or other items. Turn the spout away to prevent steam damage.
- Do not use caustic, aggressive or abrasive cleaning products for cleaning. Keep hard items away from the appliance.
- Although the kettle is protected from boiling dry, it must never be operated without water.
- If the overheat cut-out switch switches OFF the kettle to prevent overheating and boiling dry, proceed as follows:
 - Remove the kettle from the base.
 - Allow the kettle to cool down for at least 15 minutes before refilling it with tap water.
 - Place the kettle back on the power base and switch it ON.
- Only use the kettle with the power base provided.
- Furniture today is often coated with a wide range of varnishes and plastics and is treated with various protective substances. Some of these products may contain substances that react adversely with the rubber feet on the power base, soften them and cause staining on the surface. Therefore, we recommend placing a non-slip mat under the rubber feet of the kettle.

OPERATION

Unpacking

DANGER to children- danger to life due to suffocation/swallowing

Keep the packing material out of children's reach. Dispose of it immediately.

* Carefully remove all parts from the packaging and check that no parts are missing or possibly damaged.

* Remove all packaging material.

First time use

IMPORTANT! DO NOT fill the kettle more than the max (1.7L) mark on the kettle. Filling above the max. mark will cause over boil and spillage out of the spout.

To ensure a long service-life of the water kettle, proceed as follows before using it for the first time:

1. Fill the kettle with water and add vinegar in a ratio of 1:3 (1 part vinegar / 3 parts water).

NOTE: prepare the mixture in a separate container and then pour it into the kettle up to the Min (0.5L) water level mark. Do not fill too much above the Min. water level mark to prevent overflow when boiling the mixture.

2. Bring to a boil (see Heating water), then pour away.

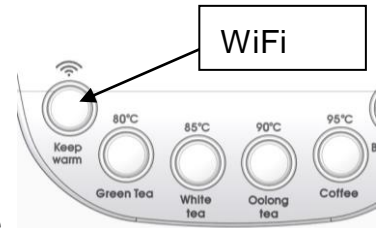
3. Allow the kettle to cool down and then refill it fresh water, boil the water and then pour it away. The kettle now ready for use.



To avoid scale deposits, descale the water kettle at regular intervals (after about every 15th use) as described in the section "Descaling".

Connecting with Wi-Fi router

1. If the kettle is powered on for the first time, WiFi key light will flash to remind user to connect to the network. If the light flashes quickly, the appliance is in config mode. If the light flashes slowly, hold the WiFi key for more than 3 seconds and the kettle will 'beep' once, the light will turn to flash quickly, and the appliance will revert to config mode.
2. In the process of connecting the appliance to the Wi-Fi router, the light on the Wi-Fi button will go out for a few seconds. When the process has ended, the buzzer will sound once and the Wi-Fi button will light up for 5 seconds. The appliance is now successfully connected to the Wi-Fi router.
3. After the kettle has successfully connected to the network once, it is not necessary to reconfigure the connection when powered ON again. The kettle will be automatically connect to the network.
4. If the appliance has connected with the Wi-Fi router, you can control the kettle and see the status through your mobile phone from anywhere with a network connection.
5. Hold the Wi-Fi key for more than 3 seconds again will reset the appliance.
6. The appliance can be used normally without connecting to the network. The flashing Wi-Fi light will switch off after a couple of minutes from switching the kettle ON.



Heating water

WARNING: Risk of scalding from hot water

- The kettle and its lid become hot while in use. Do not touch.
- The lid must be tightly closed during the boiling process. It must not be opened while pouring out water. Allow the appliance cool down before opening the lid.
- Do not fill the water container with less than MIN. (0.5L) or more than MAX. (1.7L) of water.

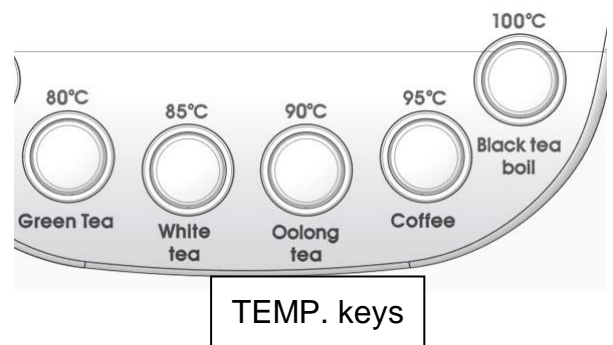
1. Hold the lid handle and pull it up to open the lid.
2. Fill the kettle with the amount of water required. You can check the fill level on the water level indicator on the kettle.
3. Press the lid down firmly to close it.



Make sure that the lid is closed properly; otherwise the water may not reach the

chosen temperature and may not switch OFF automatically after boiling.

4. Fully unwind the power cord and run it through the cable guide channel on the power base.
5. Plug the mains cable into an earthed power outlet socket within easy reach.
6. The appliance can heat water to different temperatures. Each temperature key function includes keep warm function.
7. When the appliance powers ON, all lights will blink three times, then the five temperature key lights will be on for 30 seconds, and the appliance is in standby status. All the lights will turn off, if no function (temperature) key is pressed within 30 seconds.
8. Press different TEMP. key to select different water temperature required. The light of the chosen key will flash, and the appliance will start heating. When the water temperature reach the selected water temperature, the buzzer will beep 5 times and the light will light up for 5 seconds to remind the user that the water is ready.
9. When the appliance is heating, if you want to change it to another function, touch the other function key directly to make the change.
10. If you wish to stop heating the water before it reaches the chosen temperature, touch the chosen temperature key again.



WARNING: Risk of scalding from hot water

Be sure that the water kettle is switched OFF before taking it off the power base.

11. After the water has come to a boil, wait a moment, until the water has stopped simmering. Then remove the kettle from the power base.
12. Pour the water out slowly to avoid splashing. Do not open the lid while pouring out the water.



- * The sieve insert in the spout prevents any larger particles of scale being poured out.
- * Do not re-boil stale water. Pour it away and refill with fresh water for boiling.

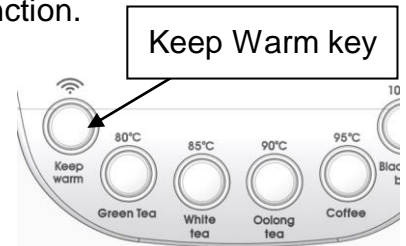
Keep Warm Function

1. Each TEMP. key include keep warm function. Touch the keep warm key while its light is off, the keep warm function will be activated, and the light will light up. The keep warm function will start from the temperature of the chosen temperature key. The flashing TEMP. key light will light up, and it will keep warm for 40 minutes. For specific parameters for each temperature key, refer to following list.

Parameters of each temperature

Function	Temperature(°C)	Temperature of Keep Warm(°C)	Time of Keep Warm(minutes)
Green tea	80	80	40
White tea	85	85	40
Oolong tea	90	90	40
Coffee	95	95	40
Black tea & Boil	100	95	40

2. Touching the activated keep warm key will cancel the keep warm function.
3. When the appliance is in the keep warm state, if you remove the kettle from the base, the keep warm function will be paused and the two lit lights will flash. If you place the kettle back on the base within 10 minutes, the keep warm function will resume, otherwise the appliance will shut down.



CLEANING AND MAINTENANCE

DANGER– risk of electric shock

- * Remove the supply cord plug from the mains power outlet socket before cleaning the kettle.
- * The power base, plug and mains cord must not come into contact with water or other liquids.
- * The kettle body must not be immersed in water.
- * The kettle, power base and its parts must not be cleaned in the dishwasher.

IMPORTANT! Damage to exterior

- * Do not use caustic, aggressive or abrasive cleaning products for cleaning the kettle exterior.

Cleaning

1. Remove the mains plug from the socket and let the water kettle cool down completely.
2. Wipe the base and power cord with a dry cloth.
3. Wipe the outside of the jug with a slightly moistened cloth.
4. Pull the sieve out of the spout.
5. Rinse it under running hot water.
6. Slide the sieve into the spout as far as it will go.

Descaling

The kettle must be descaled at regular intervals, especially if the base on the kettle is visibly

encrusted with lime scale. Regular descaling saves energy and increases the service life of the kettle.

For ecological reasons, we recommend using a three-to-one (3:1) solution of water and vinegar or citric acid to descale the kettle.

IMPORTANT! prepare the mixture in a separate container and then pour it into the kettle up to the Min (0.5L) water level mark. Do not fill too much above the Min. water level mark to prevent overflow from the spout when boiling the mixture.

1. Let the solution soak in the kettle for about an hour, and then bring it to the boil.
2. Thoroughly rinse out the kettle with fresh water.

Alternatively, you may use commercially available kettle cleaning solution. Please follow the instructions provided with the cleaning solution.

12 Month Warranty

Thank you for your purchase from Kmart.

Kmart Australia Ltd warrants your new product to be free from defects in materials and workmanship for the period stated above, from the date of purchase, provided that the product is used in accordance with accompanying recommendations or instructions where provided. This warranty is in addition to your rights under the Australian Consumer Law.

Kmart will provide you with your choice of a refund, repair or exchange (where possible) for this product if it becomes defective within the warranty period. Kmart will bear the reasonable expense of claiming the warranty. This warranty will no longer apply where the defect is a result of alteration, accident, misuse, abuse or neglect.

Please retain your receipt as proof of purchase and contact our Customer Service Centre on 1800 124 125 (Australia) or 0800 945 995 (New Zealand) or alternatively, via Customer Help at Kmart.com.au for any difficulties with your product. Warranty claims and claims for expense incurred in returning this product can be addressed to our Customer Service Centre at 690 Springvale Rd, Mulgrave Vic 3170.

Our goods come with guarantees that cannot be excluded under the Australian Consumer Law. You are entitled to a replacement or refund for a major failure and compensation for any other reasonably foreseeable loss or damage. You are also entitled to have the goods repaired or replaced if the goods fail to be of acceptable quality and the failure does not amount to a major failure.

For New Zealand customers, this warranty is in addition to statutory rights observed under New Zealand legislation.