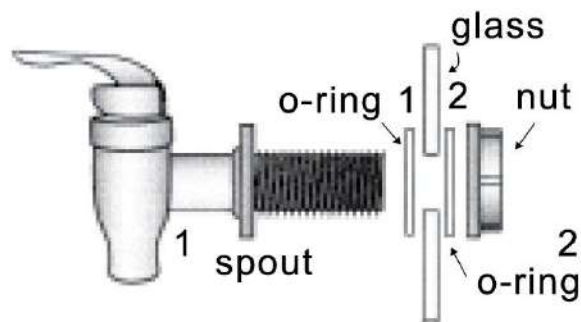


Care Instructions:

Hand wash only. Wash with warm soapy water before first use.



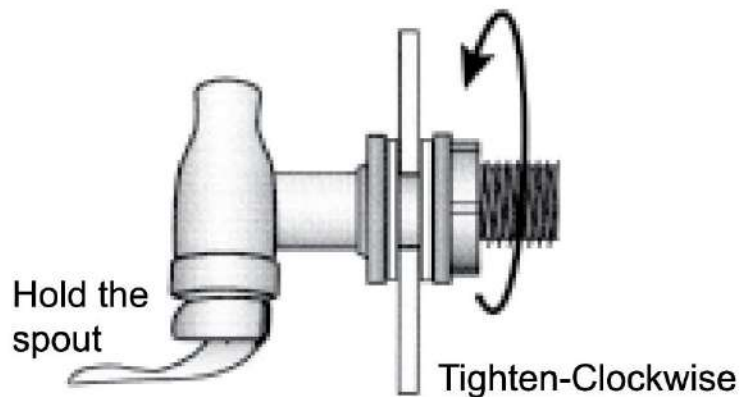
Expanded view of parts supplied

Caution:

- Do not move when full.
- Do not use without the stand.
- Not recommended for hot liquids or carbonated drinks.
- Ensure the spout has been tightened as per the instructions below prior to using.
- To allow a consistent flow of liquid from the dispenser, do not fully tighten the lid.

Assembly Instructions:

Step 1: With the spout upside down, hand tighten the nut clockwise on the inside of the drink dispenser.



Step 2: While holding the nut with one hand, turn the spout (through half a turn) clockwise with your other hand to tighten firmly.

