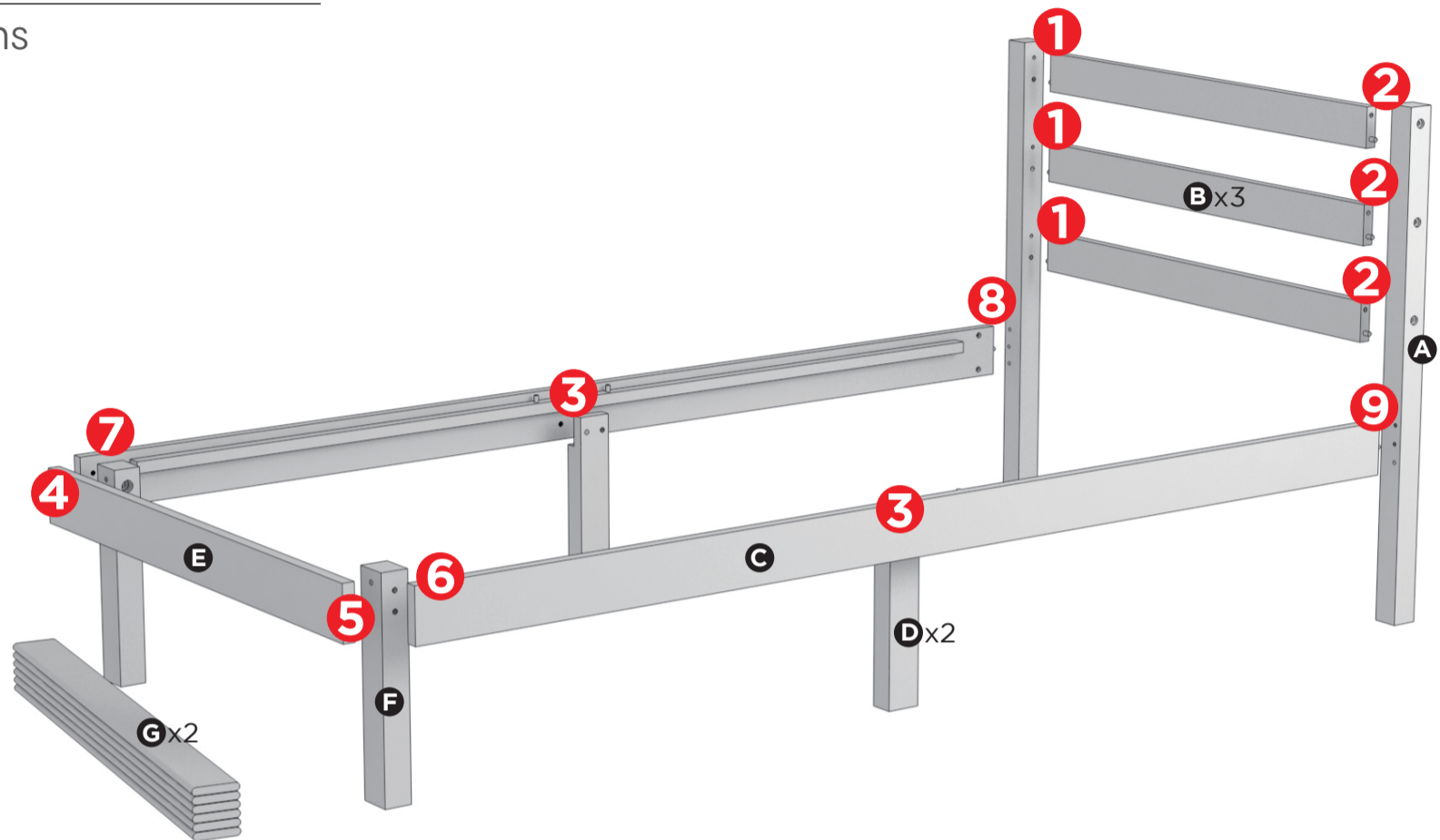


# Easy as 1-2-3 Assembly Instruction

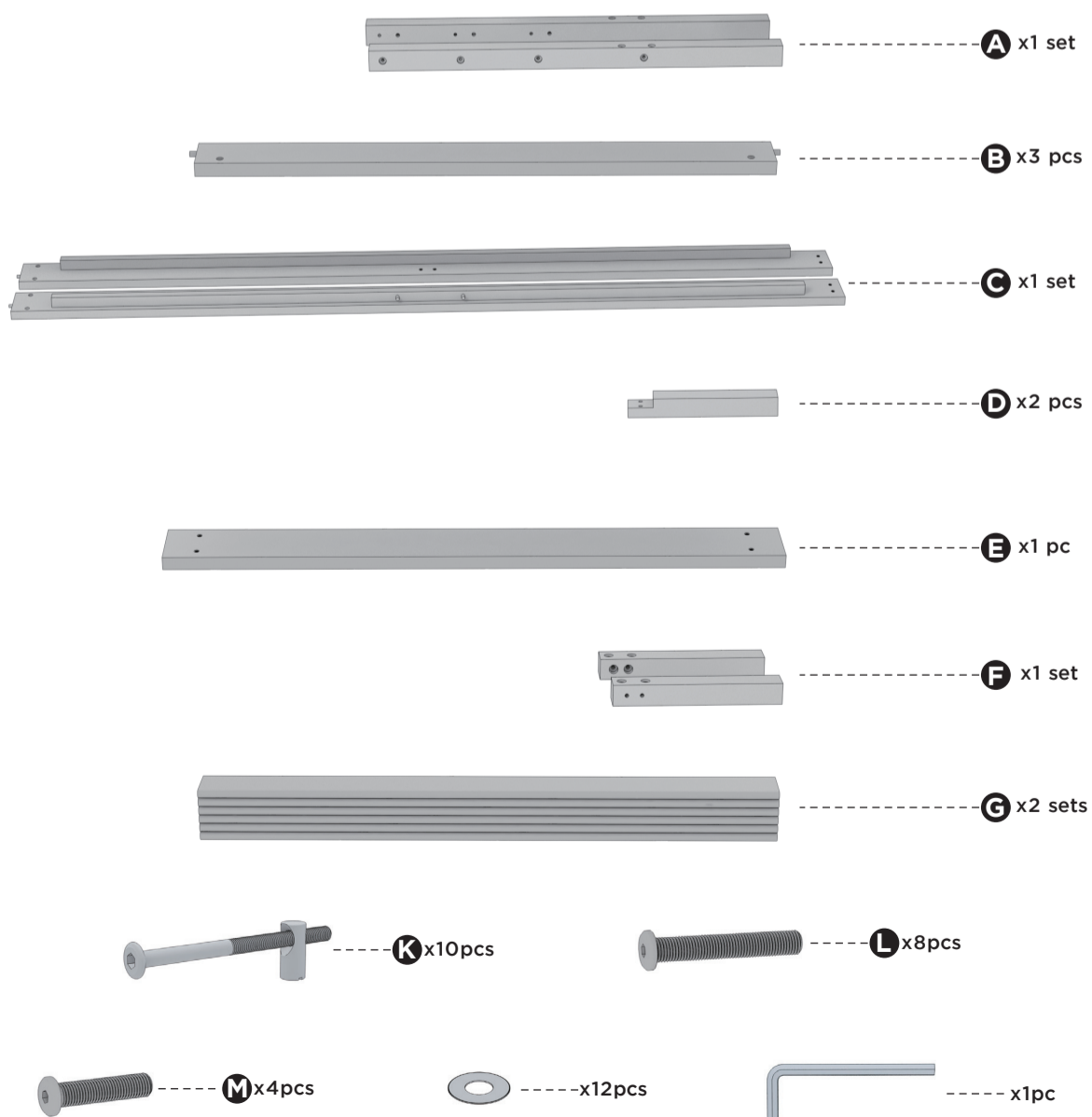
## TIMBER BED FRAME

### Instructions



Single

### Components



### Need more help?

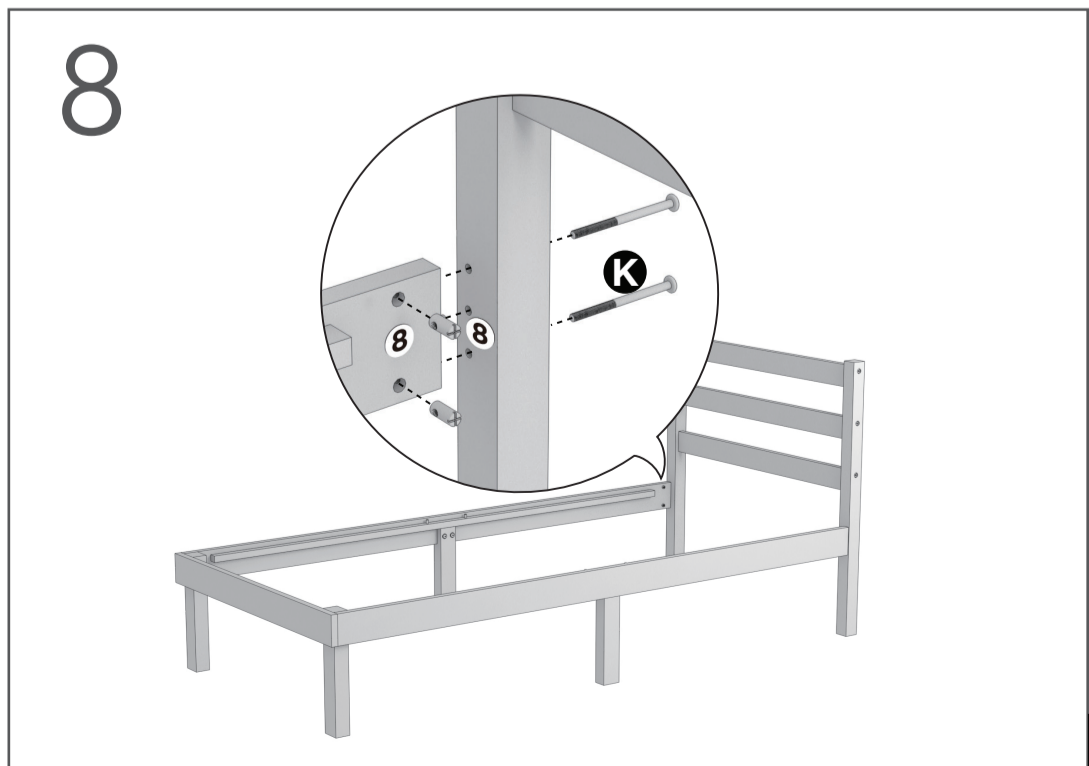
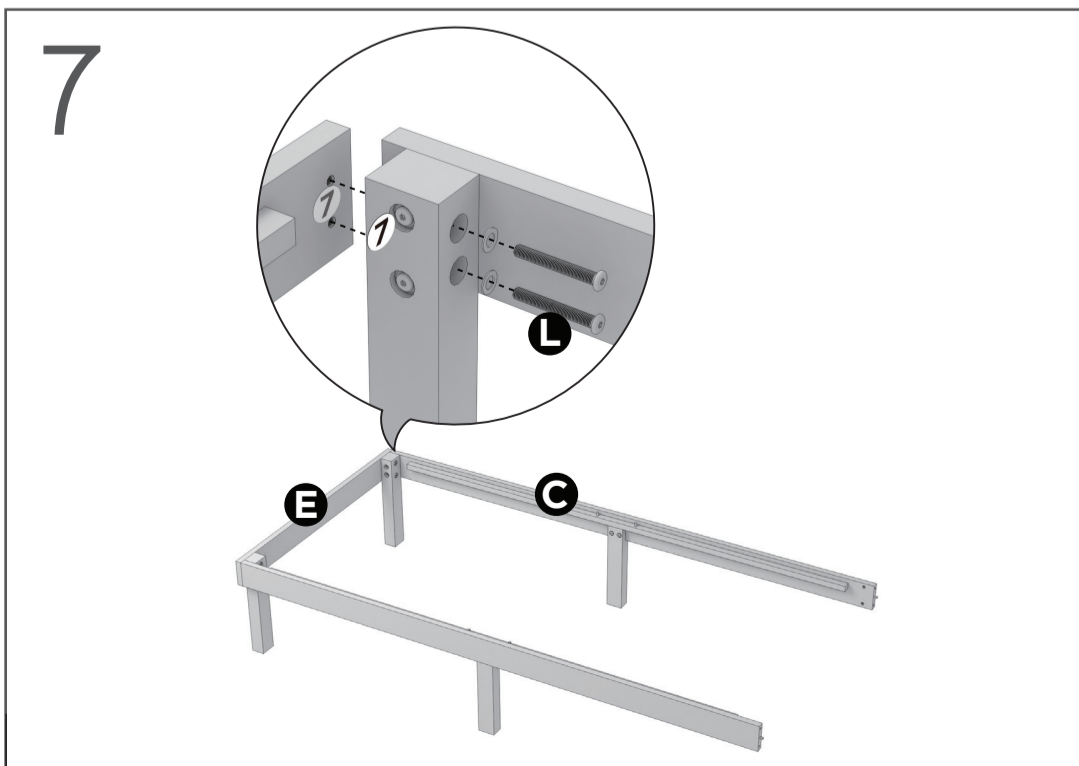
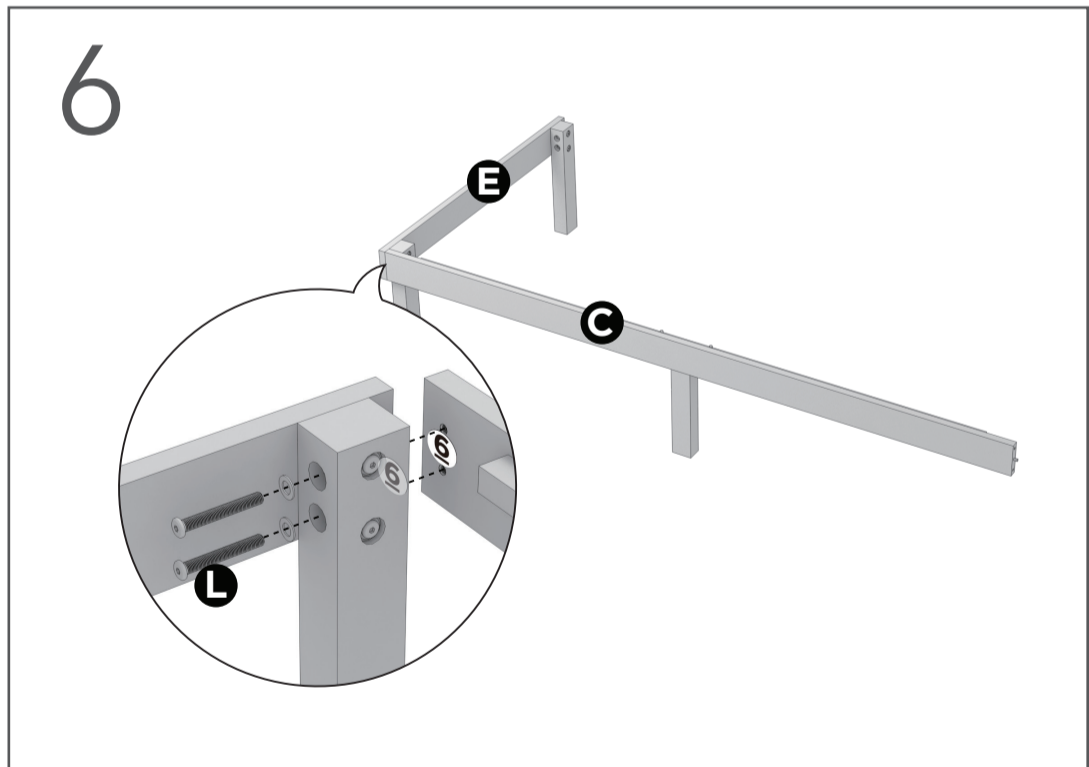
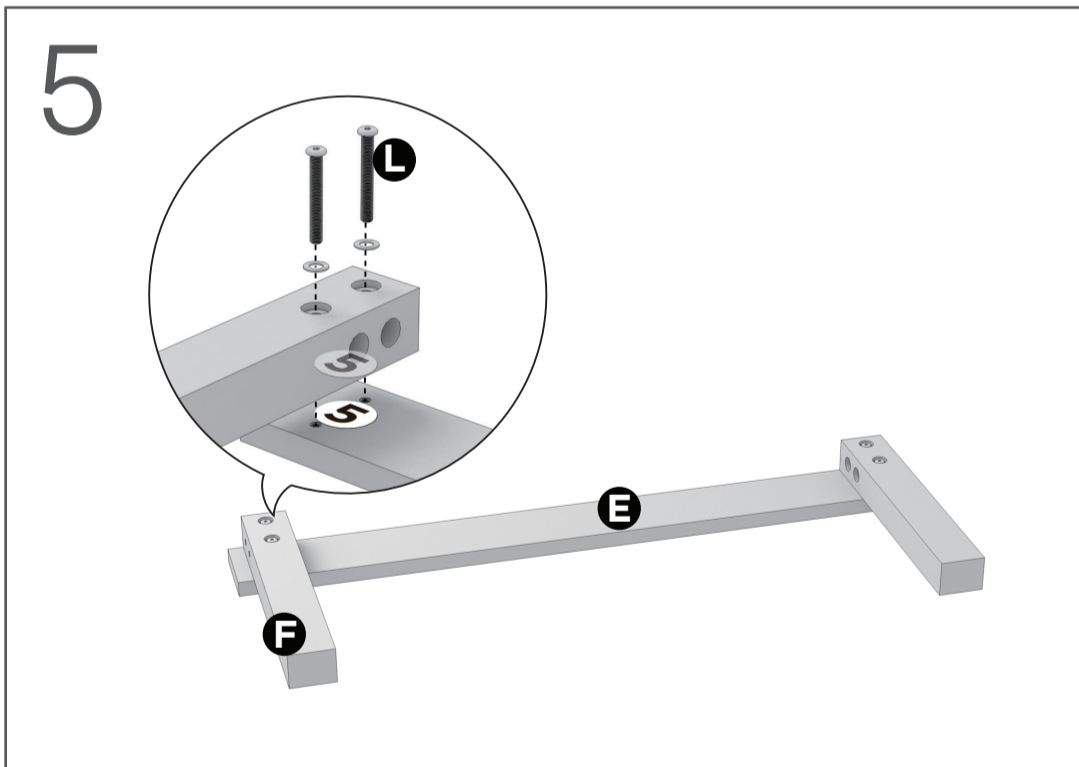
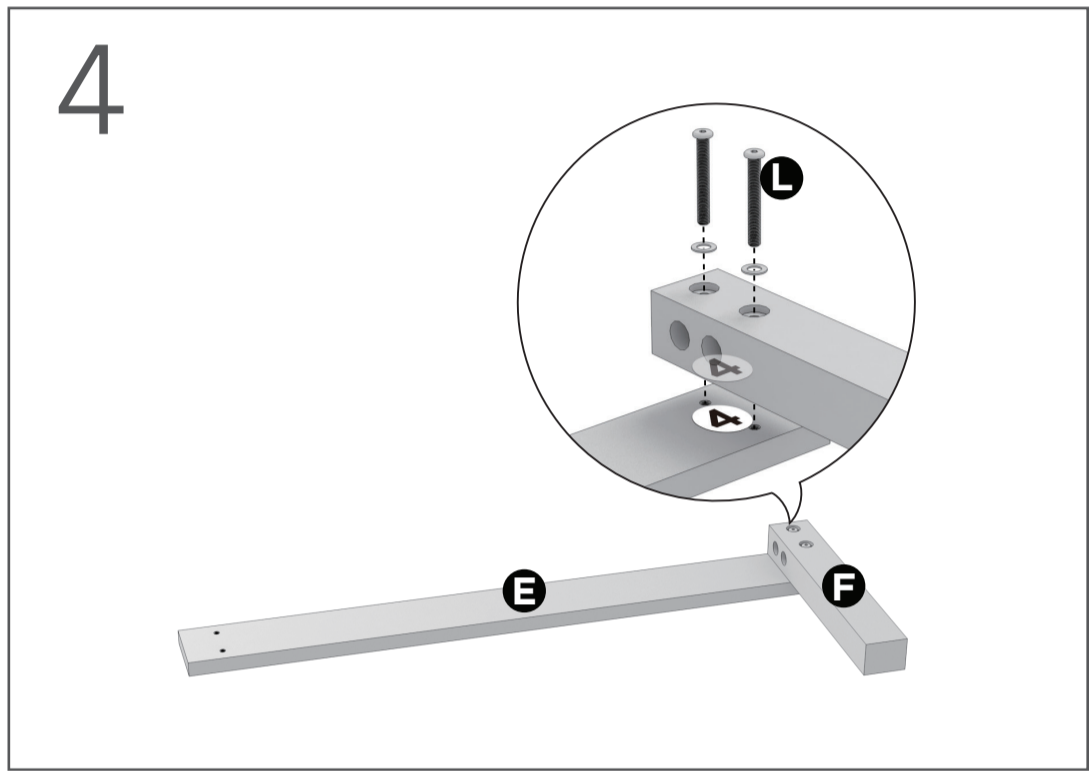
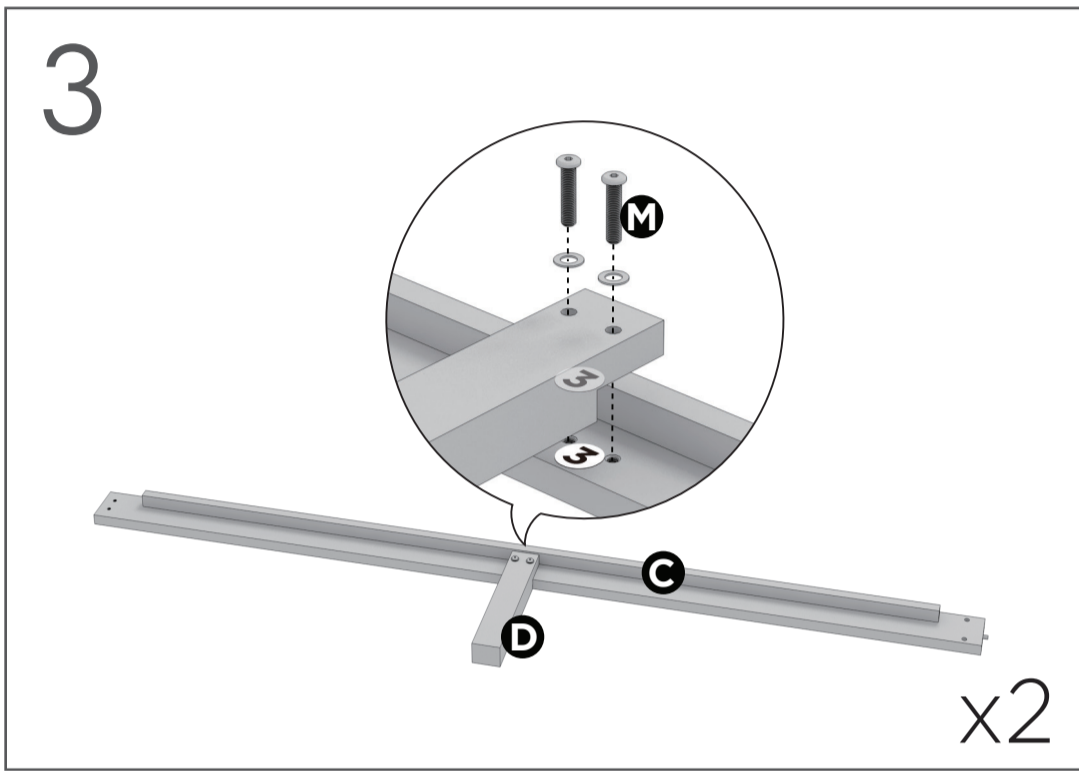
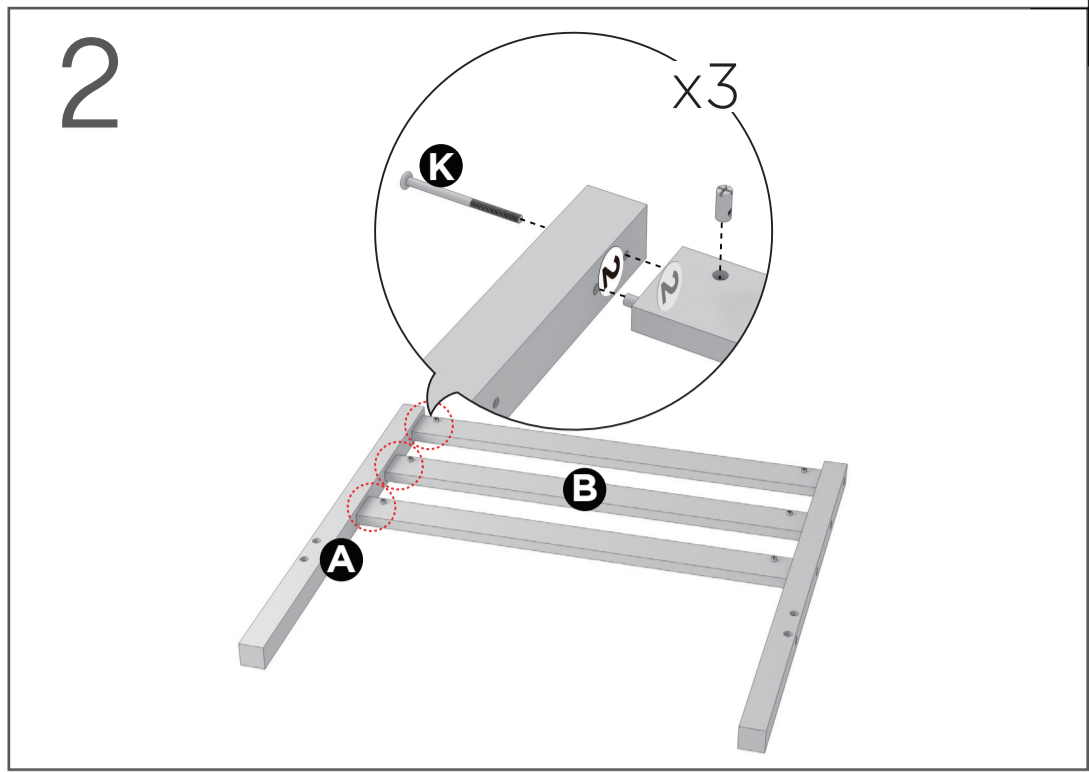
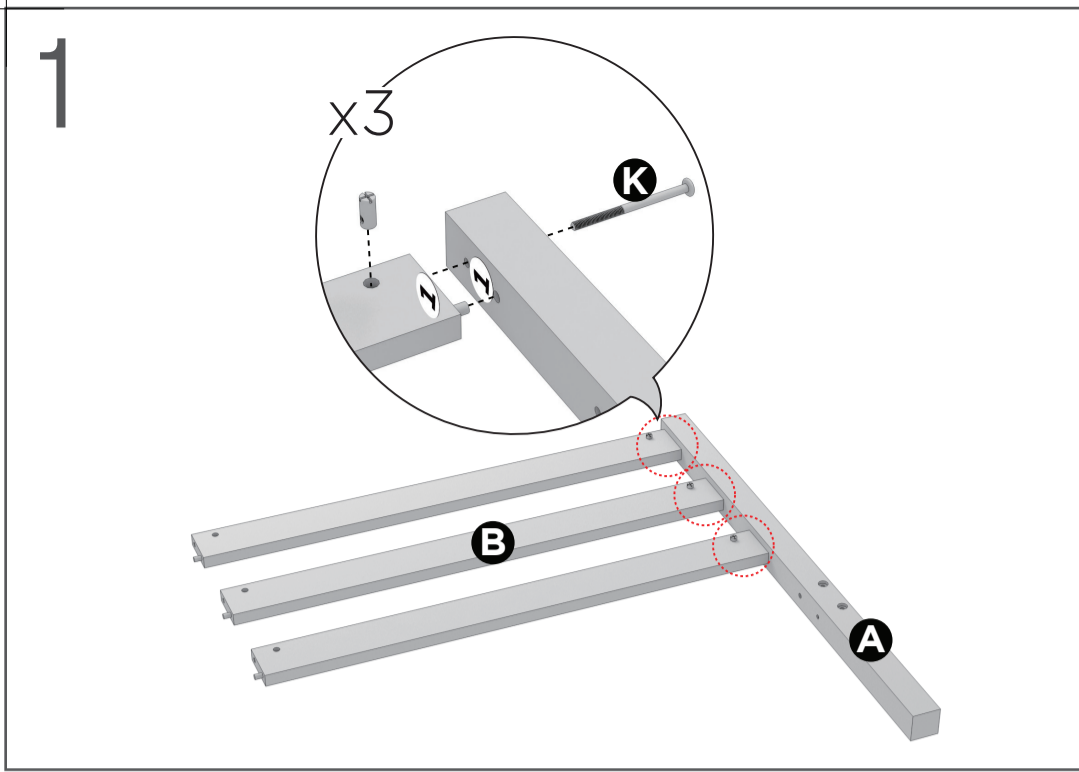
Get in touch so we can help you out.  
 AU: 7am - 5pm AEST Monday - Sunday  
 (including public holidays)  
 NZ: 9am - 7pm AEST Monday - Sunday  
 (including public holidays)  
 1800 051 800

We also have a dedicated phone service for our senior customers and customers with a disability:  
 1800 442 100

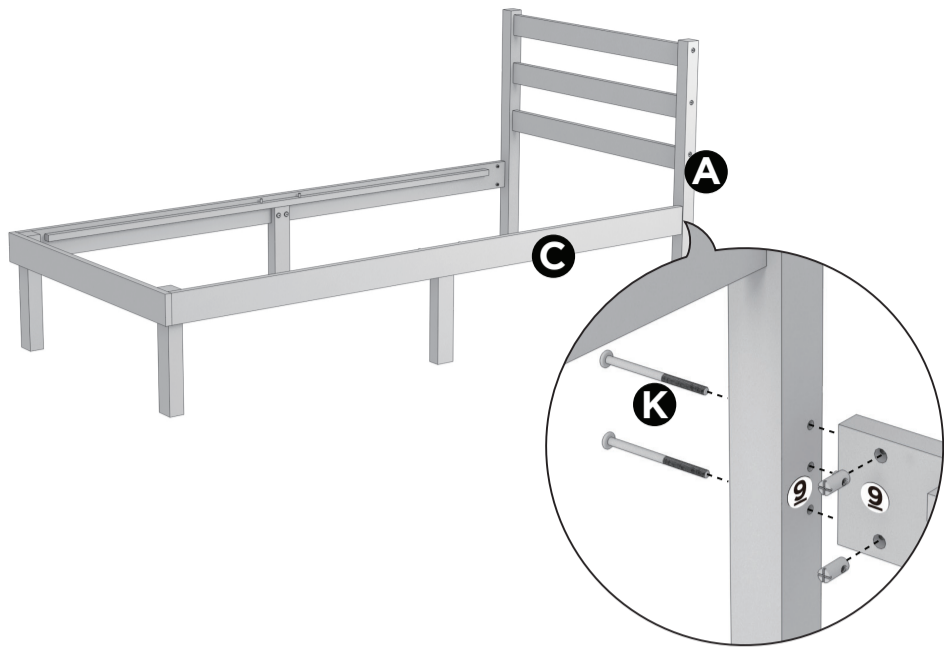
General enquiries:  
 Store queries and store experience feedback  
 Product queries

7am - 6pm AEST Monday - Friday (except public holidays)

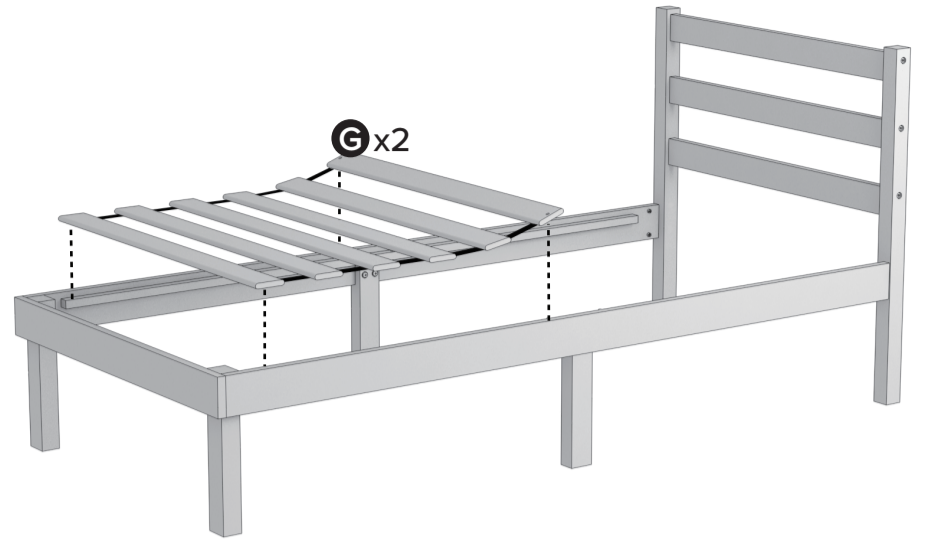
Love it! Share it! [kmart.com.au](http://kmart.com.au)



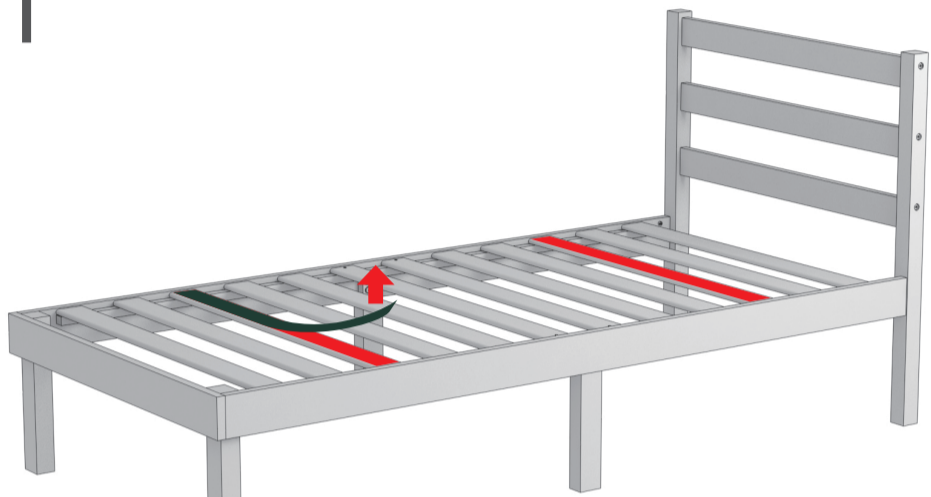
9



10



11



Please peel off the upper strips.  
Non-Slip tapes keep your mattress in place.

12

