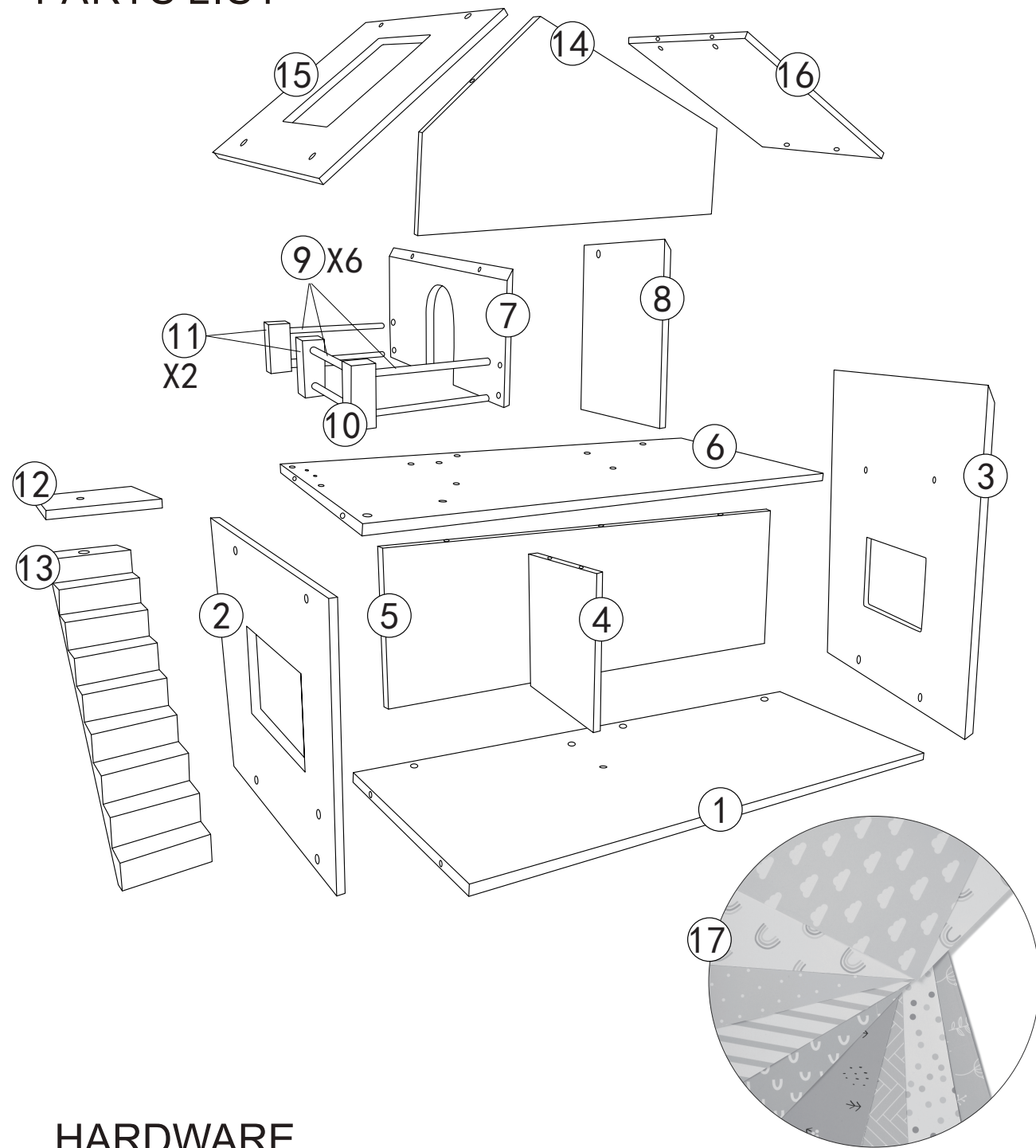


anko INSTRUCTION MANUAL

DIY DOLL HOUSE WITH ACC & FURN

PARTS LIST



HARDWARE

A. White large head screw x 8



B. Beige large head screw x 18



C. White large head screw x 1



D. White large head screw x 1



E. Silvery head screw x 2



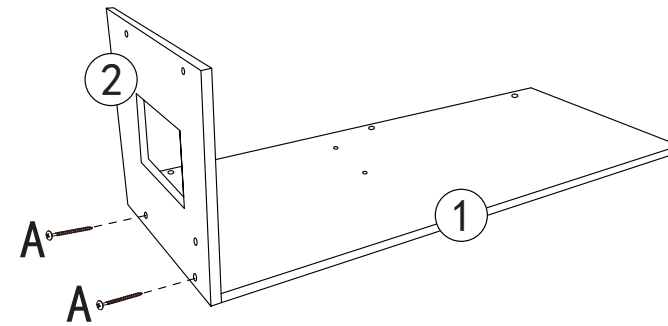
F. X10

Cross screwdriver
(not included)

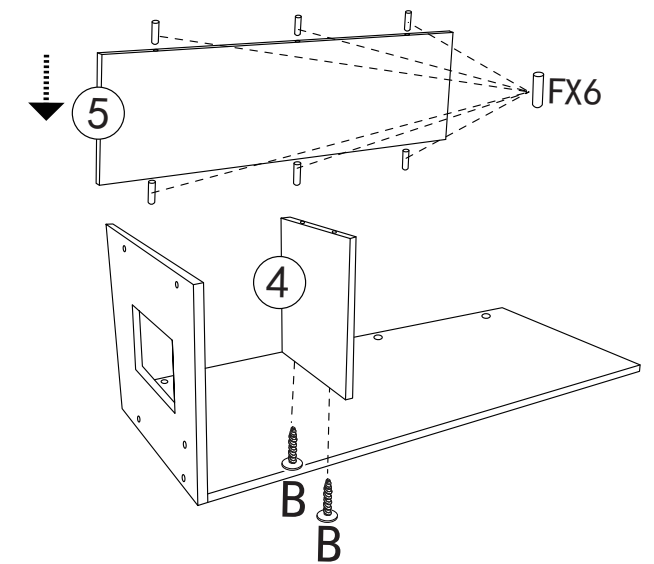


3+
years

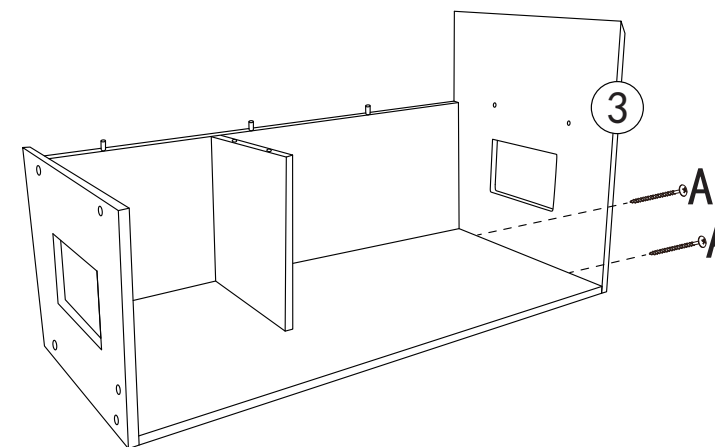
STEP 1



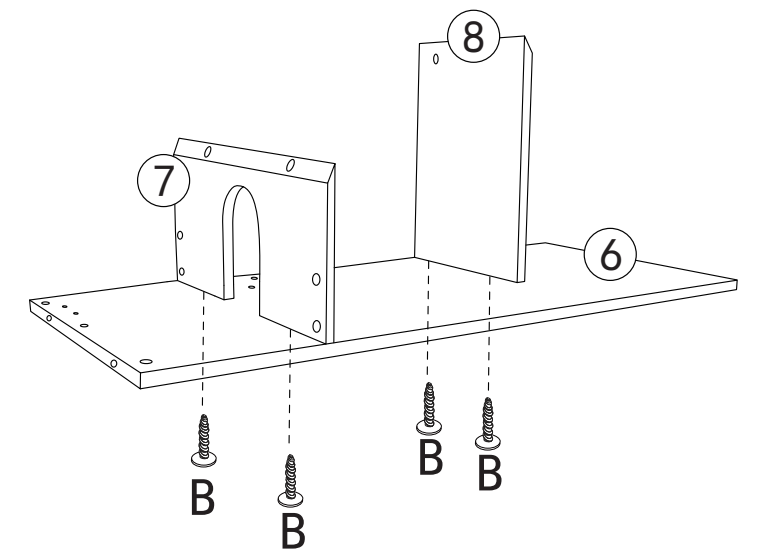
STEP 2



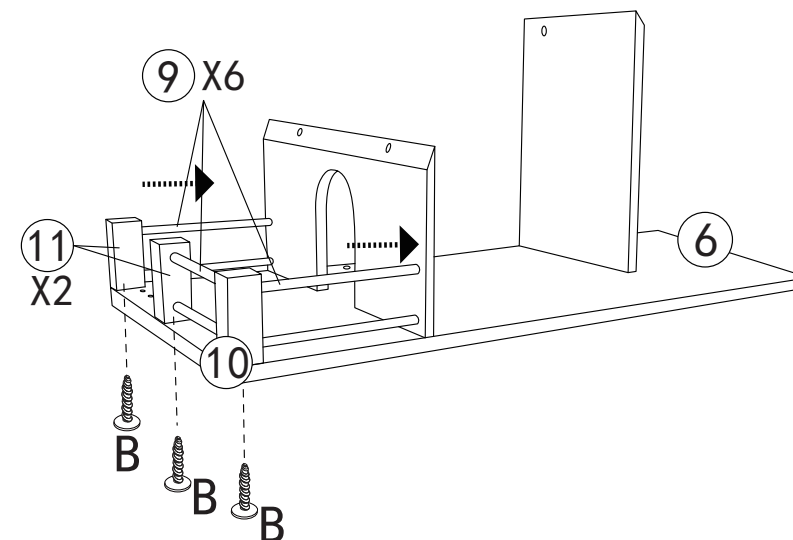
STEP 3



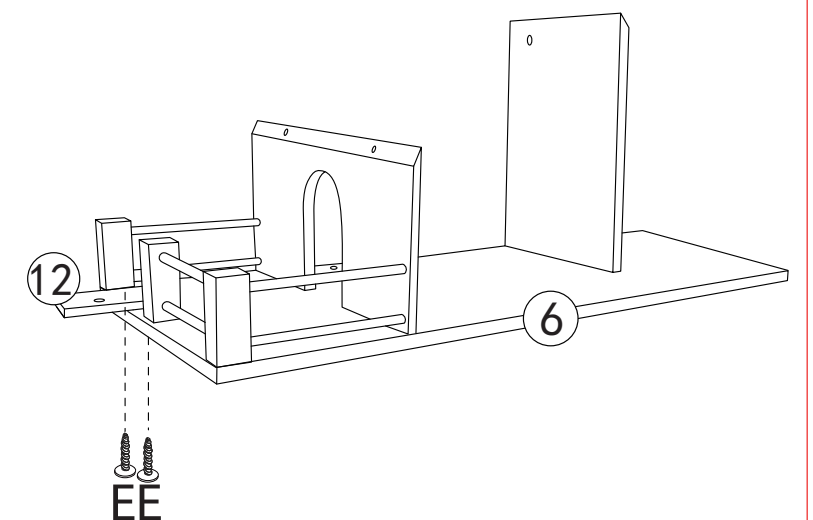
STEP 4



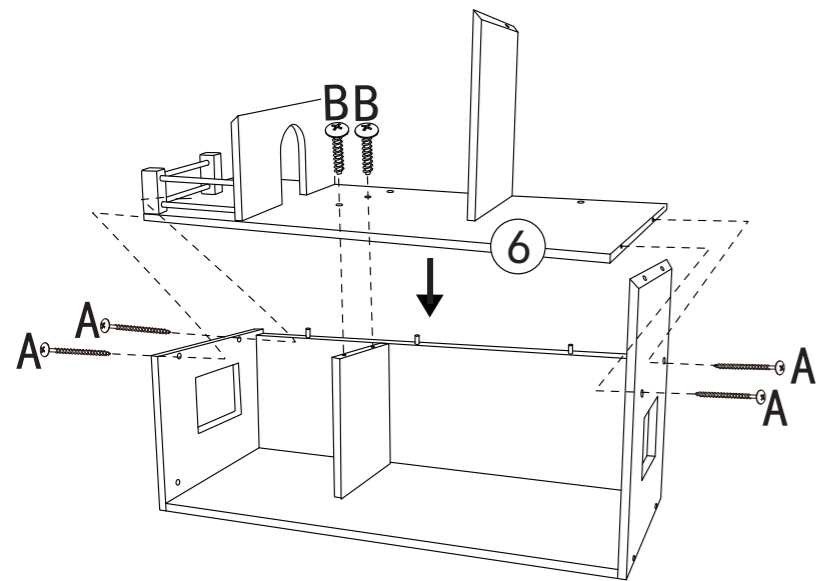
STEP 5



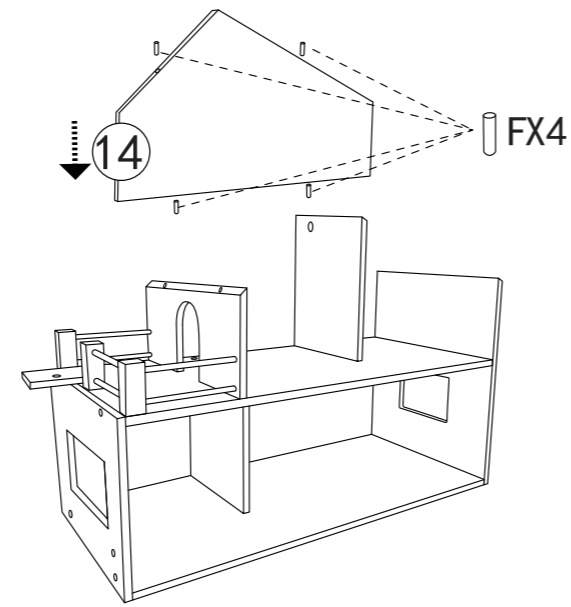
STEP 6



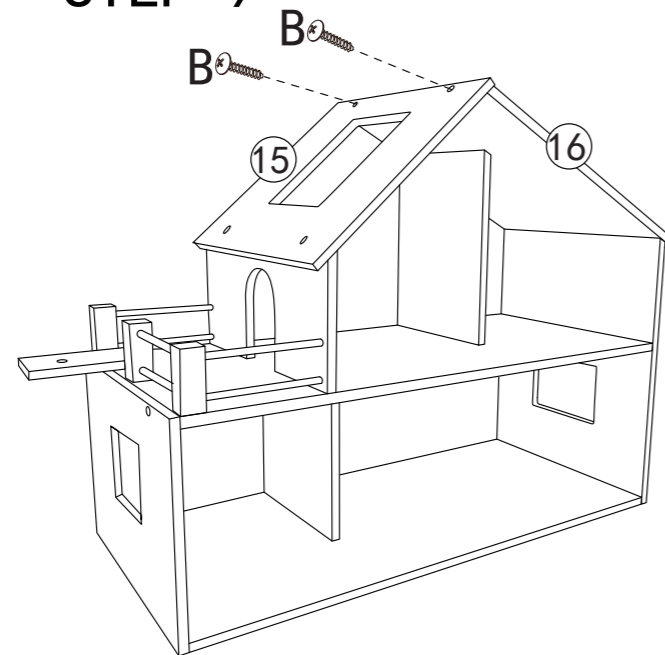
STEP 7



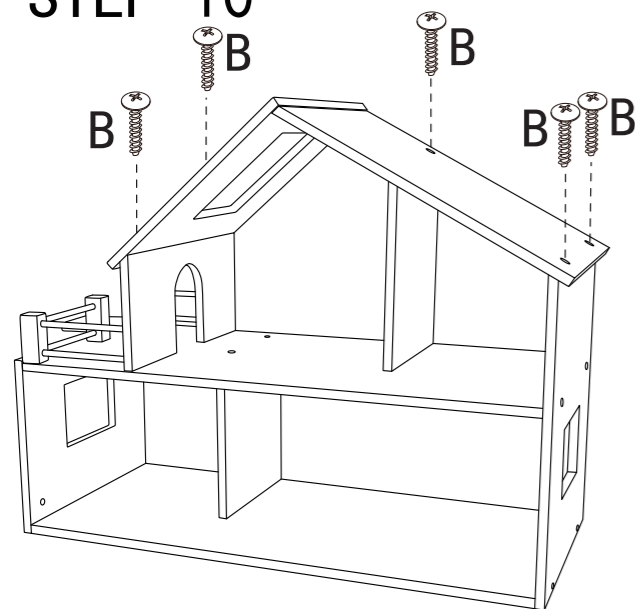
STEP 8



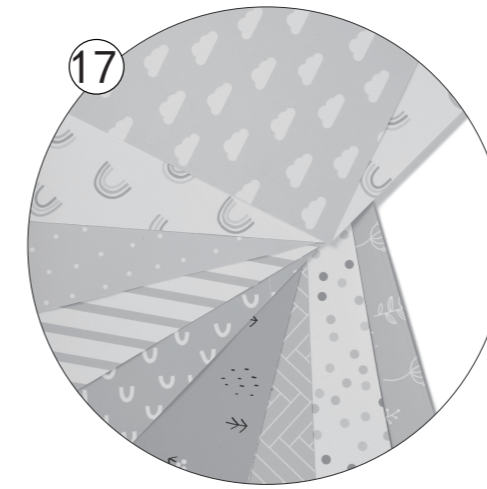
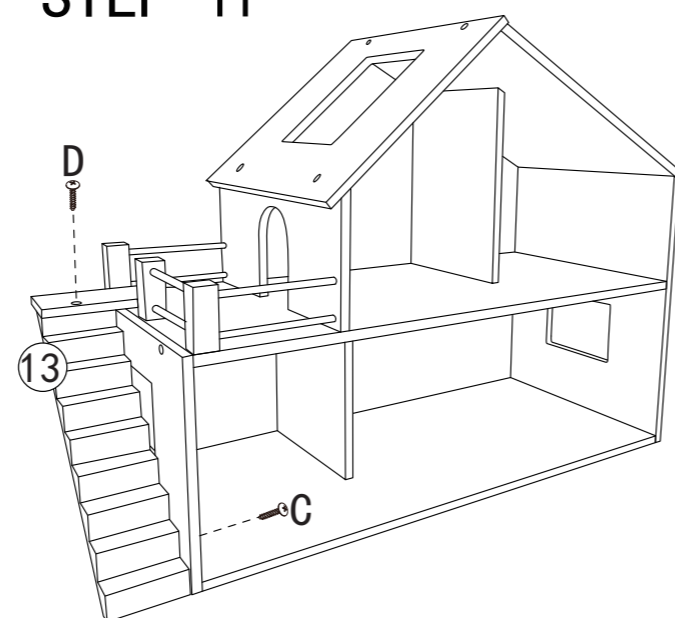
STEP 9



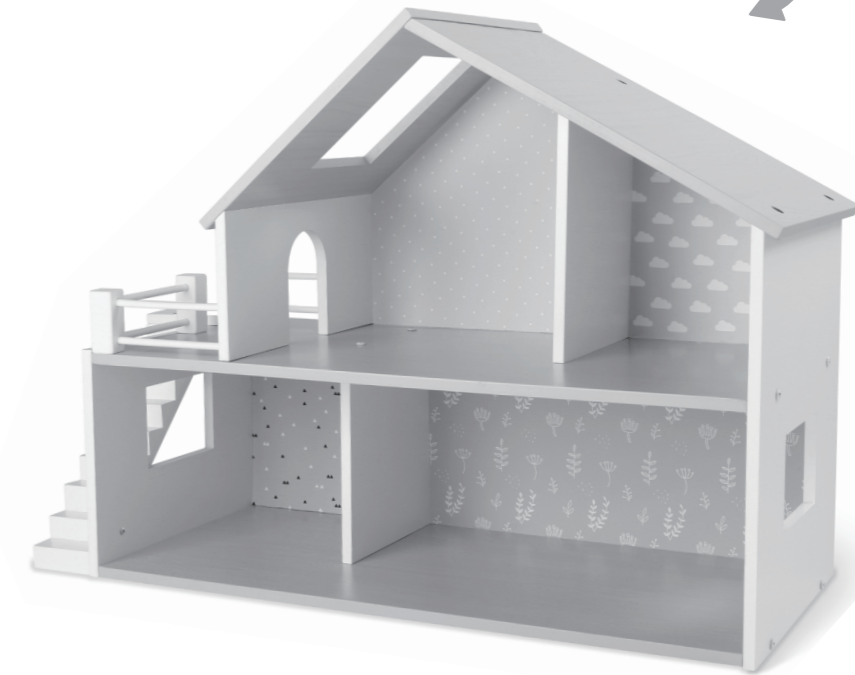
STEP 10



STEP 11



DIY your own dollhouse by colourful wallpapers.



Assembly Instructions

- Check all components are present before assembling.
- The toy requires adult assembly.
- In unassembled state, product contains hardware with sharp points. Keep unassembled parts out of reach of small children. Cross screwdriver(not included) is required for assembly. Dispose of all packing materials carefully after assembly.

Maintenance

Inspect the product before assembly and periodically during use. Never use this product if there is any loose or missing fasteners, points or broken parts. Regularly check that all fittings remain tight. Tighten if required.

WARNING

CHOKING HAZARD – SMALL PARTS,
NOT SUITABLE FOR CHILDREN UNDER 3 YEARS.
CAUTION: THIS IS A TOY, INTENDED FOR ROLE PLAY ONLY.
ADULT ASSIST IS RECOMMENDED.

Keycode: 42932314

MADE IN CHINA

© KMART AUSTRALIA LIMITED