

Assembly Instructions

CARE INSTRUCTIONS:

TO BE ASSEMBLED ON A CLEAN, DRY AND SMOOTH SURFACE. WIPE CLEAN WITH A SOFT DAMP CLOTH. NEVER USE SCOURERS, ABRASIVES SCREWS OR CHEMICAL SOLVENTS. CHECK AND TIGHTEN ALL PARTS REGULARLY. KEEP AWAY FROM MOISTURE AND DIRECT SUNLIGHT. STORE IN A DRY PLACE. FOR INDOOR AND DOMESTIC USE ONLY. DO NOT PLACE HOT ITEMS SUCH AS COFFEE CUPS DIRECTLY ON THE SURFACE OF THIS ITEM.

WARNING!

NOT SUITABLE FOR CHILDREN UNDER 8 YEARS. DO NOT STAND, SIT OR LEAN ON THIS UNIT. DO NOT USE THIS UNIT AS A STEP LADDER OR AS A CHOPPING SURFACE. ENSURE THIS UNIT IS USED ONLY ON A FLAT SURFACE. DO NOT USE THIS UNIT UNLESS ALL BOLTS AND SCREWS ARE FIRMLY SECURED. THE EXTERNAL FLEXIBLE CORD OF GOODS CANNOT BE REPLACED BY CUSTOMER. IF THE CORD IS DAMAGED, SEEK PROFESSIONAL ADVICE. THE ADAPTOR SUPPLIED IS FOR USE WITH THIS GOODS ONLY. DO NOT PLUG ON THE GOODS INSIDE THE PACKING! ALWAYS UNPLUG YOUR GOODS AFTER USE.

ADAPTOR MODEL NO.: SD24K120200S INPUT: 100-240VAC, 50/60Hz


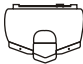








OUTPUT: 12VDC 2000mA FAN WATTAGE: 2 X 7.2W


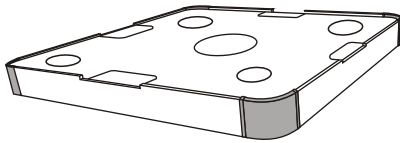


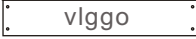
FAILURE TO FOLLOW THESE WARNINGS COULD RESULT IN SERIOUS INJURY.

MADE IN CHINA

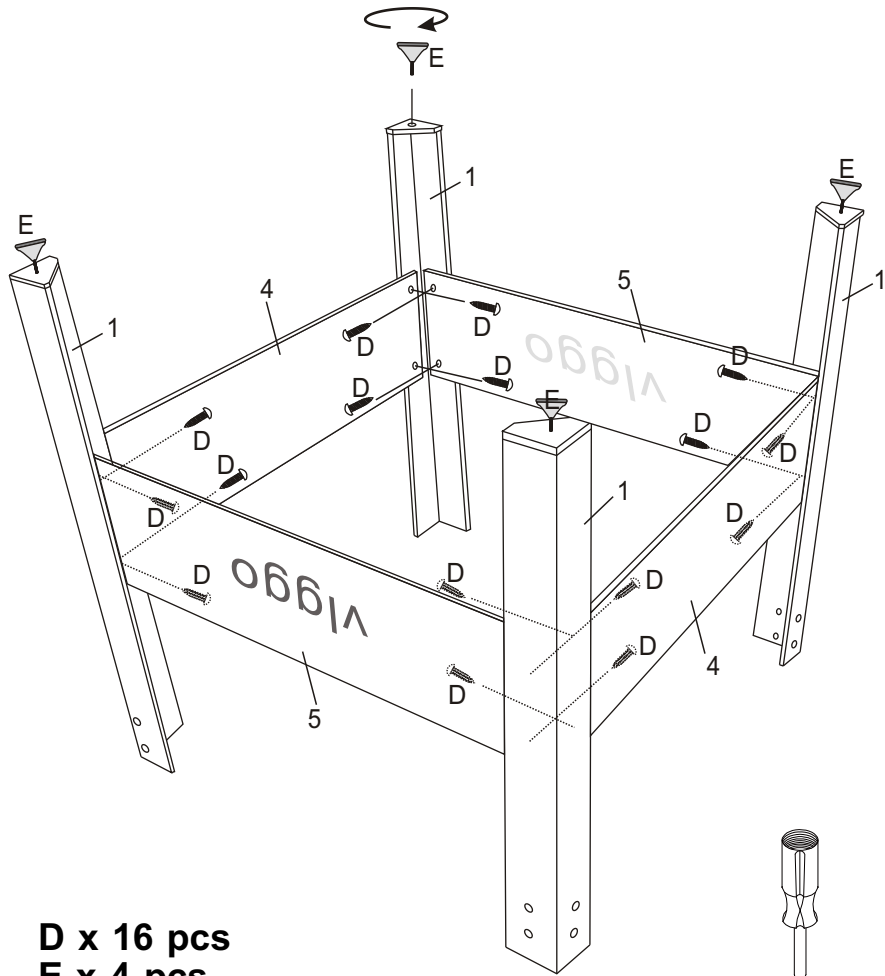
IMPORTED BY KMART AUSTRALIA LIMITED

Hardware List

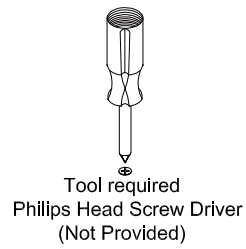
	A	∅8	16pcs		G	Scorers	4set
	B	∅8x30mm	16pcs				
	C	M3x12mm	16pcs		H	Strikers	4pcs
	D	M4x10mm	16pcs				
	E	Leg levelers	4pcs		I	Pucks	4pcs
	F	hex key	1pc				
					J	Adaptor	1pc

1	4pcs	2	1pc
			
3	2pcs	4	2pcs
			
5	2pcs		
			

Step 1:

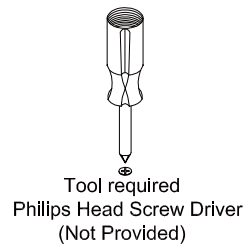
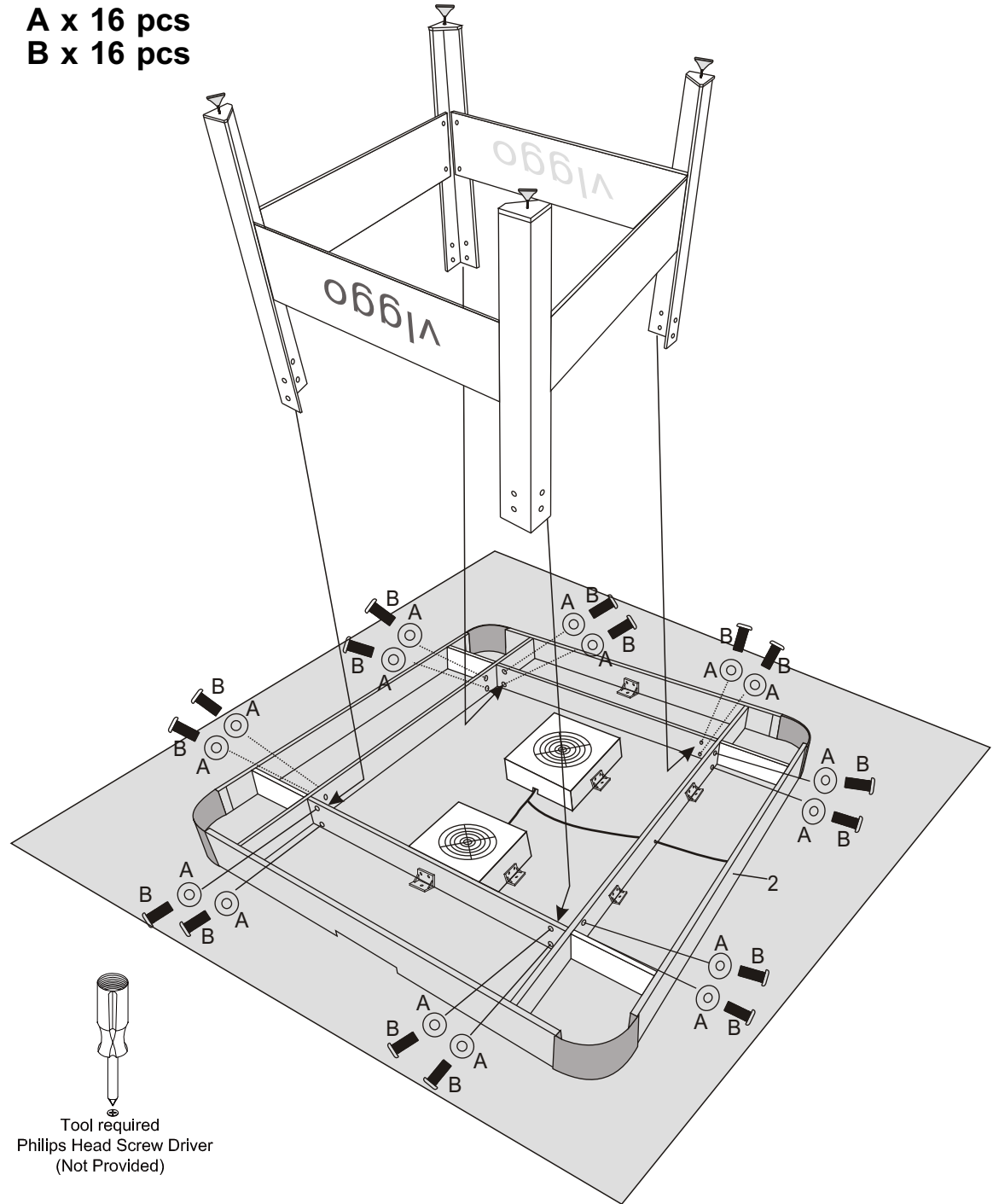


D x 16 pcs
E x 4 pcs



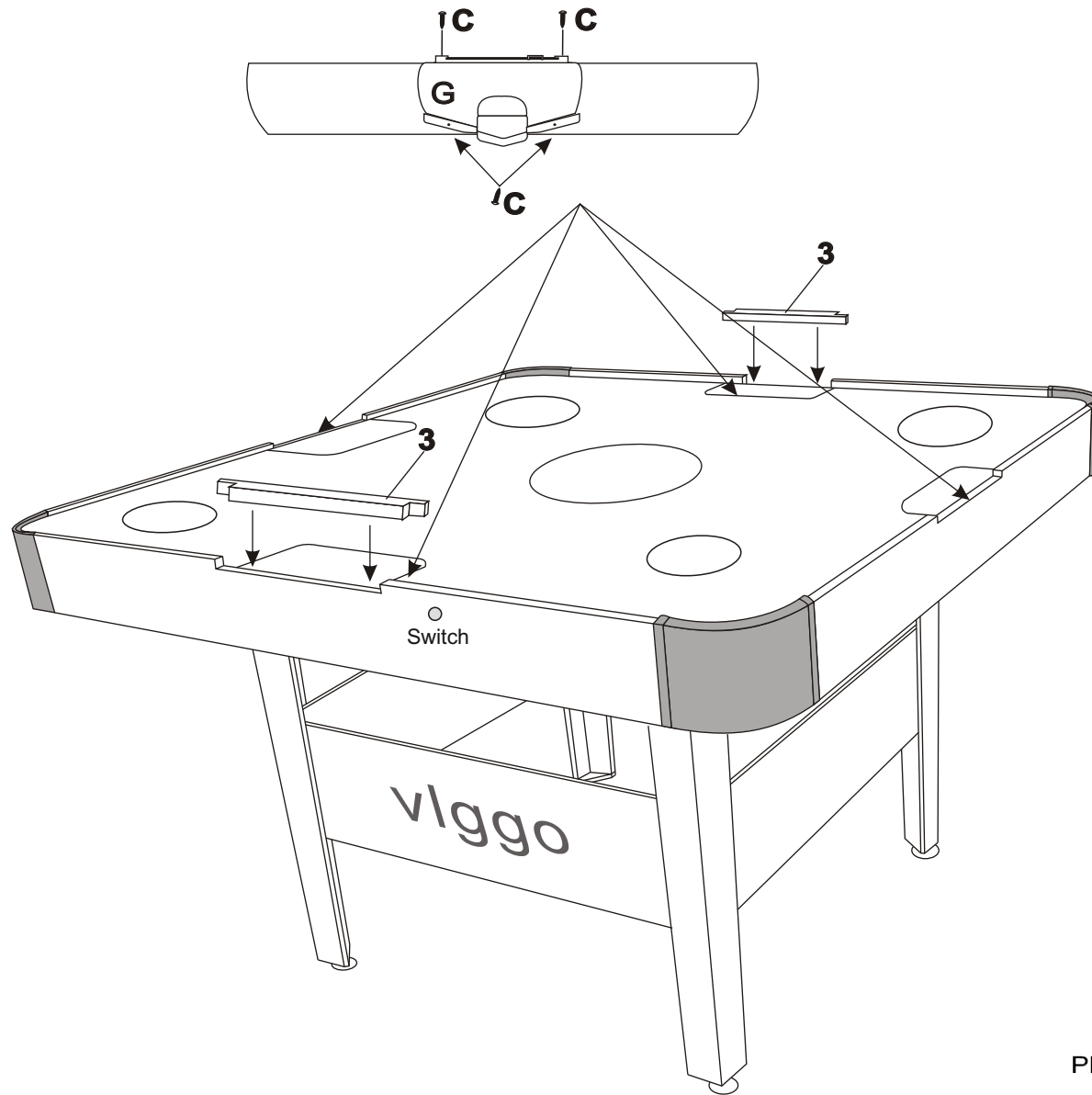
Step 2:

A x 16 pcs
B x 16 pcs



Step 3:

C x 16 pcs



Tool required
Philips Head Screw Driver
(Not Provided)