

Assembly Instructions

42936893 DESK EGON 2 DRAWER

CARE INSTRUCTIONS:


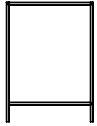









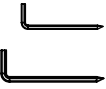
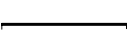



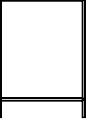
TO BE ASSEMBLED ON A CLEAN, DRY AND SMOOTH SURFACE. WIPE CLEAN WITH A SOFT DAMP CLOTH. NEVER USE SCOURERS, ABRASIVES OR CHEMICAL SOLVENTS. CHECK AND TIGHTEN ALL PARTS REGULARLY. KEEP AWAY FROM MOISTURE AND DIRECT SUNLIGHT. STORE IN A DRY PLACE. FOR INDOOR AND DOMESTIC USE ONLY.

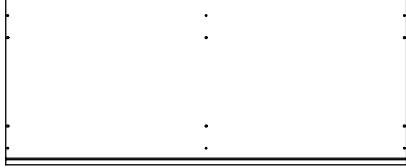
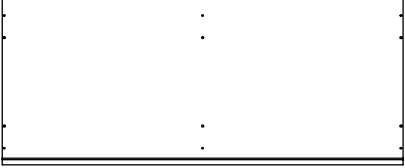


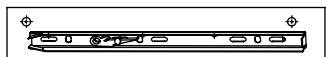


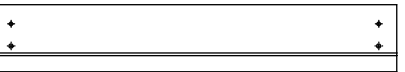
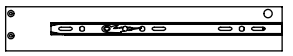
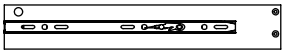


WARNING!

DO NOT STAND, SIT OR LEAN ON THIS UNIT. DO NOT USE THIS TABLE AS A STEP LADDER OR AS A CHOPPING SURFACE. ENSURE THIS TABLE IS USED ONLY ON A FLAT SURFACE. DO NOT USE THIS TABLE UNLESS ALL BOLTS AND SCREWS ARE FIRMLY SECURED. DO NOT PLACE HOT ITEMS SUCH AS COFFEE CUPS DIRECTLY ON THE SURFACE OF THIS FURNITURE ITEM. KEEP AWAY FROM CHILDREN AND BABIES. THIS PACKAGE CONTAINS SMALL PARTS AND SHARP POINTS. ADULT ASSEMBLY REQUIRED. A MILD ODOUR MAY BE PRESENT WHEN FIRST OPENING THIS CARTON. SIMPLY ALLOW TO AIR OUTSIDE AND THIS WILL FADE.

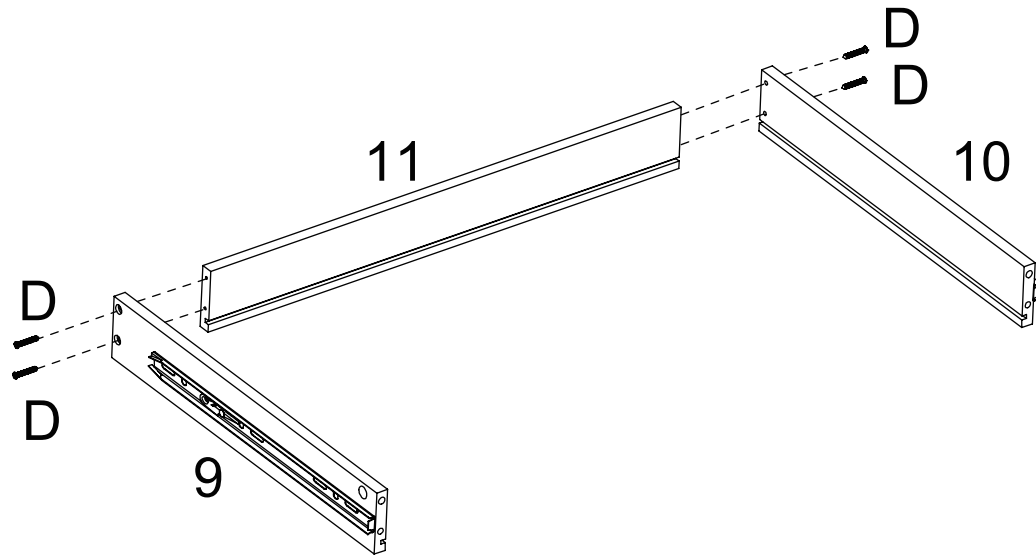
MAXIMUM SAFE LOAD: 30 KG ON TABLE TOP. 5KG ON DRAWER. FAILURE TO FOLLOW THESE WARNINGS COULD RESULT IN SERIOUS INJURY.

Hardware List

	A	M6	10pcs		M		1pcs
	B	∅12	10pcs				
	C	∅6x30mm	16pcs		N		1pcs
	D	M4x30mm	14pcs		O		1pcs
	E	M4x25mm	10pcs		P	M6x10mm	6pcs
	F	M8x30mm	6pcs		Q		1pcs
	G	M6 M8	1pcs				
	H		1pcs				
	I	M4	4pcs				
	J	M4x22mm	4pcs				
	K		2pcs				
	L		1pcs				

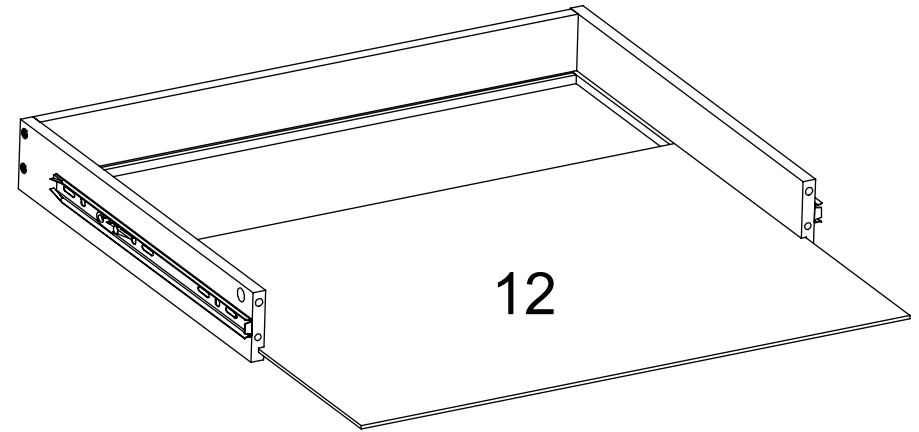
1	1pcs	2	1pcs
			
3	1pcs	4	1pcs
			
5	1pcs	7	1pcs
			
6	1pcs		
			
8	1pcs	9	2pcs
			
10	2pcs	12	2pcs
			
11	2pcs		
			

Step 1:



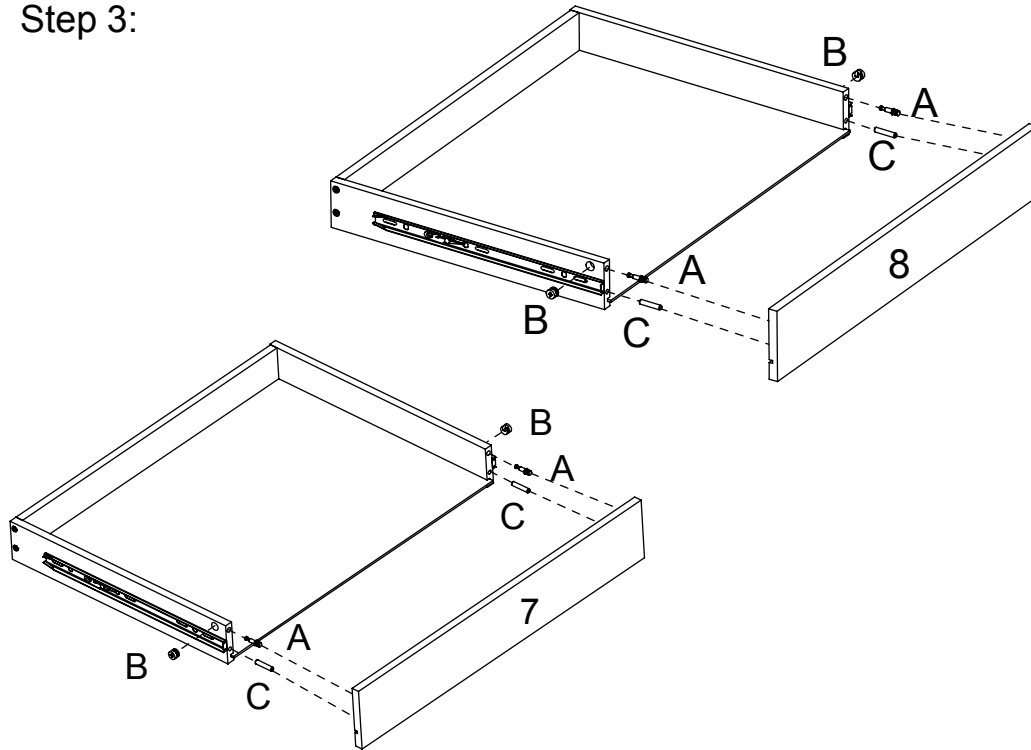
X2

Step 2:

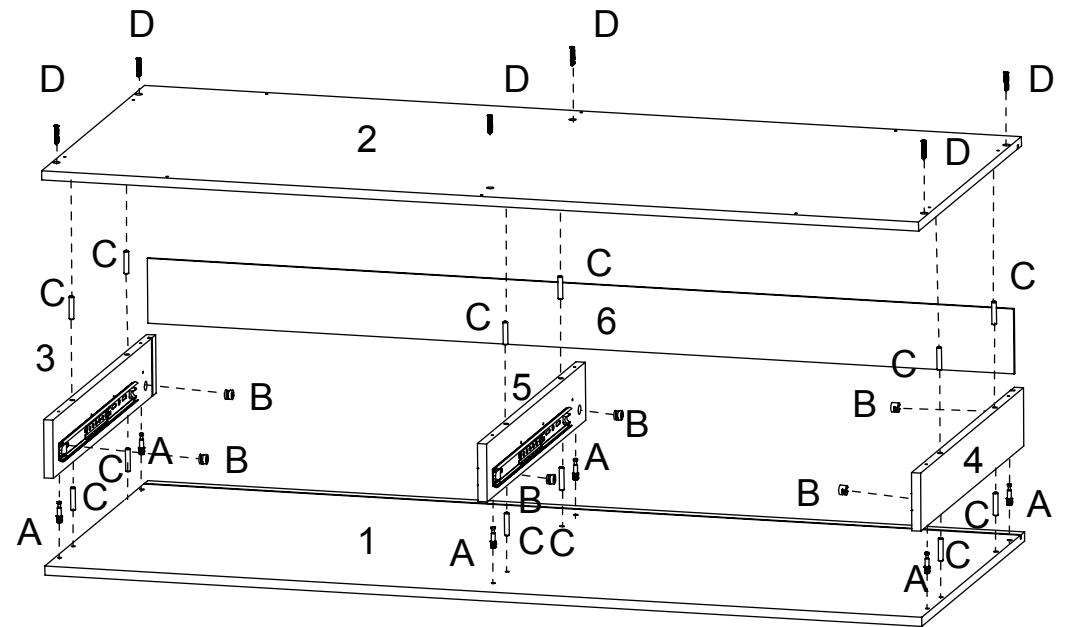


X2

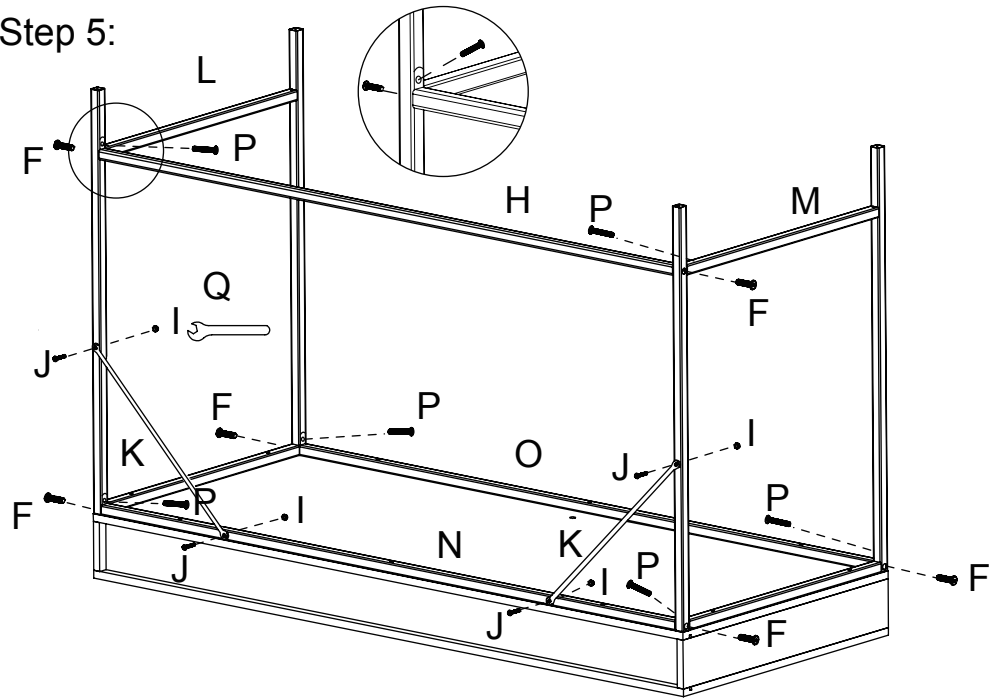
Step 3:



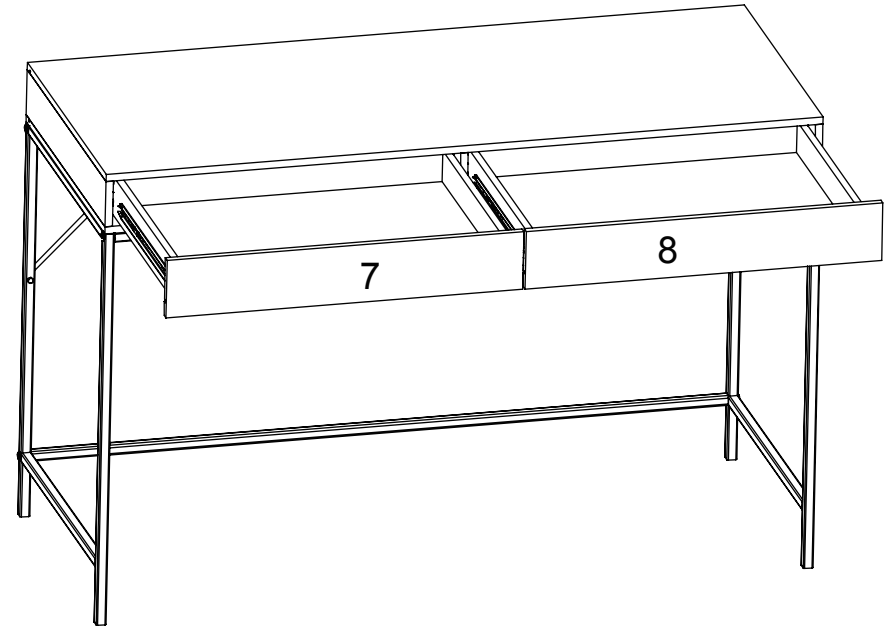
Step 4:



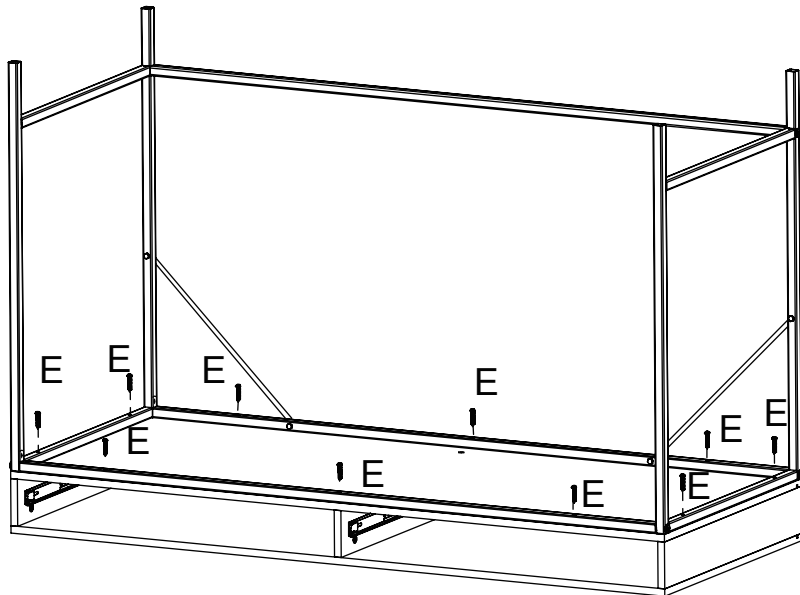
Step 5:



Step 7: please pay attention to the position of drawer(left/right).



Step 6:



Step 8: Fasten all screws firmly, assembly is now complete.

