

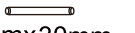
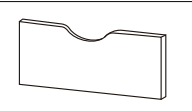
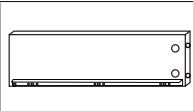
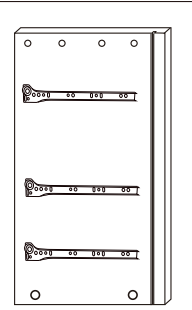
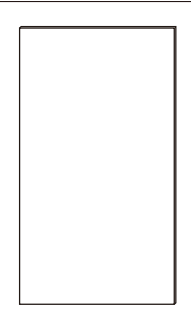
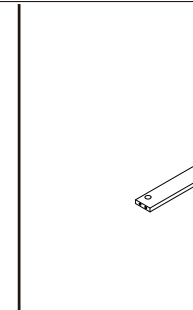
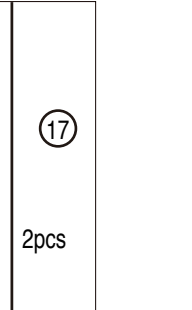

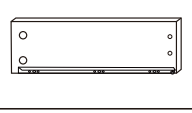
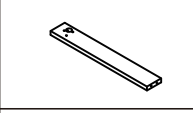
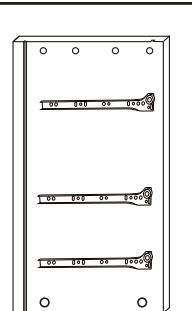
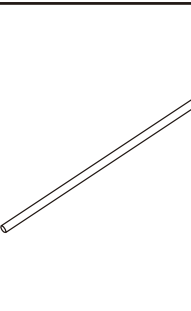
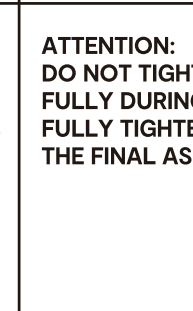
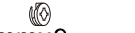
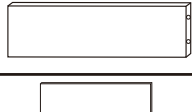
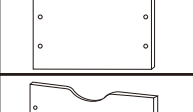


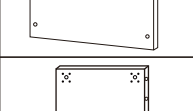
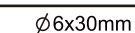
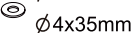
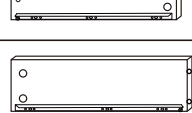
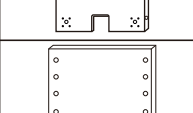

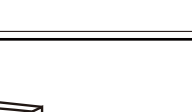







Assembly Instructions 42936923 DESK DRAWERS WHITE

CARE INSTRUCTIONS:

TO BE ASSEMBLED ON A CLEAN, DRY AND SMOOTH SURFACE. WIPE CLEAN WITH A SOFT DAMP CLOTH. NEVER USE SCOURERS, ABRASIVES OR CHEMICAL SOLVENTS. CHECK AND TIGHTEN ALL PARTS REGULARLY. KEEP AWAY FROM MOISTURE AND DIRECT SUNLIGHT. STORE IN A DRY PLACE. FOR INDOOR USE ONLY.

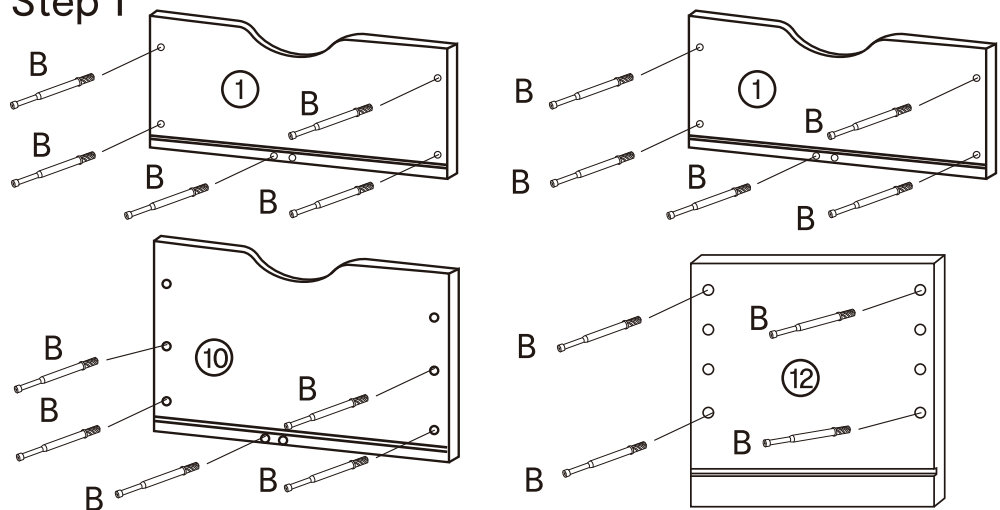
WARNING!

DO NOT STAND, SIT OR LEAN ON THIS UNIT. DO NOT USE THIS TABLE AS A STEP LADDER OR AS A CHOPPING SURFACE. ENSURE THIS TABLE IS USED ONLY ON A FLAT SURFACE. DO NOT USE THIS TABLE UNLESS ALL BOLTS AND SCREWS ARE FIRMLY SECURED. DO NOT PLACE HOT ITEMS SUCH AS COFFEE CUPS DIRECTLY ON THE SURFACE OF THIS FURNITURE ITEM. KEEP AWAY FROM CHILDREN AND BABIES. THIS PACKAGE CONTAINS SMALL PARTS AND SHARP POINTS. ADULT ASSEMBLY REQUIRED. A MILD ODOUR MAY BE PRESENT WHEN FIRST OPENING THIS CARTON. SIMPLY ALLOW TO AIR OUTSIDE AND THIS WILL FADE. **MAXIMUM SAFE LOAD LIMIT: 5KG ON TOP, 1ST, 2ND DRAWER, 10 KG ON BOTTOM DRAWER. FAILURE TO FOLLOW THESE WARNINGS COULD RESULT IN SERIOUS INJURY.**

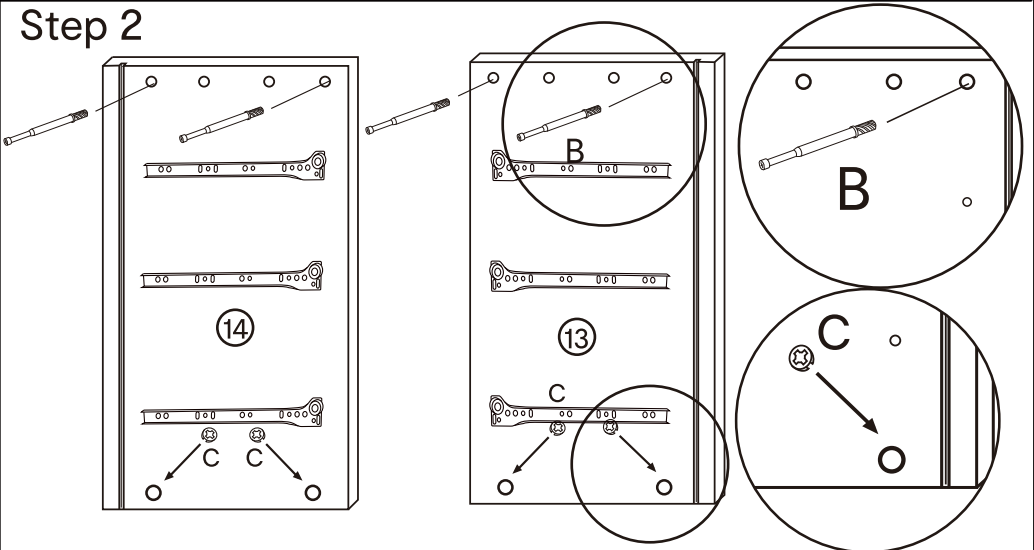
			Hardware list										
	A	11pcs		①		⑦							
	B	23pcs		②		⑧		⑬		⑮			
	C	23pcs		③		⑨							⑰
	D	20pcs		④		⑩							
 	E	1pcs		⑤		⑪							
	F	21pcs		⑥		⑫							
 x3  x2	G	5pcs											
	H	1pcs											
 	I	1pcs											
	J	4pcs											

ATTENTION:
DO NOT TIGHTEN THE SCREWS FULLY DURING ASSEMBLY. FULLY TIGHTEN SCREWS AFTER THE FINAL ASSEMBLY STEP.

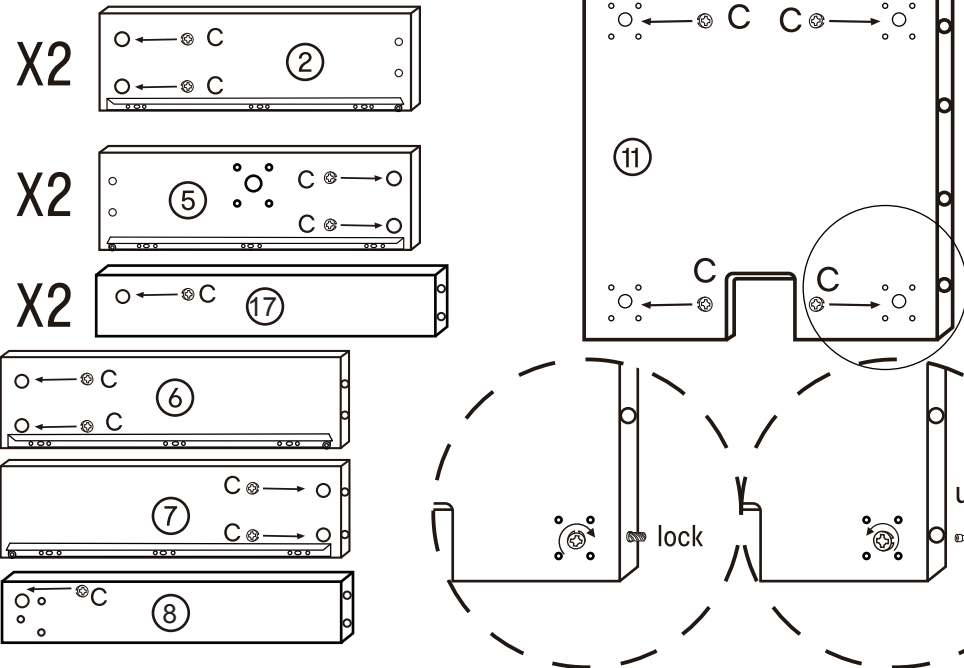
Step 1



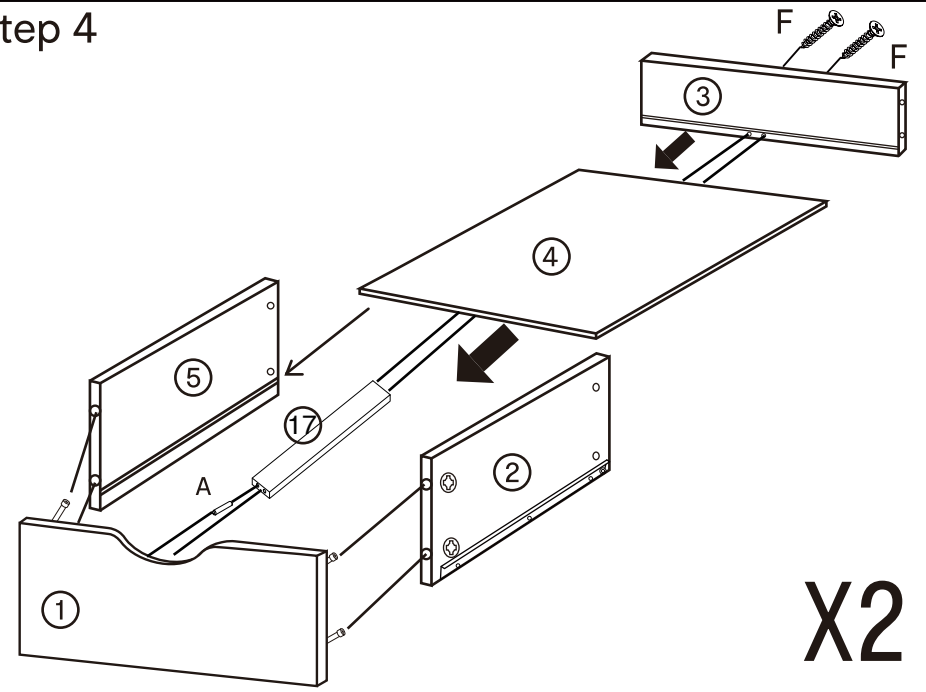
Step 2



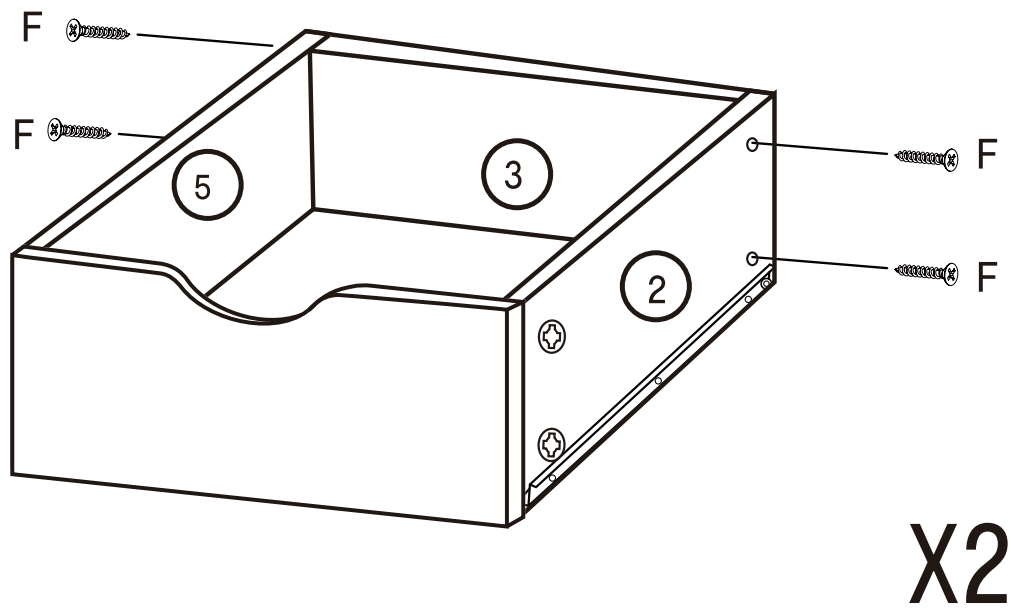
Step 3



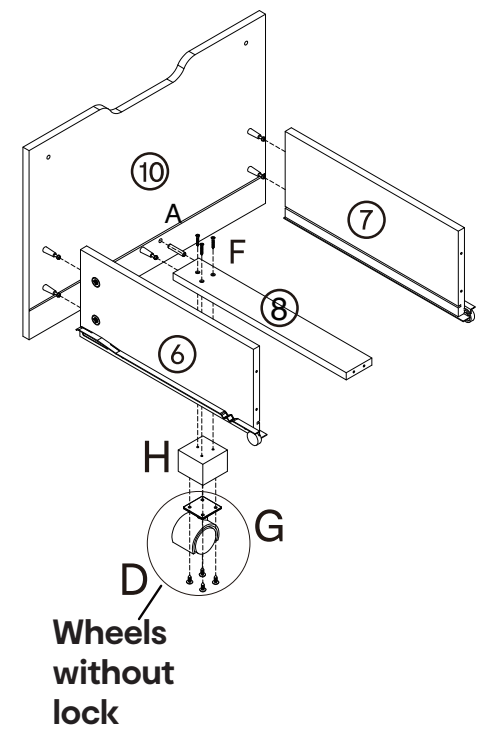
Step 4



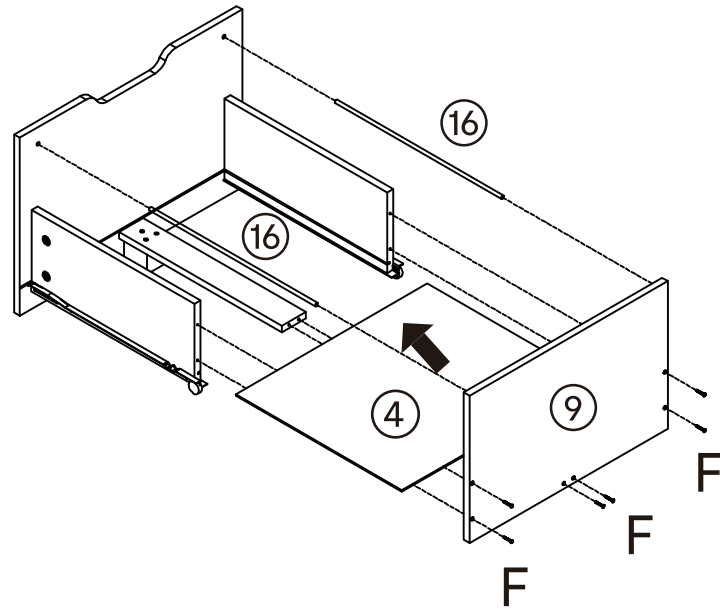
Step 5



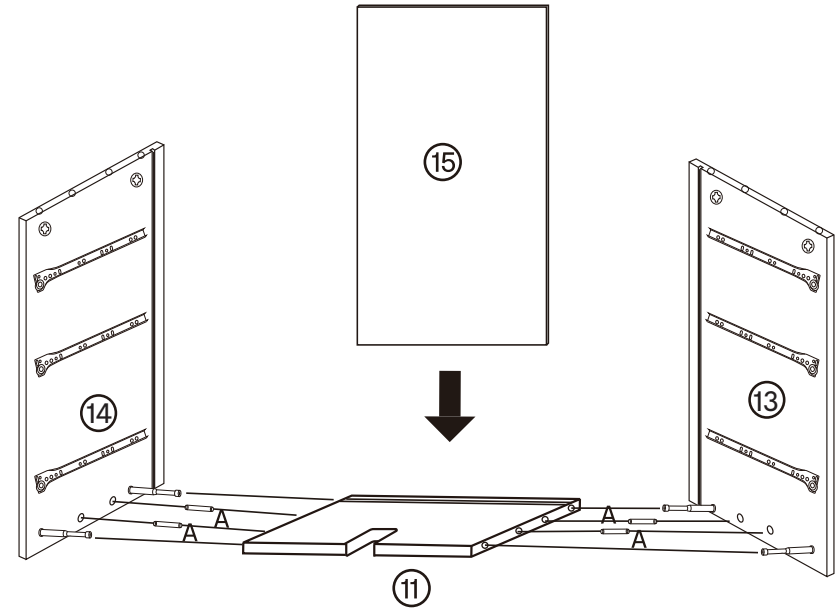
Step 6



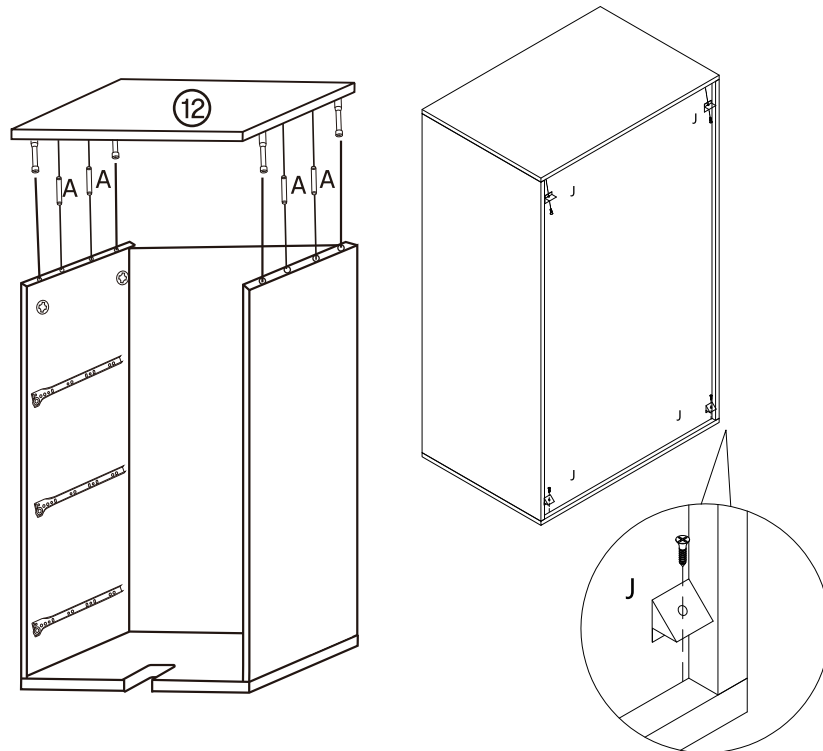
Step 7



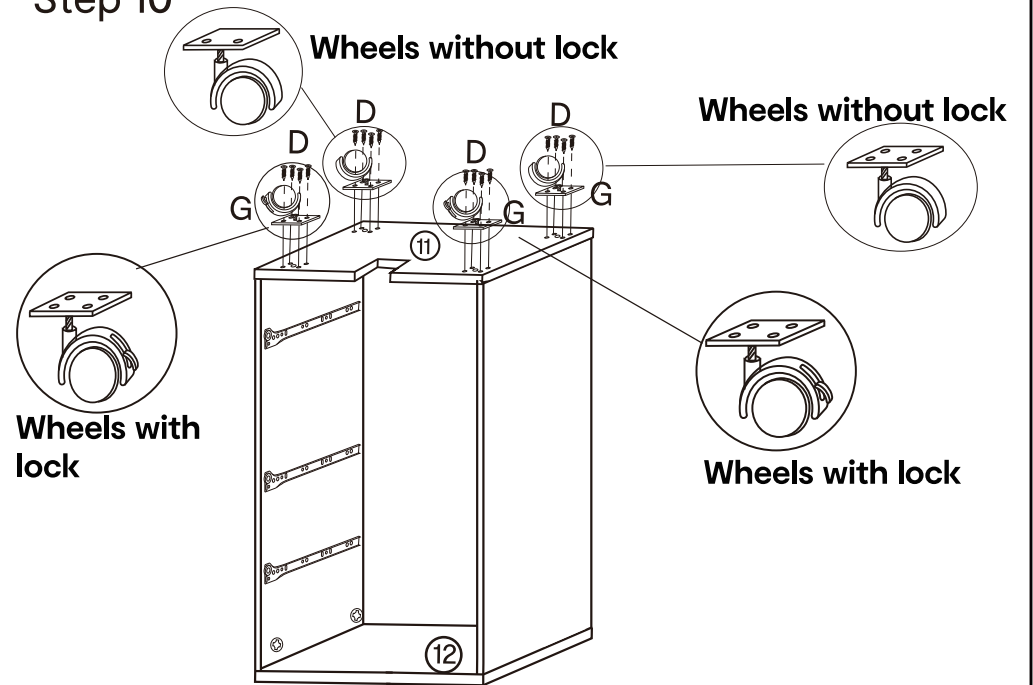
Step 8



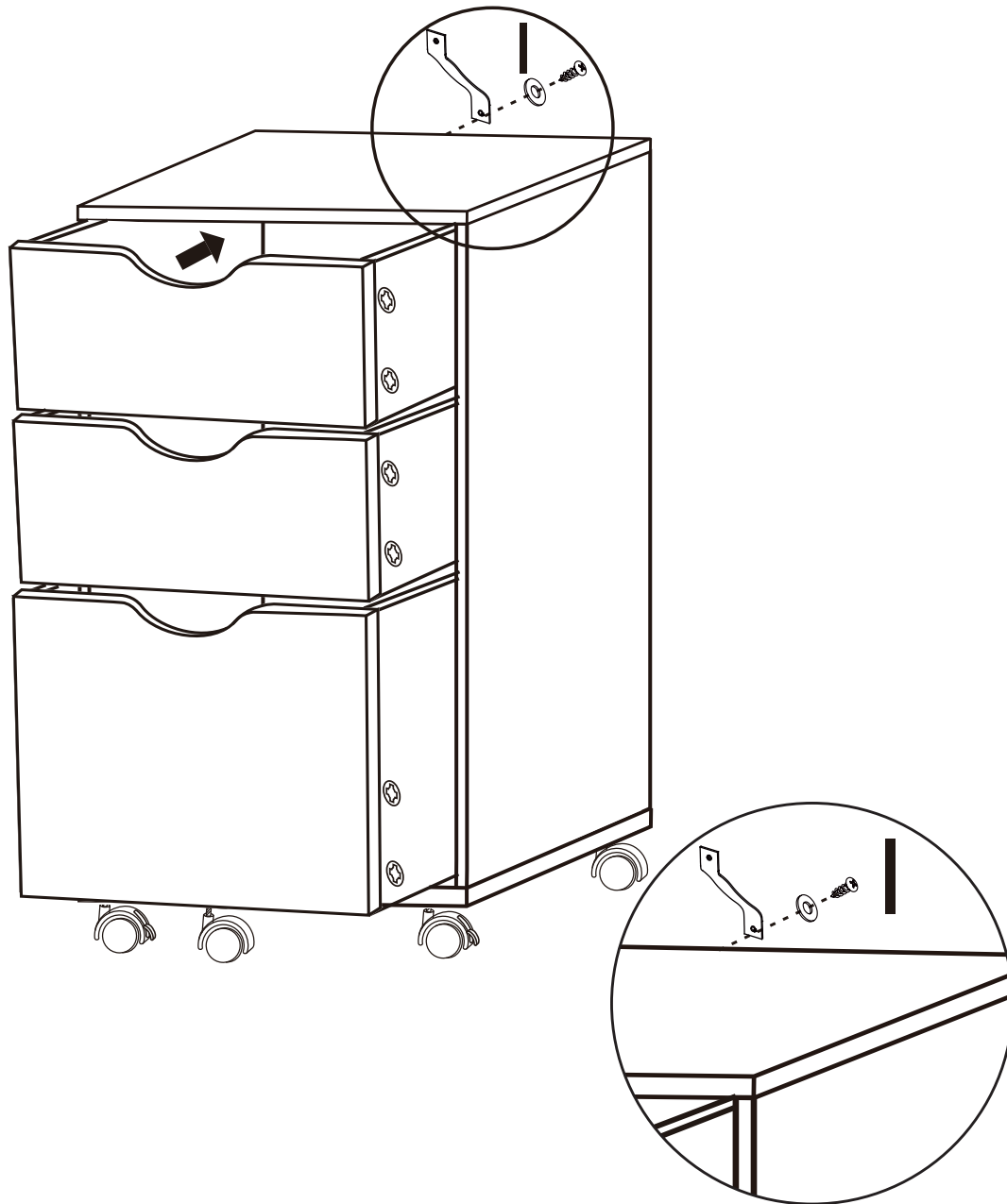
Step 9



Step 10

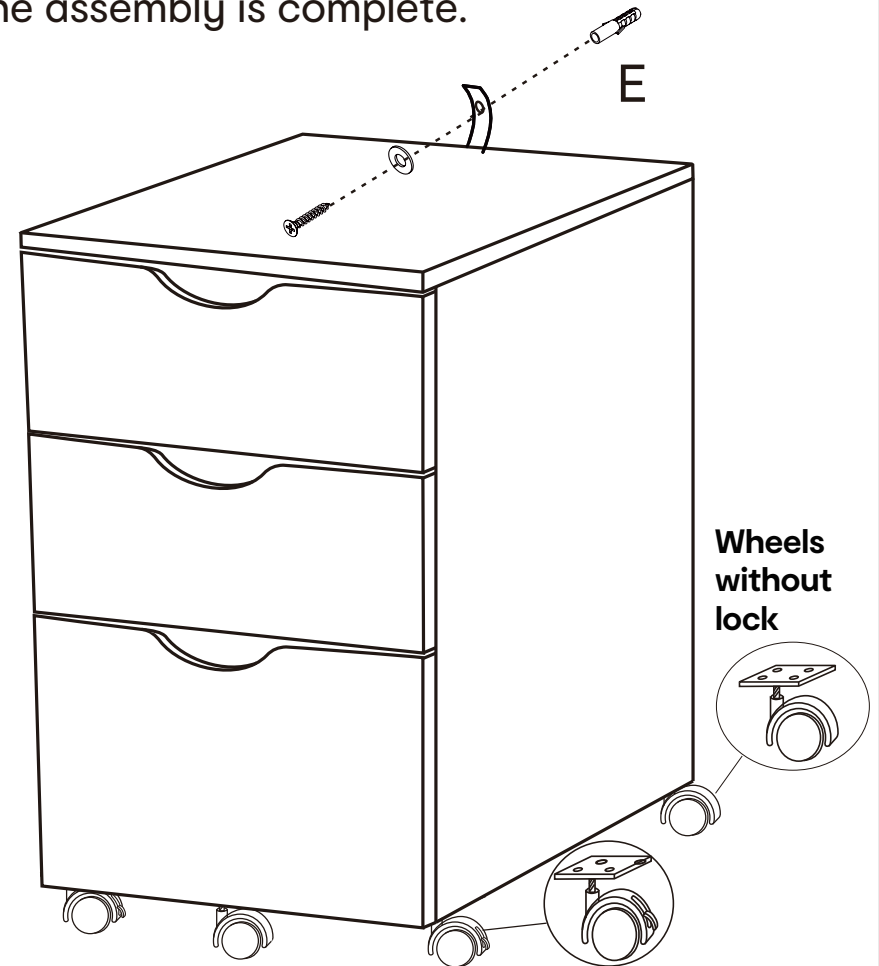


Step 11



Step 12

Fixed the whole product to the wall with part J.
then the assembly is complete.



**Wheels
without
lock**

Wheels with lock

TOPPLING FURNITURE WARNING:

- › It is strongly recommended that this product is permanently fixed to the wall.
- › Please seek professional advice if you are in doubt of What fixing device to use.
- › Regularly check that anchors are securely maintained.
- › Stability of tall items may be affected by thick pile carpet or uneven floors.
- › Do not place unanchored televisions on furniture.

Caution: for your safety When attaching the anchor fixings, please note the following:

- › Check any electrical Wires or plumbing inside the wall before drilling any holes (if you are unsure please seek professional advice from a qualified tradesperson)