



# 4-in-1 Climb N Slide Swing Set

## INSTRUCTION MANUAL

No. 2042  
Ages: 2 - 5y

**DO NOT DISCARD: IMPORTANT LITERATURE. KEEP THESE INSTRUCTIONS FOR FUTURE REFERENCE. OBSERVE ALL SAFETY WARNINGS AND CAUTIONARY STATEMENTS TO REDUCE THE RISK OF SERIOUS OR FATAL INJURY.**



### **WARNING:**

The toy is to be assembled by an adult. In unassembled state contains potentially hazardous small parts, so please keep out of baby's reach.

### **TO AVOID SERIOUS INJURY:**

DO NOT install this product on a hard surface. Fall onto hard surfaces could result in head or other serious injuries. Never put on concrete, asphalt, wood, packed earth or other hard surfaces. Carpet over hard floors may not prevent injury.

## **SAFETY INSTRUCTIONS**

**WARNING:** This product is designed for family domestic use only. Suitable for indoor and outdoor use. Adult assembly required. Cross-head screwdriver (not included) required during assembly.

**WARNING:** CHOKING HAZARD - Small parts. This product contains small parts and sharp points which are necessary for assembly. Prior to or during assembly of this product, keep all components out of children's reach. Small parts pose a choke hazard to children under 3 years of age.

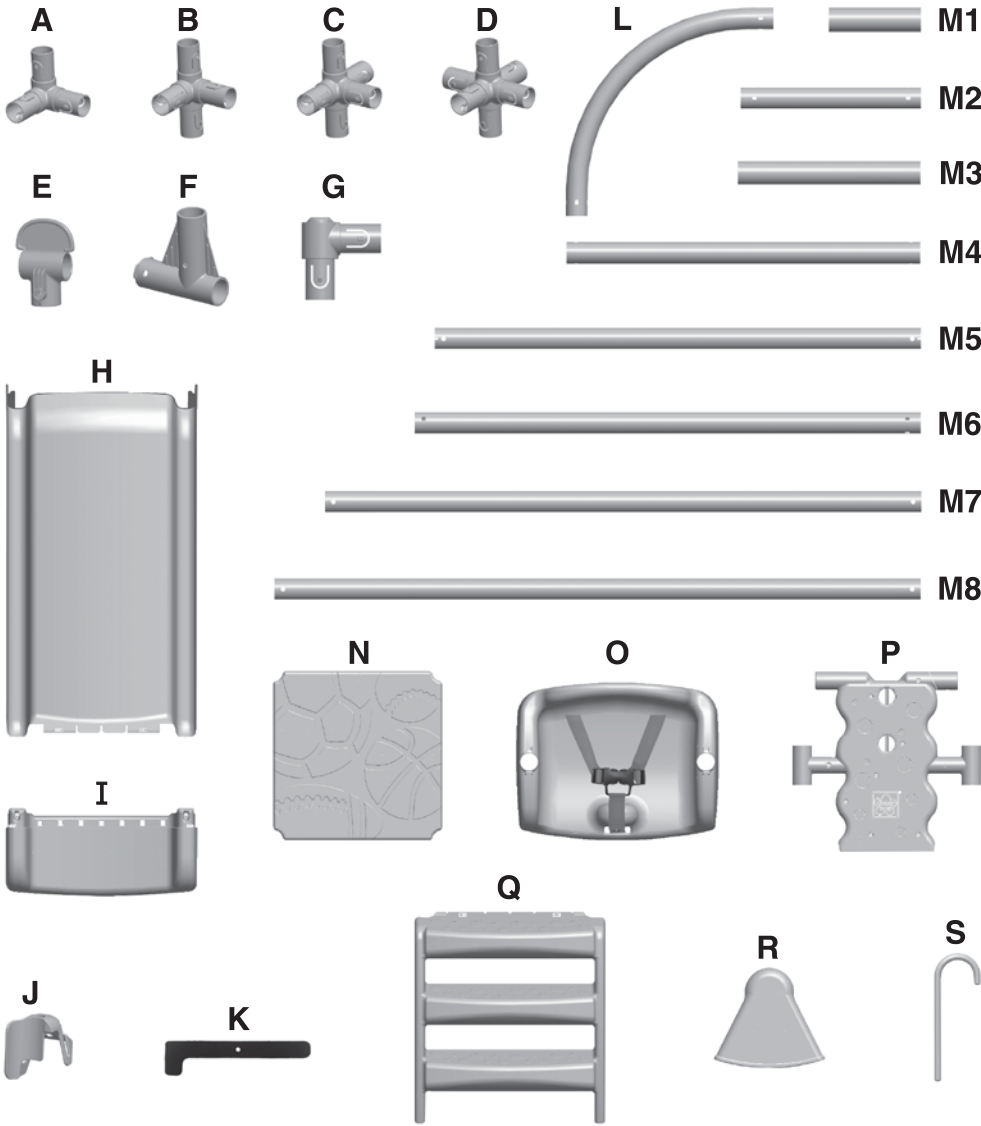
- Recommend to place the activity toy on a level surface at least 2 m (6.5 feet) from any structure or obstruction such as a fence, garage, house, overhanging branches, laundry lines or electrical wires.
- Instruct children on proper use of this product, only after properly installed and assembled, and not in any manner other than intended.
- Adult supervision required at all time. DO NOT leave children unattended.
- Dress children appropriately while on and around this product. Use well-fitting shoes that do not have slippery soles. DO NOT allow children to wear ponchos, scarves, hoods, jewelry, loose shoes, loose-fitting clothing, neckties, clothing with loose strings and/or clothing that might be potentially hazardous while using this product.
- Slide feet first. One child at a time.
- Teach and instruct children to sit in the center of the swings with their full weight on the seats. Do not allow children to stand on the swing seats.
- Always keep safety strap secure during use.
- Instruct children to hold on to swing with both hands.
- Warn children not to get off the equipment while in motion.
- DO NOT swing empty seats. These may hit other children or yourself.
- DO NOT allow children to stand, walk close to, behind, in front of, or between moving plays. Instruct children to keep a safe distance away from moving plays to avoid being hit by items in play.
- DO NOT allow children to climb on the product when the product is wet. Slippery can result in slips or potential fall.
- When temperature falls below 32°F/0°C, outdoor use of this product is not recommended. In extreme cold, plastic materials lose resilience and may become brittle and crack upon impact. Remove and store product indoors.
- Warning! Maximum weight: 50 Lbs (23 kg) on each individual play. Limit 2 children at any one time.
- Warning. This product is intended for use by children ages 2 - 5 years.
- The minimum clearance that needs to exist between the swing element and the ground is 200mm.
- Instruct children to remove their bike or other sports helmet before using this product.
- THIS PRODUCT MUST BE ANCHORED FIRMLY TO SOLID GROUND. Detailed instructions on how anchoring is to be accomplished below the level of the playing surface or below ground surface to prevent tipping or injury resulting from a fall.
- DO NOT allow children to play on the playground equipment unit until it is completely installed and properly anchored. Serious or fatal injury could occur.

## **CARE AND MAINTENANCE**

- The owner of this product shall be responsible for maintaining the legibility of the warning labels.
- Check all coverings for bolts and sharp edges and replace when required.
- Replace defective parts in accordance with the manufacturer's instructions.
- Discard all packaging properly after unit has been assembled.
- Make sure all parts are securely snapped together before use.
- If slide chutes are exposed to direct sunlight, always check to make sure they are not too hot for children to use. If the slides are hot, pour cold water on the slide chutes until they cool and then wipe dry. Check slide chutes periodically during use.
- It is recommended that the slides be placed in a position unlikely to injure child's eyes with respect to sun.
- Clean the slides regularly with soapy water in order to avoid a build up of static electricity.
- DO NOT leave this item exposed to strong wind and inclement weather.
- NEVER attach any materials that are not specifically designed for use with this product, such as (but not limited to) jump ropes, clotheslines, pet leashes, cables and chains. These pose a potential strangulation hazards.
- This product should be installed over impact absorbing surfaces such as sand, wood-bark chips, rubber and foam.
- At the beginning of each play season: Rake and check depth of loose fill protective surfacing materials to prevent compaction and to maintain appropriate depth. Replace as necessary.
- At the beginning of each season as well as at regular intervals during the usage season:
  - check all nuts and bolts for tightness and tighten when required;
  - oil all metallic moving parts;
  - check all coverings and bolts for sharp edges and replace when required;
  - check swing seats, chains, ropes and other means of attachment for evidence of deterioration; replace when required in accordance with the manufacturer's instructions;
  - Check metal parts for rust. If found, sand and repaint using a non lead-based paint meeting the requirements of 16 CFR 1303.
- Twice a month during play season:
  - Tighten all hardware.
  - Check all protective coverings on bolts, pipes, edges, and corners. Replace if they are loose, cracked or missing.
  - Rake and check depth of loose fill protective surfacing materials to prevent compaction and to maintain appropriate depth. Replace as necessary.
- At the end of each play season or when the temperature drops below 32°F/0°C:
  - Rake and check depth of loose fill protective surfacing materials to prevent compaction and to maintain appropriate depth. Replace as necessary.
  - Remove the play gym and store indoor. In extreme cold weather, plastic materials lose resilience and may become brittle and crack upon impact.
- Never use pliers to tighten up screws – these can cause damages to both the paintwork and the special anti-corrosion painting.
- Tighten all nuts and bolts securely. Replace as necessary. If not checked regularly, bolts can be loose or missed and components can become detached and cause injuries.
- When the time comes to disassemble and dispose of this playground unit, please completely disassemble the unit and discard of it in a safe place and manner so as not to present any hazard to any individual.

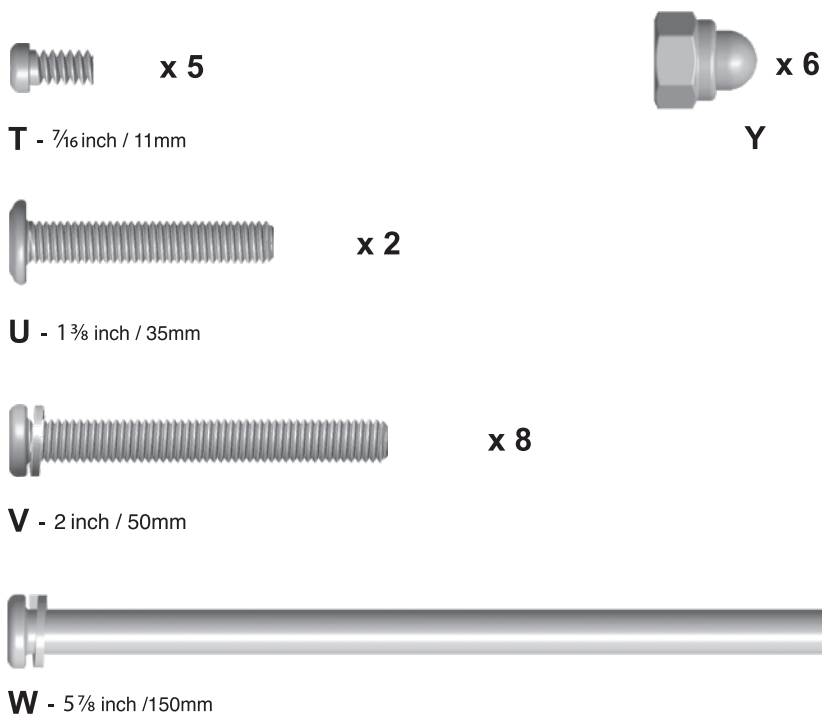
# PARTS

Illustrations not in scale.



PARTS LIST		
#	DESCRIPTION	QTY
A	3 way - Joint	8
B	4 way - Joint	11
C	5 way - Joint	8
D	6 way - Joint	1
E	Swing Joint	2
F	Frame Joint	2
G	2 way - Joint	3
H	Slide	1
I	Slide Extension	1
J	Slide Cover	2
K	Touch Fastener	2
L	Handle Bar	4
M1	Tube - 136mm	2
M2	Tube - 271mm	52
M3	Tube - 275mm	1
M4	Swing Handle Bar - 497mm	2
M5	Metal Top Bar - 729mm	1
M6	Tube - 759mm	2
M7	Frame Tube - 913mm	1
M8	Metal Side Support Bar - 970mm	2
N	Platform	2
O	Seat	1
P	Board	1
Q	Ladder	1
R	Swing Joint	1
S	Anchor	2
T	Screw - 7/16 inch / 11mm	5
U	Screw - 1 3/8 inch / 35mm	2
V	Screw - 2 inch / 50mm	8
W	Screw - 5 7/8 inch / 150mm	2
Y	Nut	6

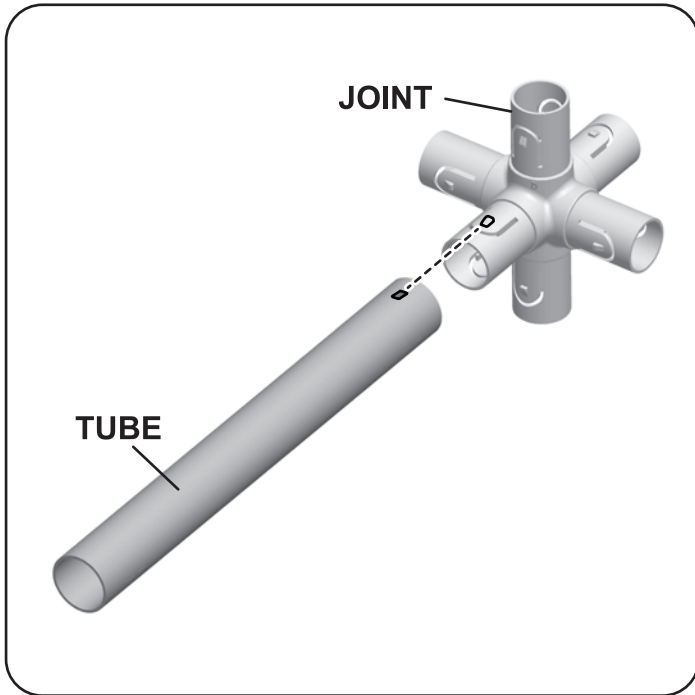
## FASTENER SHOWN ACTUAL SIZE



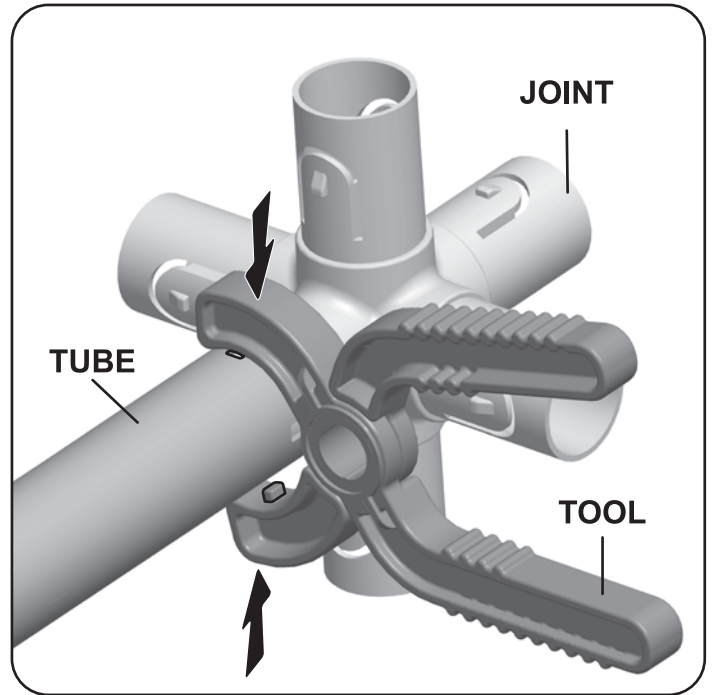
## TOOL



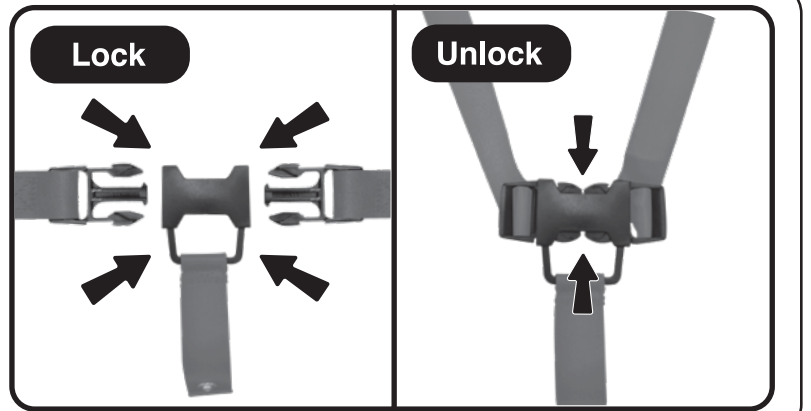
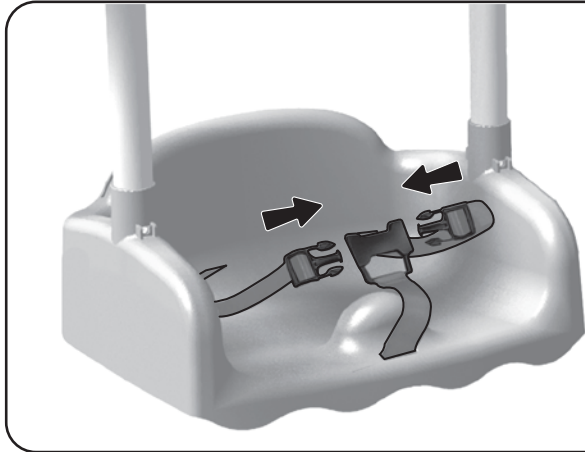
## HOW TO ASSEMBLE A JOINT:



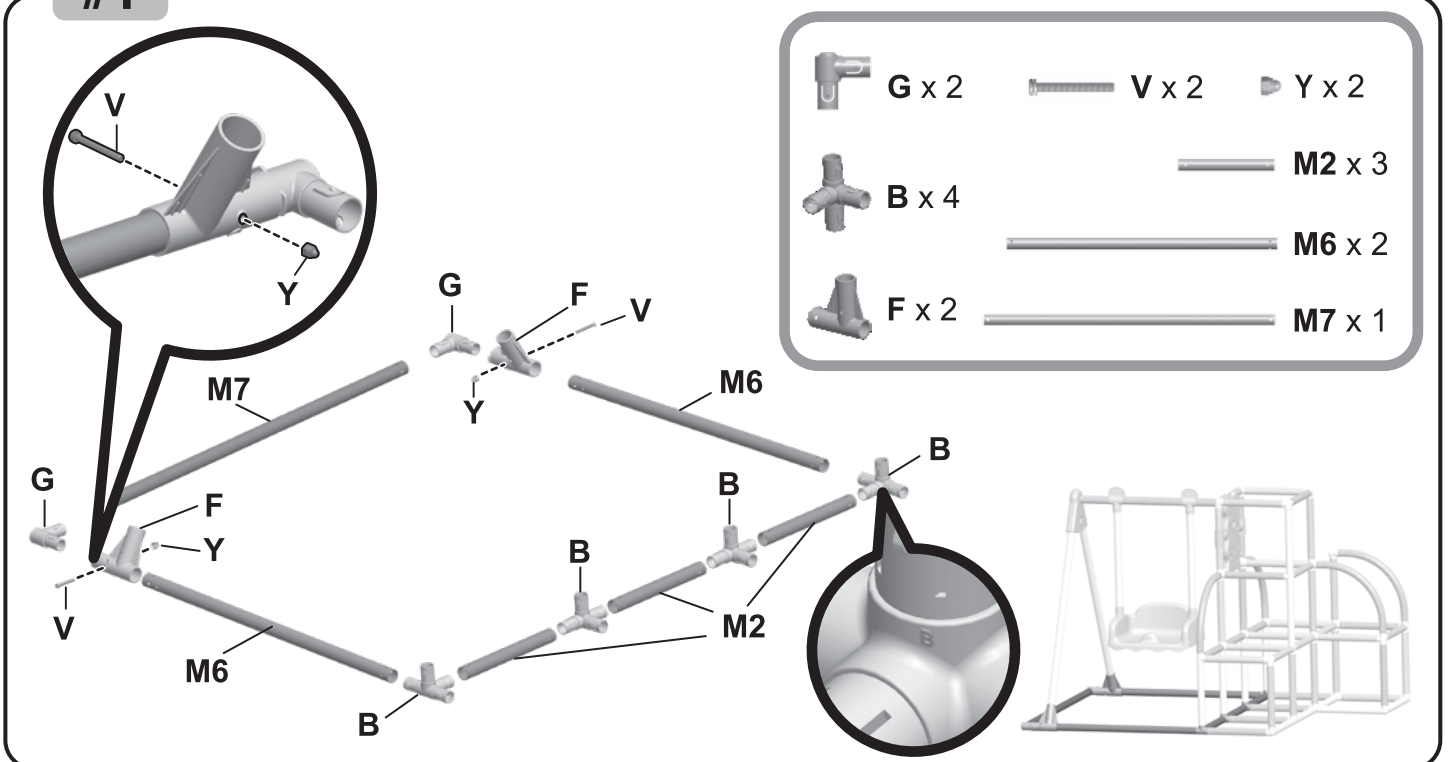
## HOW TO DISASSEMBLE A JOINT:



## HOW TO LOCK:

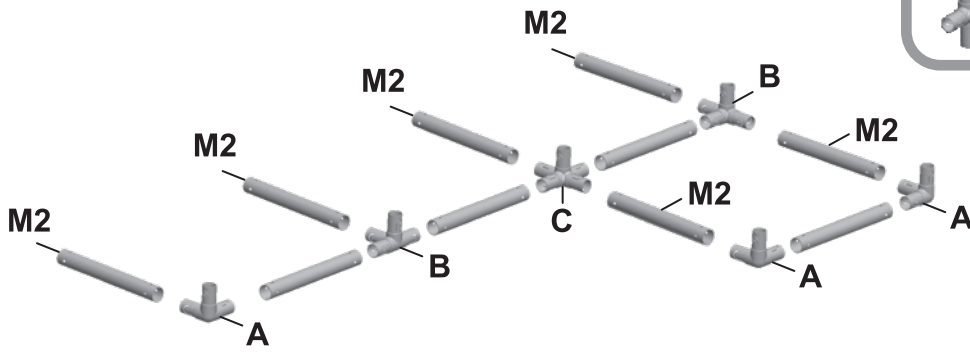


#1

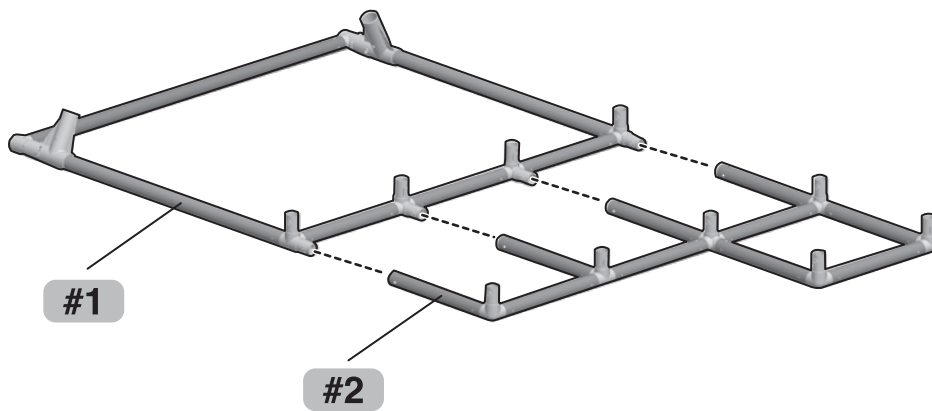


#2

- A x 3
- B x 2
- C x 1
- M2 x 10

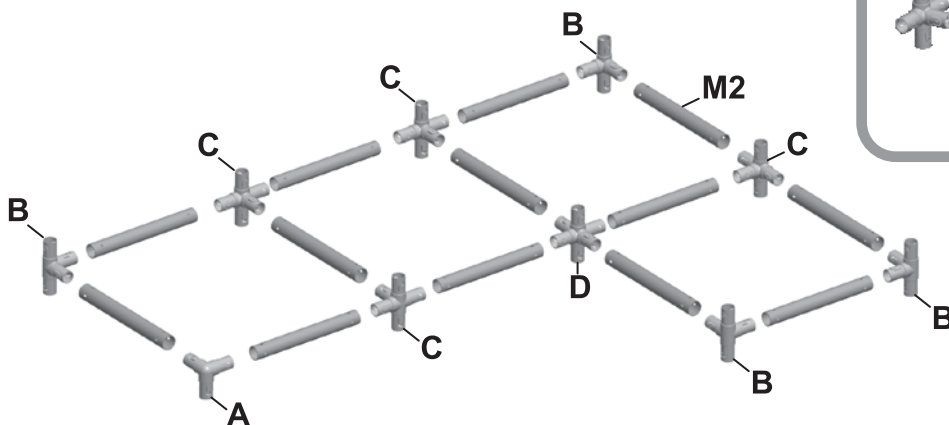


#3

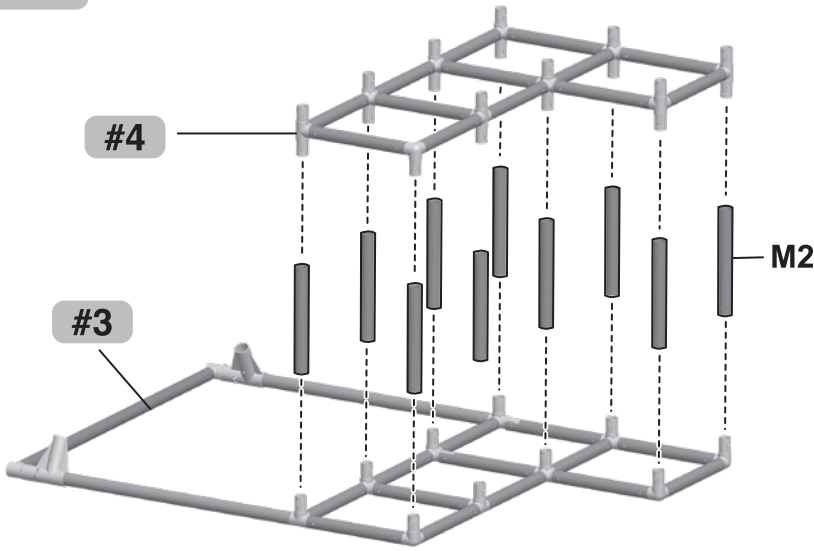


#4

- A x 1
- B x 4
- C x 4
- D x 1
- M2 x 13



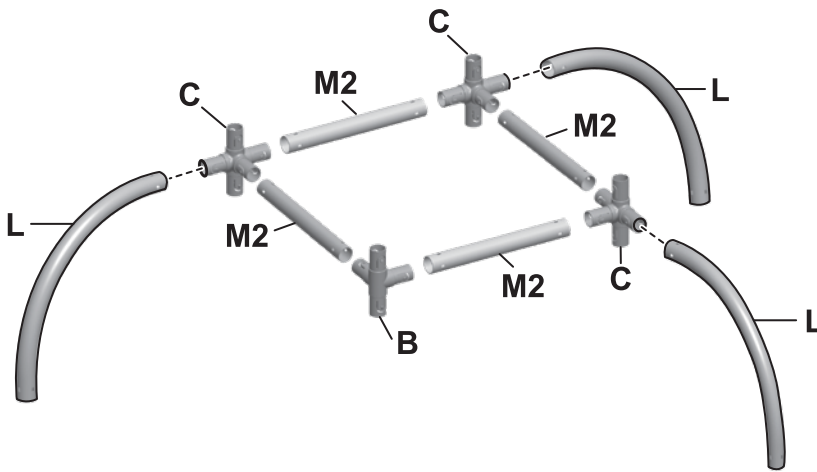
#5



M2 x 10



#6



B x 1



C x 3

M2 x 4

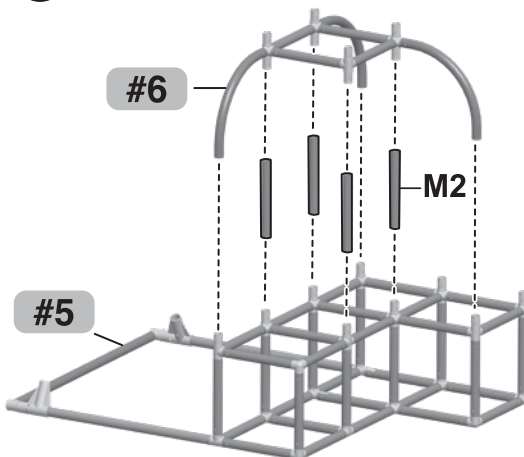


L x 3

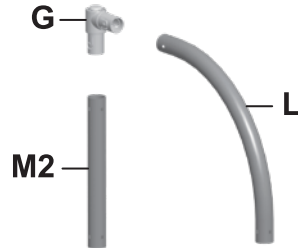


#7

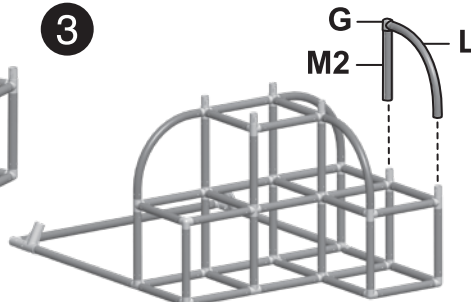
1



2



3



M2 x 5



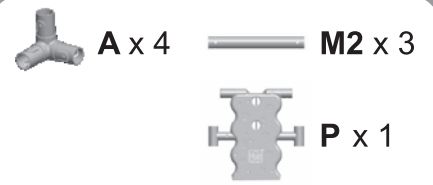
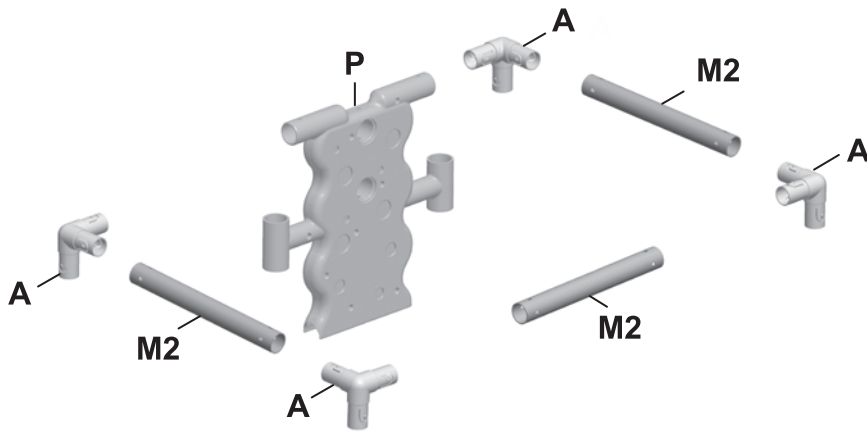
L x 1



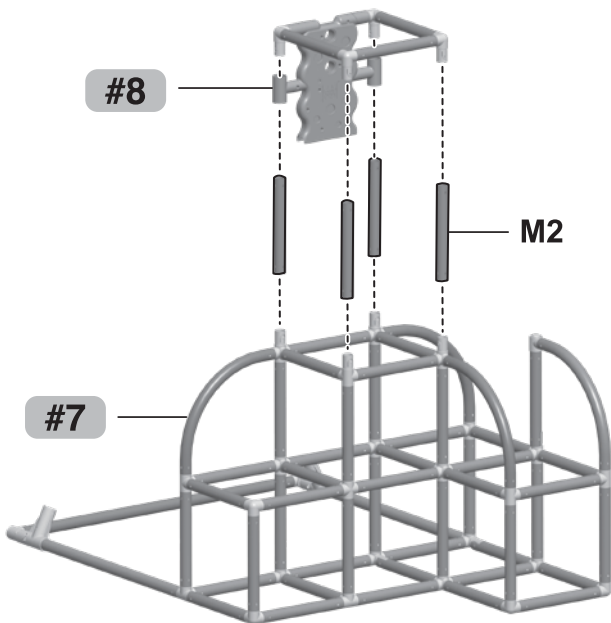
G x 1



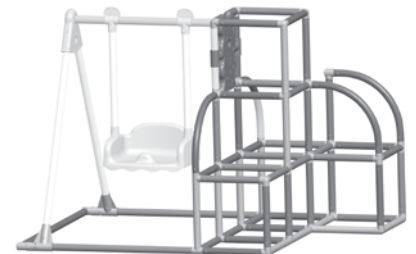
#8



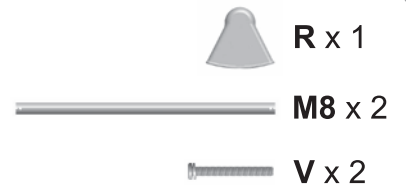
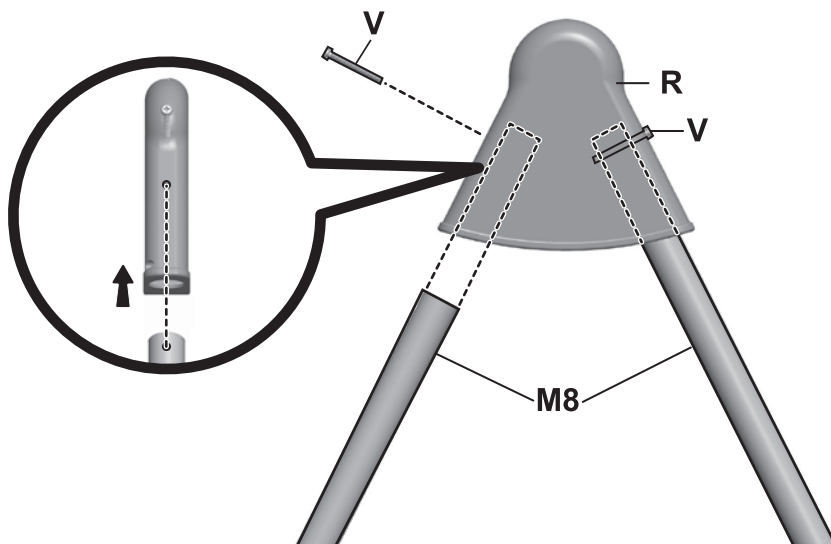
#9



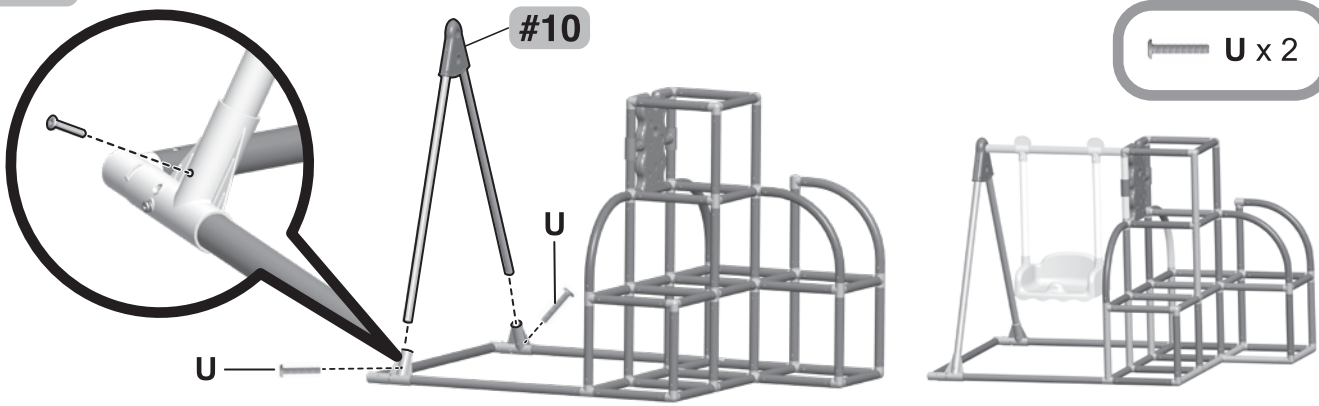
M2 x 4



#10

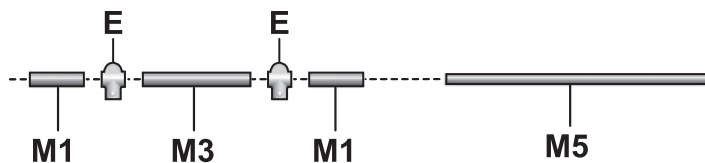


# #11

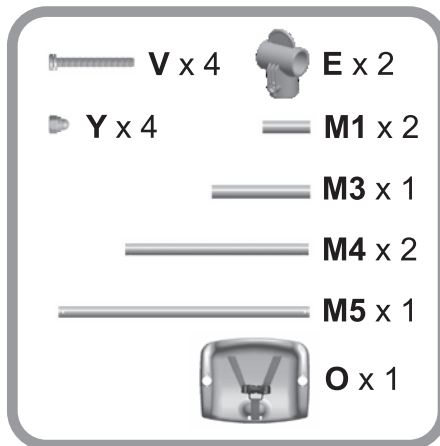
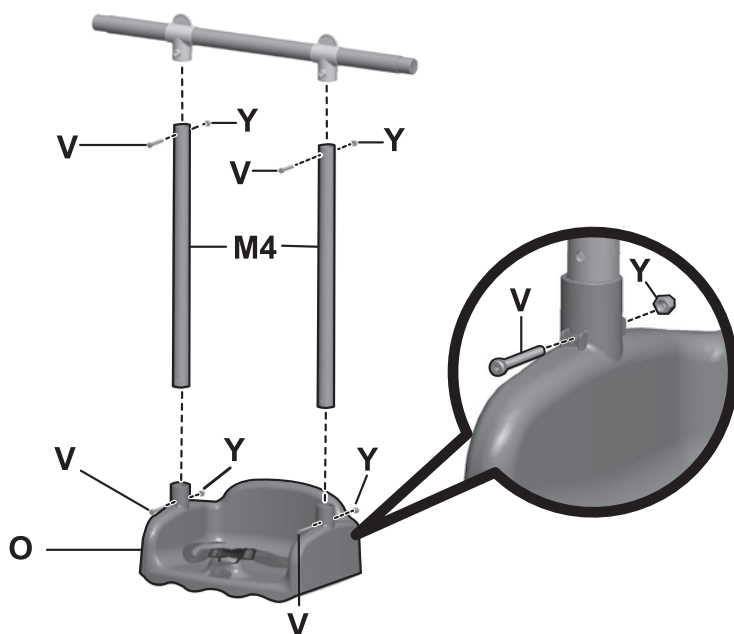


# #12

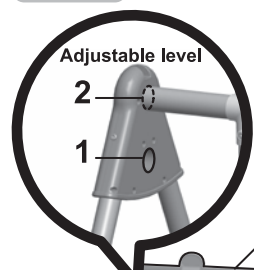
1



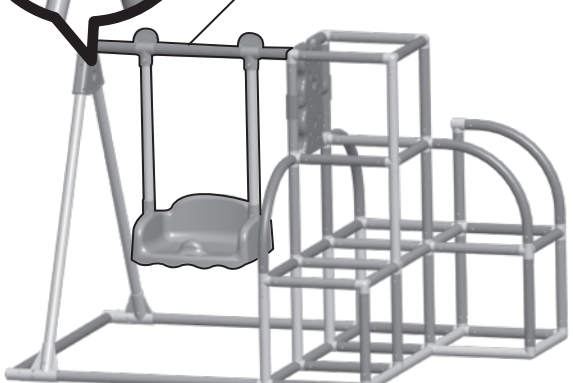
2



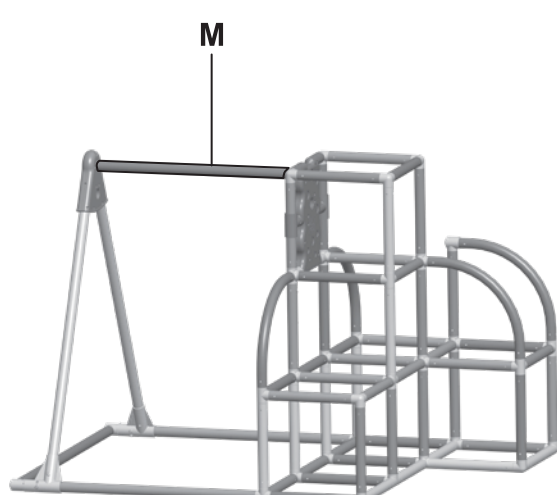
# #13



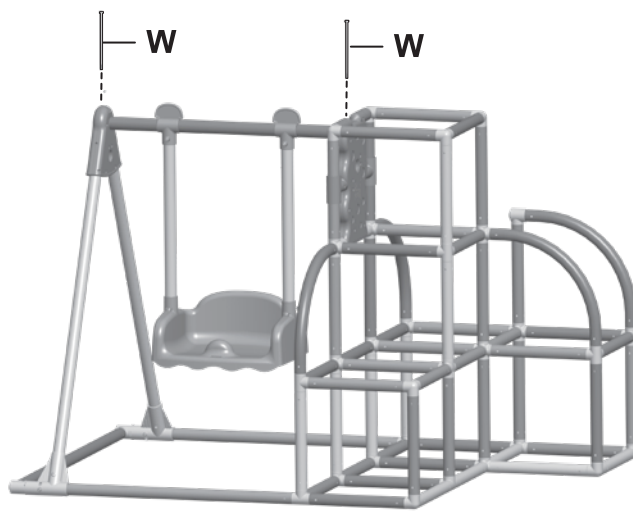
Swing



Monkey Bar

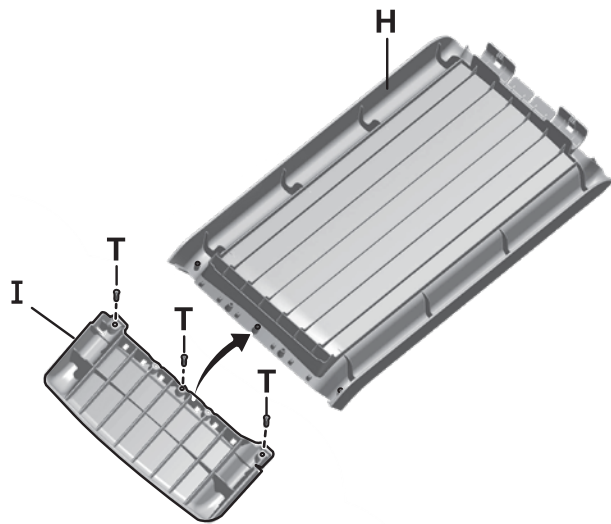


#14

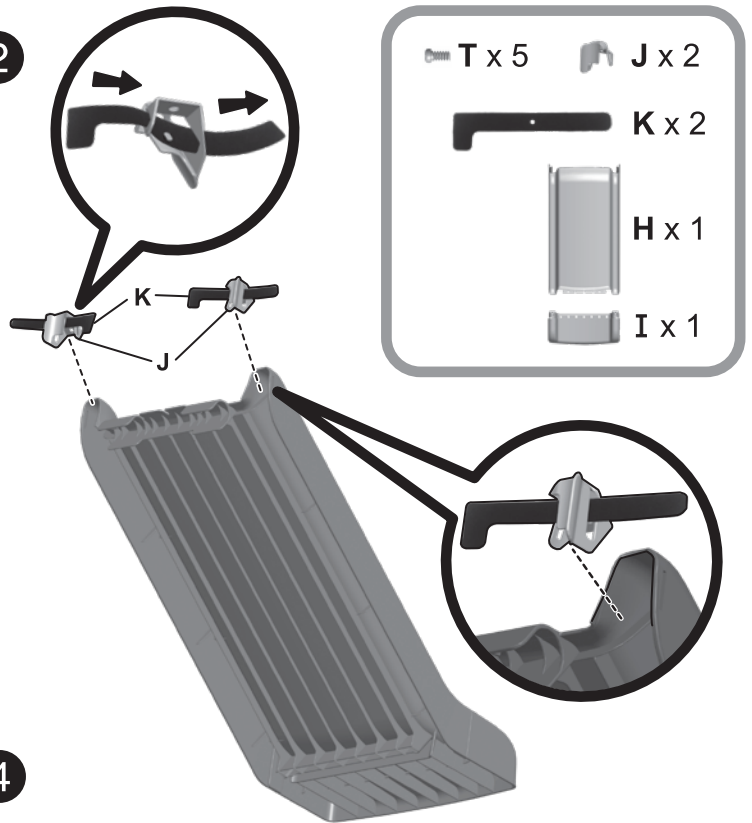


#15

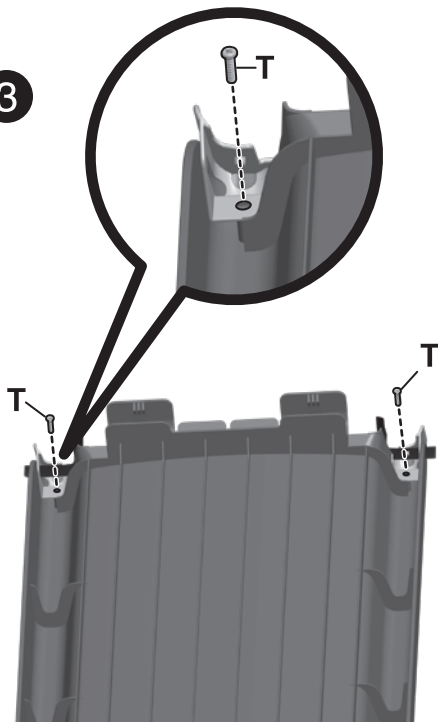
1



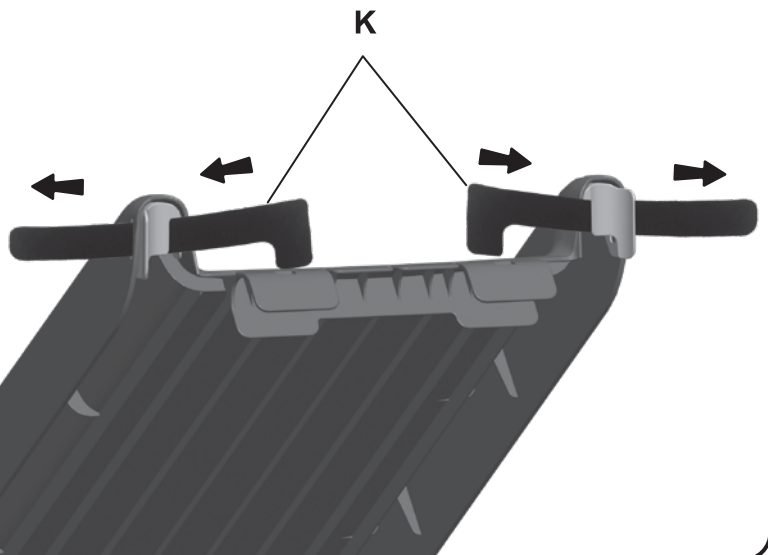
2



3



4





#16

1

2

#15

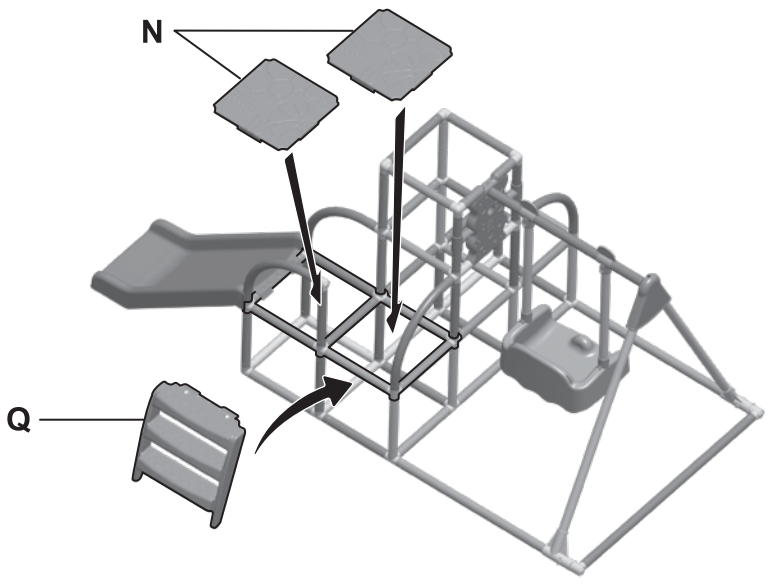


#17

N

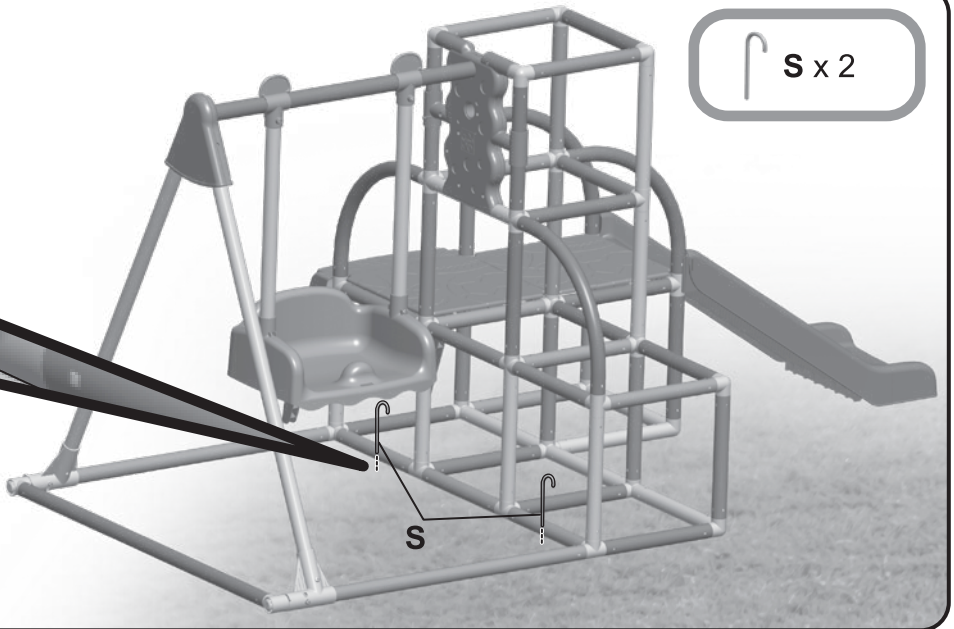
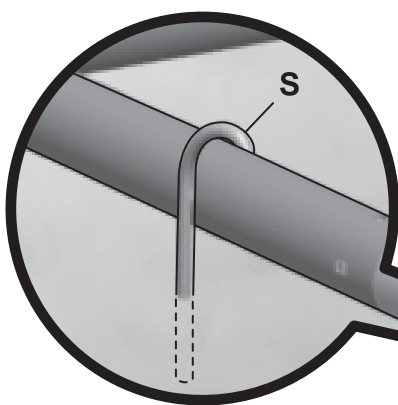
N x 2

Q x 1



#18

S x 2



# Consumer information sheet for playground surfacing materials

**Maximum fall height for this product is 3 ft 3 inch (995 mm)**

The US Consumer Product Safety Commission (CPSC) estimates that about 100 000 playground equipment related injuries resulting from falls to the ground surface are treated annually in US hospital emergency rooms. Injuries involving this hazard pattern tend to be among the most serious of all playground injuries, and have the potential to be fatal, particularly when the injury is to the head. The surface under and around playground equipment can be a major factor in determining the injury-causing potential of a fall. It is self-evident that a fall on to a shock-absorbing surface is less likely to cause a serious injury than a fall onto a hard surface.

Playground equipment should never be placed on hard surfaces, such as concrete or asphalt, and while grass may appear to be acceptable, it may quickly turn to hard-packed earth in areas of high traffic. Shredded bark mulch, wood chips, fine sand or fine gravel are considered to be acceptable shock absorbing surfaces when installed and maintained at a sufficient depth under and around playground equipment.

Table B.1 lists the maximum height from which a child would not be expected to sustain a life-threatening head injury in a fall on to four different loose-fill surfacing materials if they are installed and maintained at depths of 150 mm, 225 mm and 300 mm.

**Table B.1 – Fall height in millimetres from which a life-threatening head injury would not be expected**

Type of material	Depth of surfacing material		
	150 mm	225 mm	300 mm
Double shredded bark mulch	1800	3000	3300
Wood chips	1800	2100	3600
Fine sand	1500	1500	2700
Fine gravel	1800	2100	3000

However, it should be recognised that all injuries due to falls cannot be prevented, no matter what surfacing material is used.

It is recommended that a shock absorbing material extend a minimum of 1 800 mm in all directions from the perimeter of stationary equipment such as climbing frames and slides. However, because children may deliberately jump from a moving swing, the shock absorbing material should extend in the front and rear of a swing a minimum distance of twice the height of the pivot point measured from a point directly beneath the pivot on the supporting structure.

This information is intended to assist in comparing the relative shock-absorbing properties of various materials. No particular material is recommended over another. However, each material is only effective when properly maintained. Materials should be checked periodically and replenished to maintain correct depth as determined necessary for the equipment in question. The choice of a material depends on the type and height of the playground equipment, the availability of the material in a particular area, and its cost.

This information has been extracted from the CPSC publications “*Playground Surfacing – Technical Information Guide*” and “*Handbook for Public Playground Safety*”.

## LIMITED WARRANTY (Not applicable in Australia and New Zealand)

Our products are covered under warranty for a period of 1 year\* from the date of purchase, under normal use and service, against defective workmanship and material. If you have recently purchased this product and find it to be defective in anyway, kindly return it to the “Source of Purchase” for a Full Refund or Exchange.

Should the product no longer be covered by your Purchase Receipt, or should you have any questions pertaining to our product, please call our Toll Free Customer Service for assistance.

Keep a copy of the UPC Code with proof of purchase receipt for any future Warranty Service.

Please retain packaging and assembly instructions for future reference.

\*The warranty period is three (3) months for daycare or commercial purchasers.

**CUSTOMER SERVICE / ENQUIRIES**



US/Canada toll free hotline:  
**1-888-468-9898**  
 service@grow-n-up.com

Other countries:  
 support@grow-n-up.com  
 www.grow-n-up.com

©2020 Grow'n Up Limited.  
 All Rights Reserved.  
 Room 808B New Mandarin Plaza,  
 Tsim Sha Tsui, Kowloon, Hong Kong.  
**MADE IN CHINA (SZ)**