

# Assembly Instruction

## 42942016 STEWART BUFFET

### CARE INSTRUCTIONS:





WIPE CLEAN WITH A DRY CLOTH. DO NOT USE ABRASIVE MATERIALS AND SOLVENTS. CHECK AND TIGHTEN ALL PARTS REGULARLY. DO NOT PLACE HOT ITEMS SUCH AS COFFEE CUPS DIRECTLY ON THE SURFACE. KEEP AWAY FROM WATER AND DIRECT SUNLIGHT. STORE IN A DRY PLACE. FOR DOMESTIC USE ONLY. FOR INDOOR USE ONLY. A MILD ODOUR MAY BE PRESENT WHEN FIRST OPENING THIS CARTON. SIMPLY ALLOW TO AIR OUTSIDE AND THIS WILL FADE.

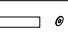
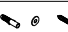


### WARNING:


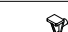
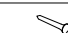

DO NOT STAND OR SIT ON THIS UNIT. DO NOT USE THIS UNIT UNLESS ALL BOLTS AND SCREWS ARE FIRMLY SECURED. DO NOT KNOCK OR DRAG THIS UNIT. USE ONLY ON A FLAT SURFACE. ADULT ASSEMBLY REQUIRED. FAILURE TO FOLLOW THESE WARNING COULD RESULT IN SERIOUS INJURY. LOAD DRAWER EVENLY TO PREVENT FROM TIPPING OVER. THIS PACKAGE CONTAINS SMALL PARTS AND SHARP POINTS. KEEP AWAY FROM CHILDREN AND BABIES.




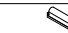
**MAXIMUM SAFE LOAD: 20KGS FOR TOP PANEL, 5KGS FOR INSIDE DRAWER, 10KGS FOR SHELF.**

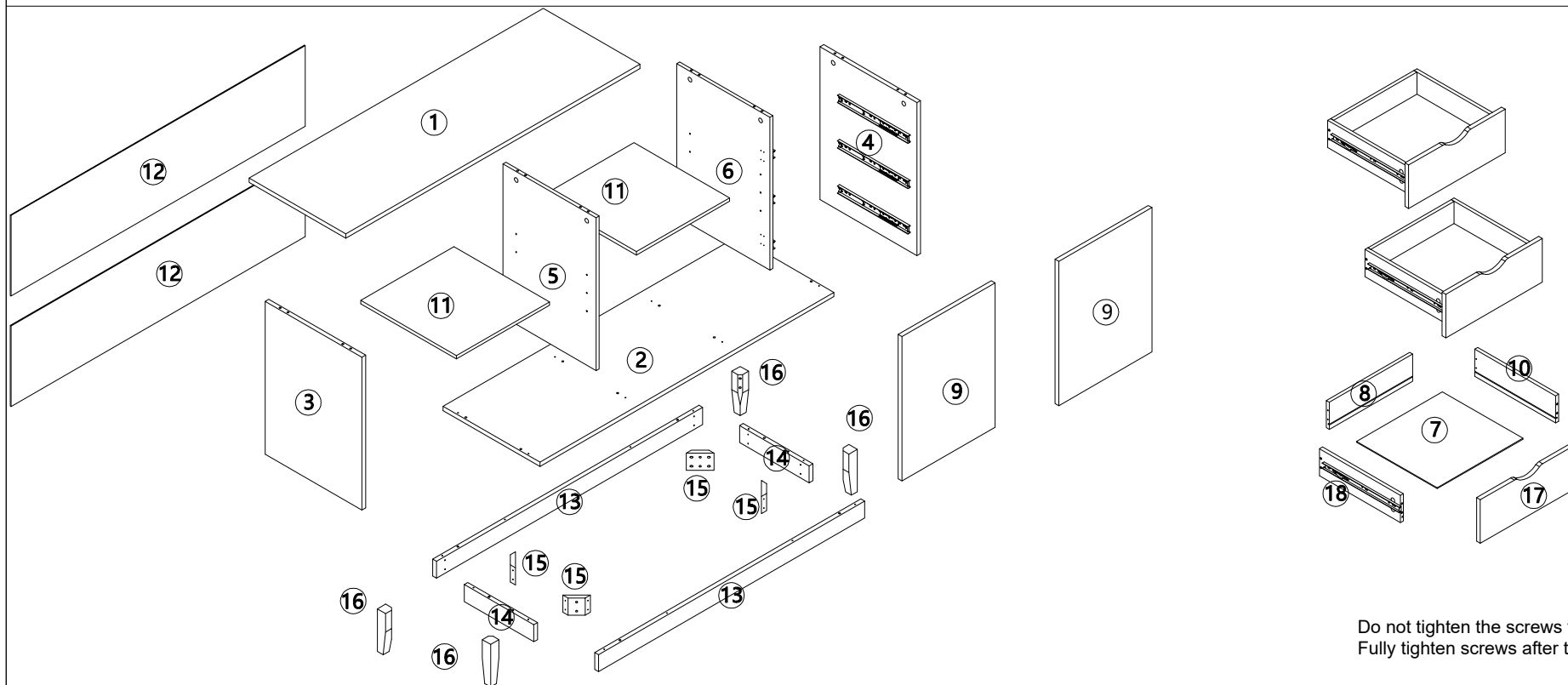
## Hardware List

	a	6x35mm	20pcs
	b	15x9.5mm	20pcs
	c	6x30mm	24pcs
	d	4x35mm	20pcs

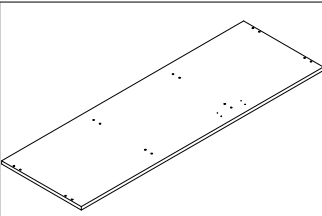
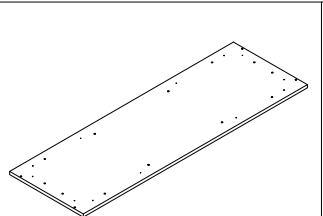
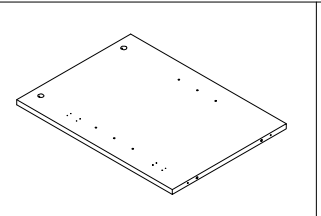
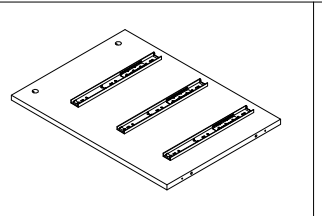
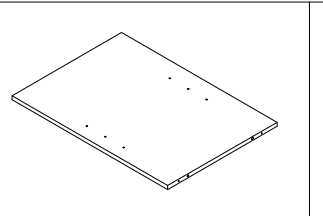
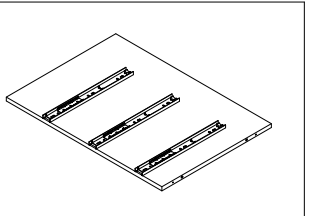
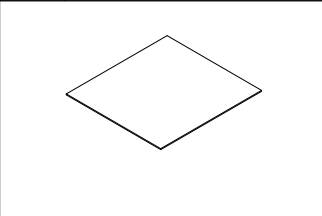
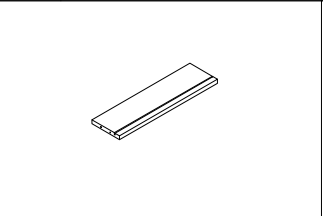
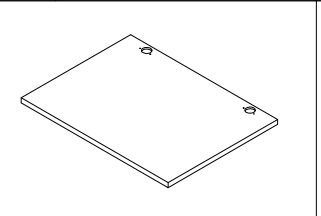
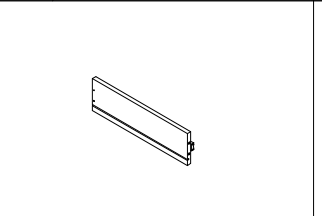
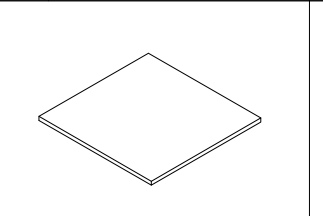
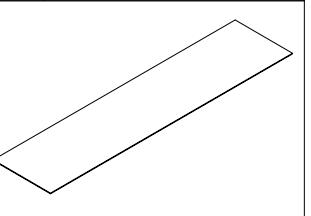
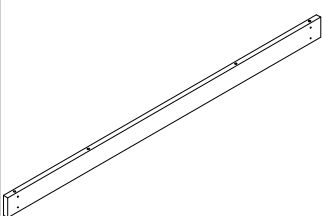
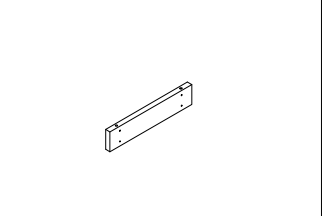
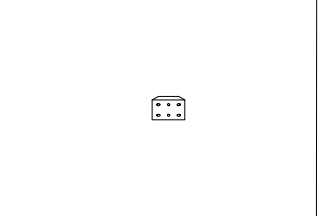
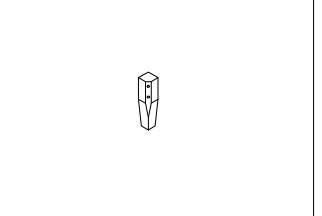
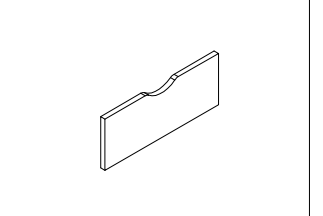
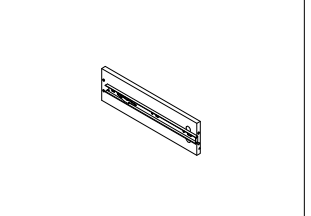
	e	4x12mm	2pcs
	f	4x35mm	2pcs
	g		2pcs
	h		2pcs

	i	4x14mm	24pcs
	j		8pcs
	k	2x16mm	16pcs
	l	4x55mm	12pcs

	m	4x25mm	16pcs
	n	6x55mm	8pcs
	o	4x12mm	4pcs
	p		2pcs

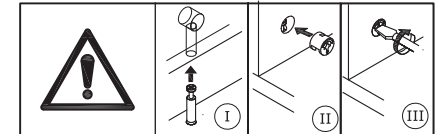
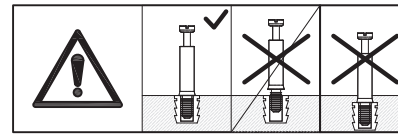
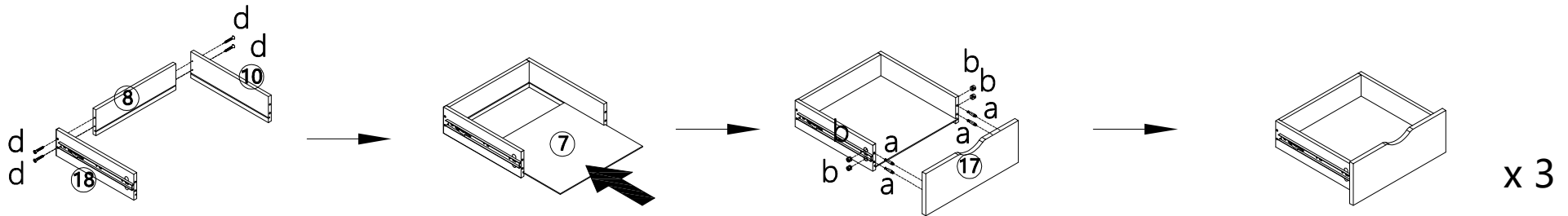


Do not tighten the screws fully during assembly.  
Fully tighten screws after the final assembly steps.



					
① 1PC	② 1PC	③ 1PC	④ 1PC	⑤ 1PC	⑥ 1PC
					
⑦ 3PCS	⑧ 3PCS	⑨ 2PCS	⑩ 3PCS	⑪ 2PCS	⑫ 2PCS
					
⑬ 2PCS	⑭ 2PCS	⑮ 4PCS	⑯ 4PCS	⑰ 3PCS	⑱ 3PCS

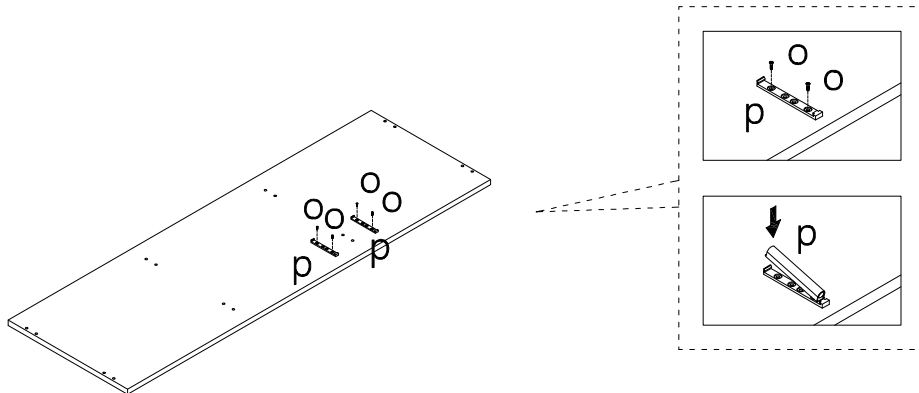
### Step 1:

 x 12    x 12    x 12



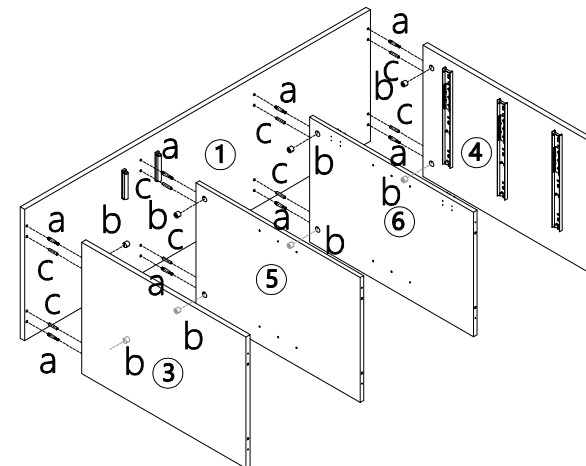
### Step 2:

 x 2    x 4

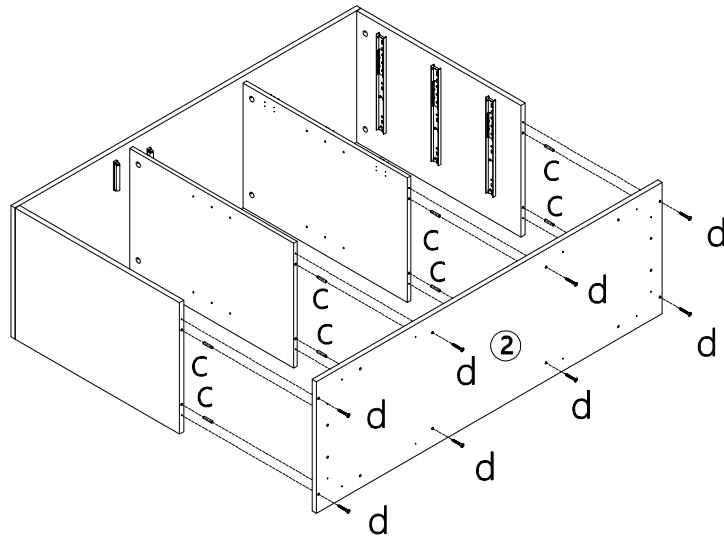


### Step 3:

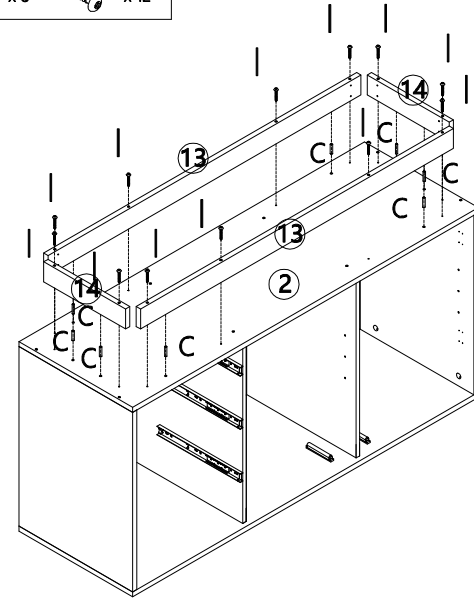
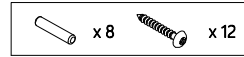
 x 8    x 8    x 8



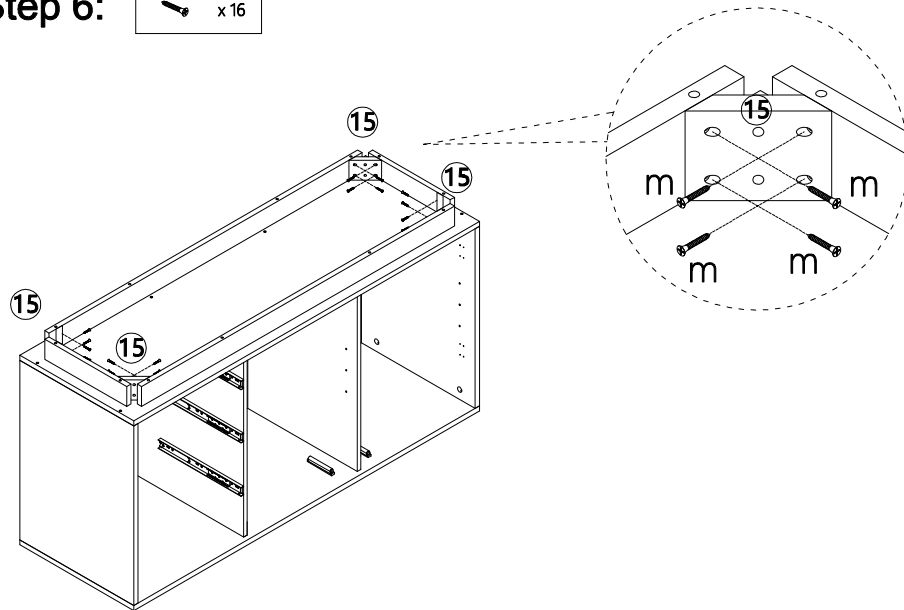
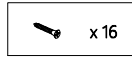
Step 4:



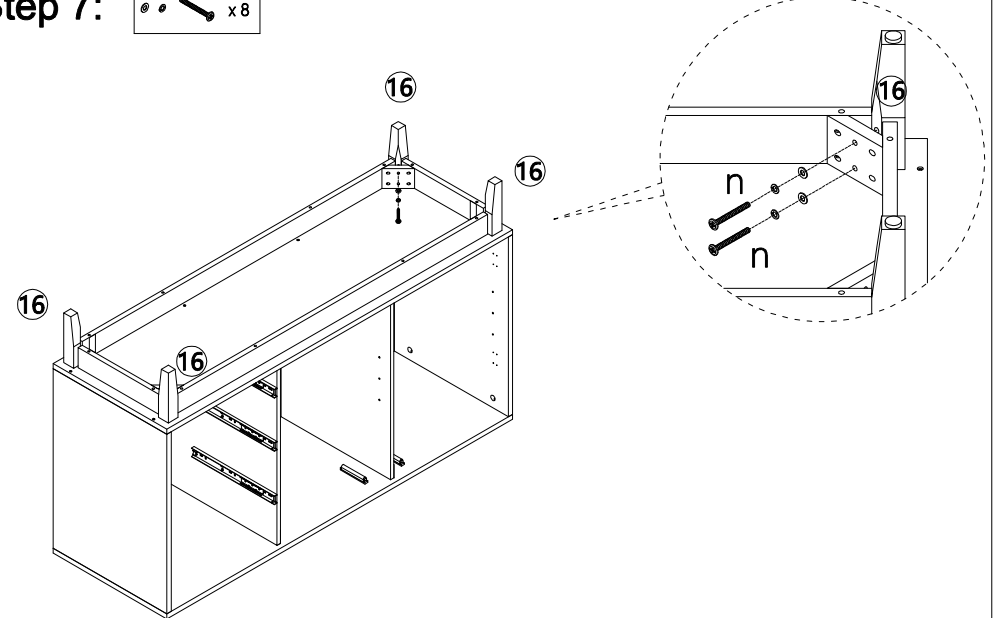
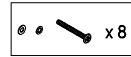
Step 5:



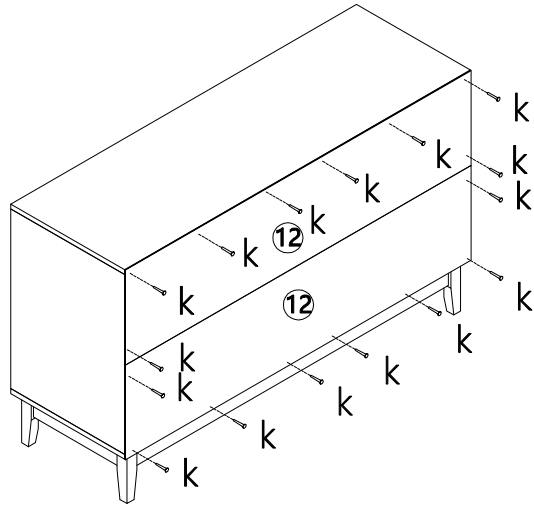
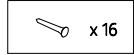
Step 6:



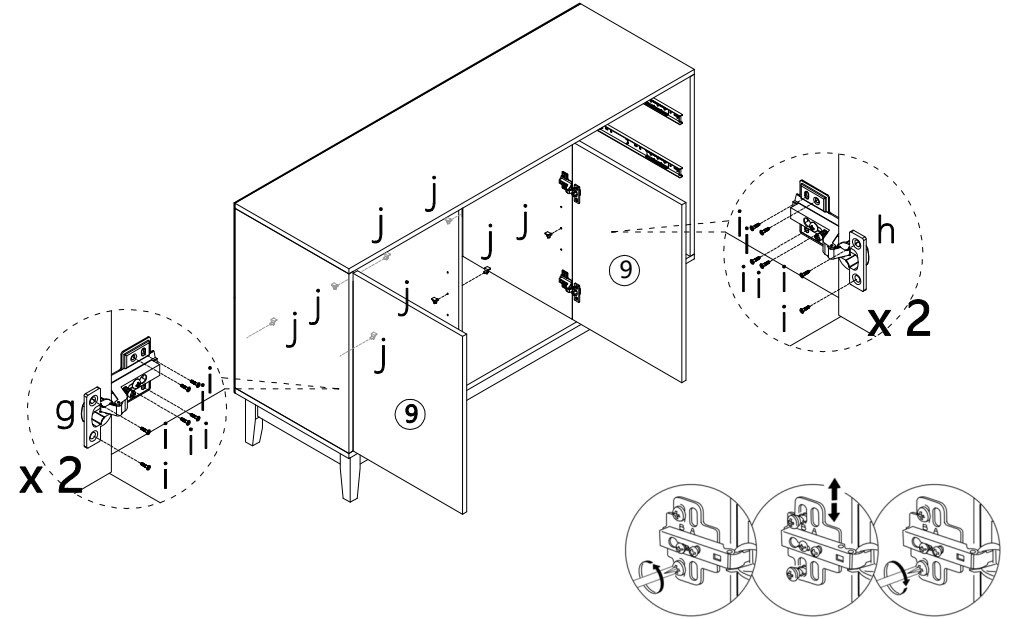
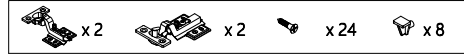
Step 7:



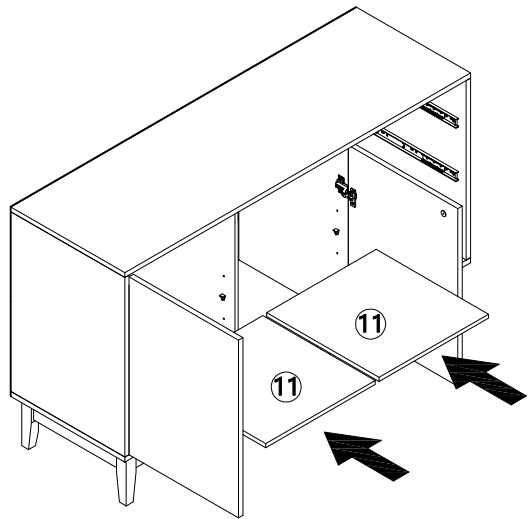
### Step 8:



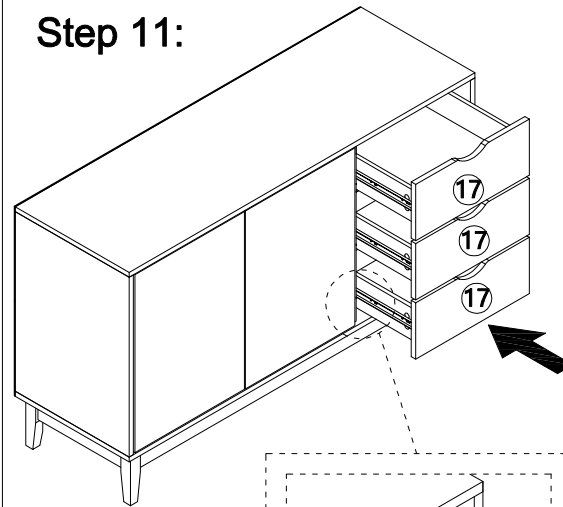
### Step 9:



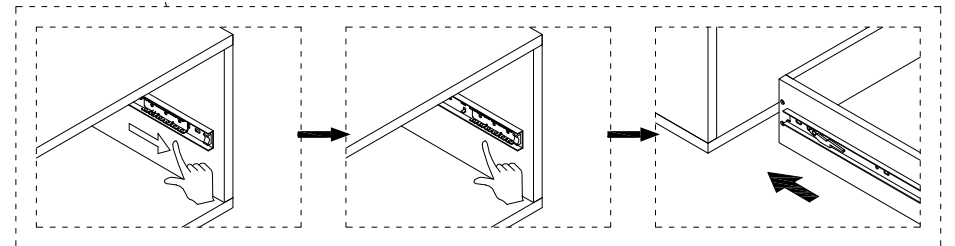
### Step 10:



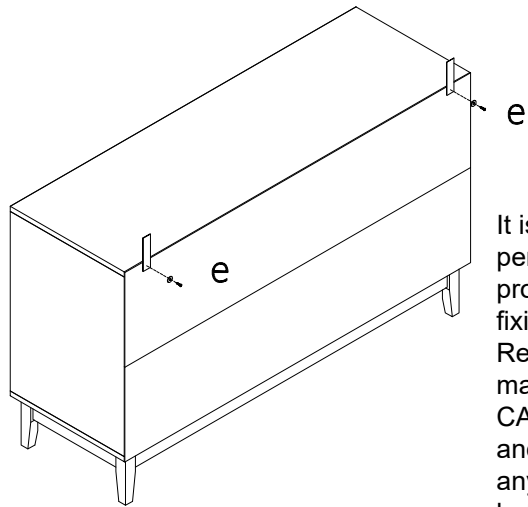
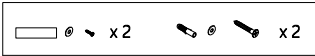
### Step 11:



Slide ball bearing slide part to top of rail when assembling the drawer.



## Step 12:



It is strongly recommended that this product is permanently fixed to the wall. Please seek professional advice if you are in doubt of what fixing device to use.

Regularly check that anchors are securely maintained.

**CAUTION:** for your safety when attaching the anchor fixings, please note the following: Check any electrical wires or plumbing inside the wall before drilling any holes (if you are unsure please seek professional advice from a qualified tradesperson).

