

Assembly Instruction

42942030 STEWART HALL TABLE

CARE INSTRUCTIONS:



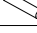
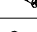

WIPE CLEAN WITH A DRY CLOTH. DO NOT USE ABRASIVE MATERIALS AND SOLVENTS. CHECK AND TIGHTEN ALL PARTS REGULARLY. KEEP AWAY FROM WATER AND DIRECT SUNLIGHT. STORE IN A DRY PLACE. FOR DOMESTIC USE ONLY. FOR INDOOR USE ONLY. A MILD ODOUR MAY BE PRESENT WHEN FIRST OPENING THIS CARTON. SIMPLY ALLOW TO AIR OUTSIDE AND THIS WILL FADE.




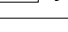

WARNING:

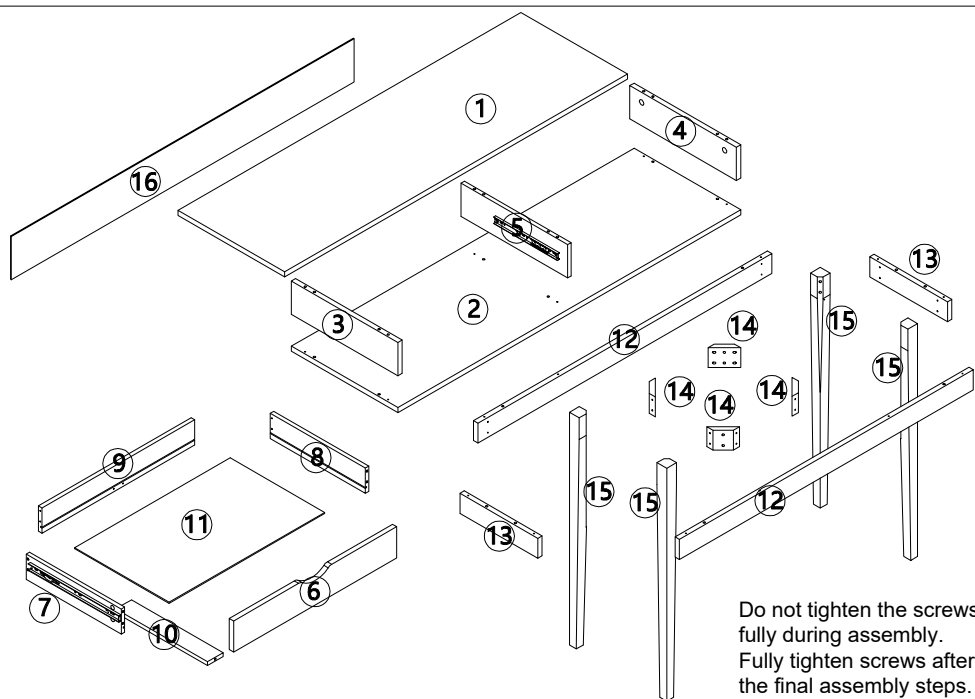
DO NOT STAND OR SIT ON THIS UNIT. DO NOT USE THIS UNIT UNLESS ALL BOLTS AND SCREWS ARE FIRMLY SECURED. DO NOT KNOCK OR DRAG THIS UNIT. USE ONLY ON A FLAT SURFACE. ADULT ASSEMBLY REQUIRED. FAILURE TO FOLLOW THESE WARNING COULD RESULT IN SERIOUS INJURY. LOAD DRAWER EVENLY TO PREVENT FROM TIPPING OVER. THIS PACKAGE CONTAINS SMALL PARTS AND SHARP POINTS. KEEP AWAY FROM CHILDREN AND BABIES.

MAXIMUM SAFE LOAD: 30KGS FOR TOP PANEL, 5KGS FOR DRAWER, 5KGS FOR LAYER.

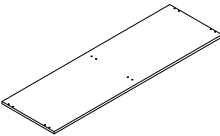
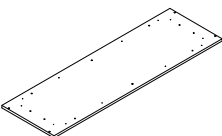
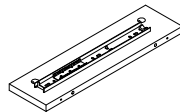
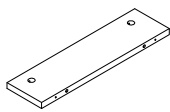
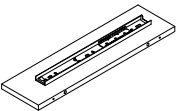
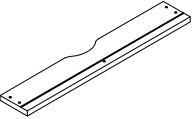
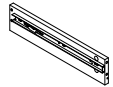
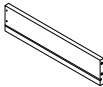
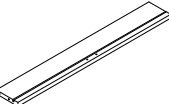

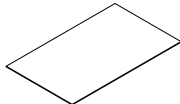
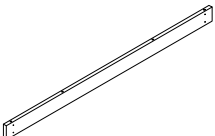
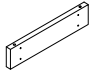

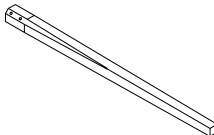
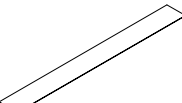
Hardware List

	a	6x25mm	11pcs
	b	12x10mm	11pcs
	c	6x30mm	20pcs
	d	4x35mm	12pcs
	e	2x16mm	14pcs

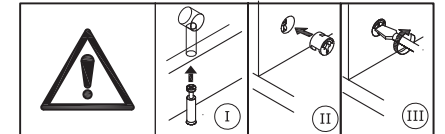
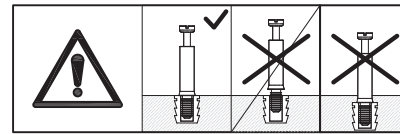
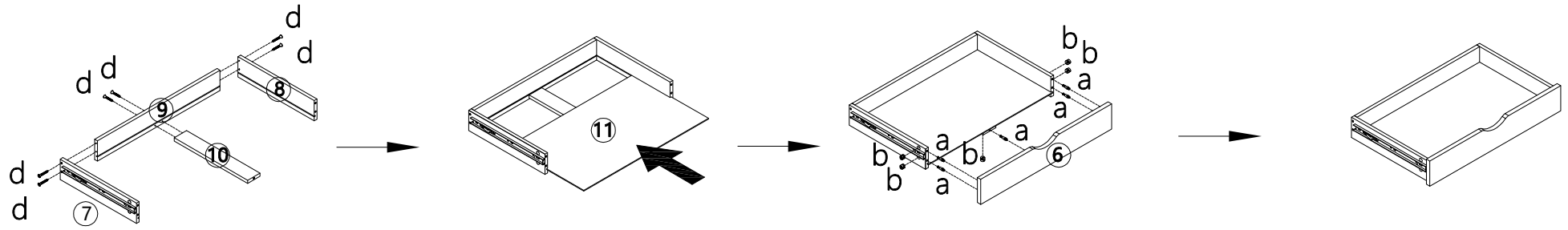
	f	4x55mm	12pcs
	g	4x25mm	16pcs
	h	6x55mm	8pcs
	i	4x12mm	2pcs
	j	4x35mm	2pcs



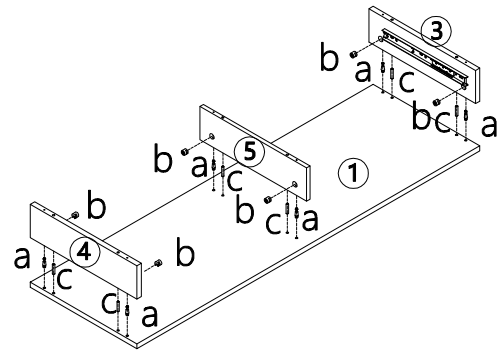
Do not tighten the screws fully during assembly. Fully tighten screws after the final assembly steps.

			
① 1PC	② 1PC	③ 1PC	④ 1PC
			
⑤ 1PC	⑥ 1PC	⑦ 1PC	⑧ 1PC
			
⑨ 1PC	⑩ 1PC	⑪ 1PC	⑫ 2PCS
			
⑬ 2PCS	⑭ 4PCS	⑮ 4PCS	⑯ 1PC

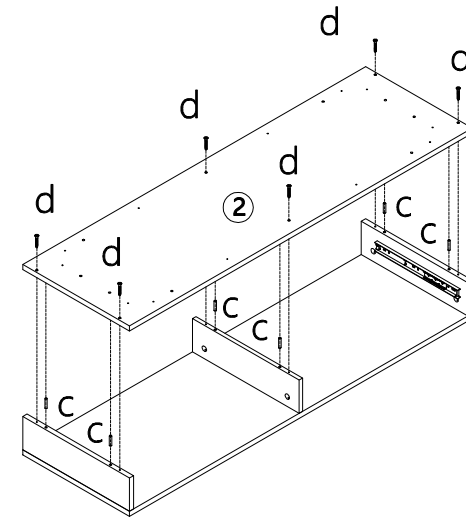
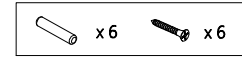
Step 1:



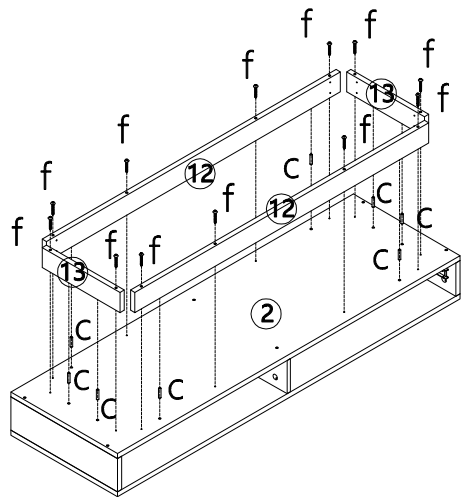
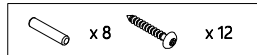
Step 2:



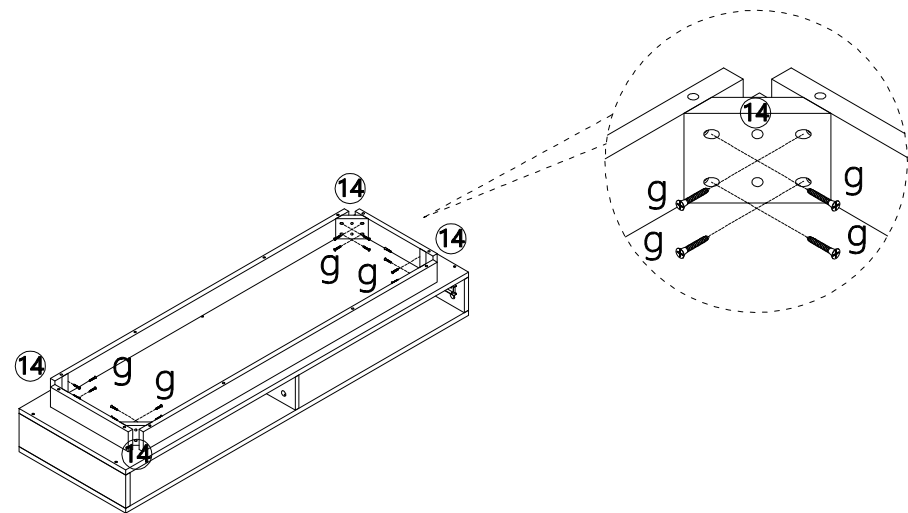
Step 3:



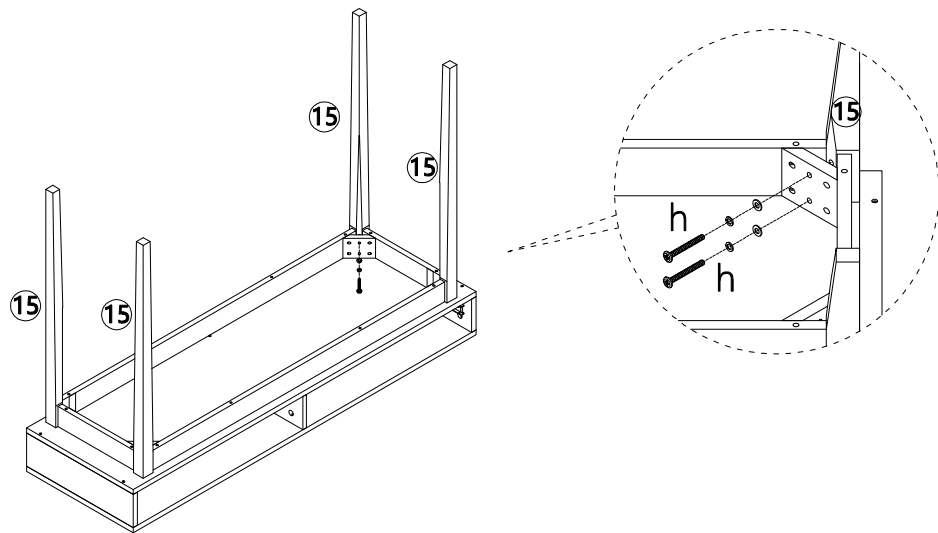
Step 4:



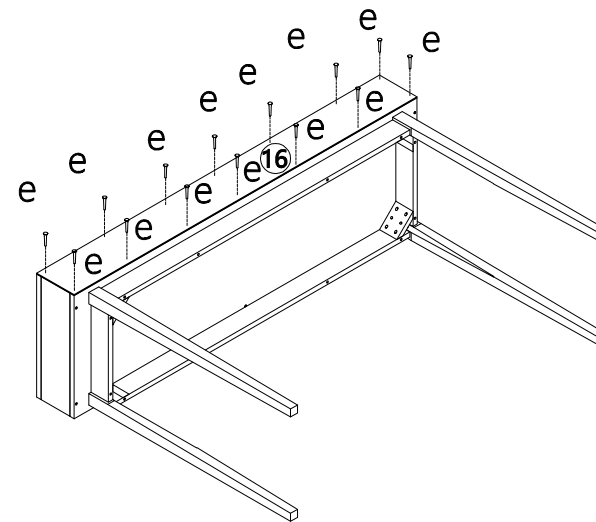
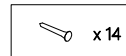
Step 5:



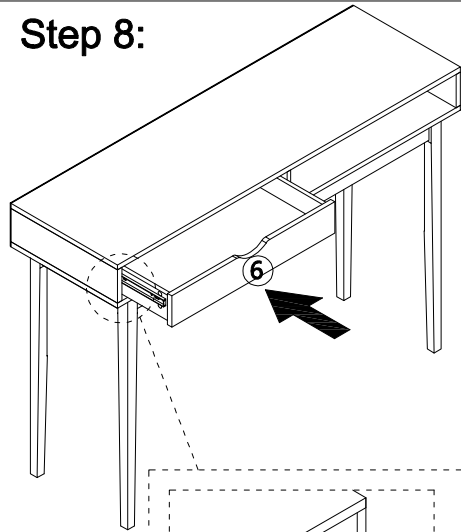
Step 6:



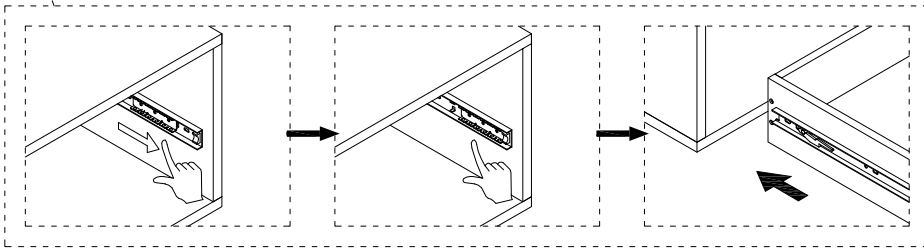
Step 7:




Step 8:

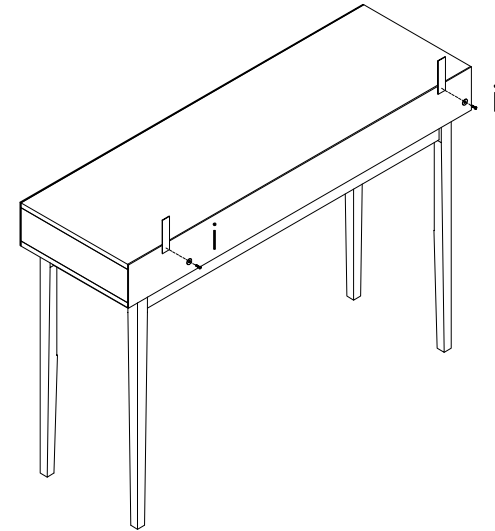


Slide ball bearing slide part to top of rail when assembling the drawer.



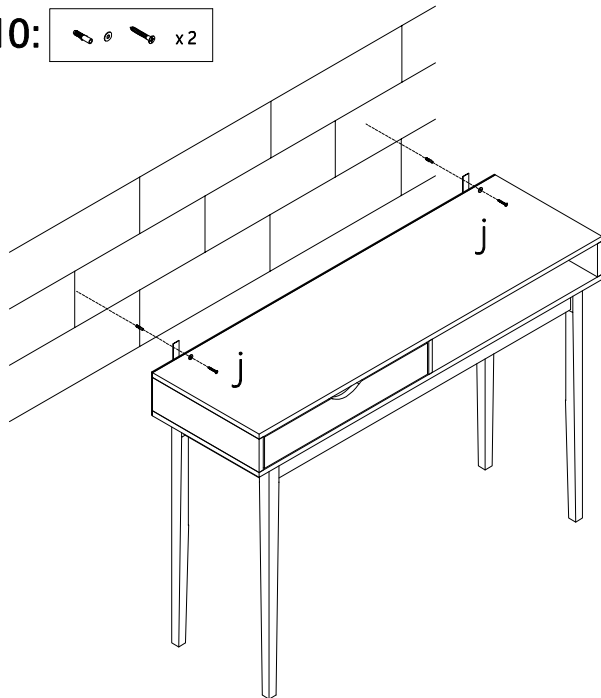
Step 9:

 x 2



Step 10:

 x 2



It is strongly recommended that this product is permanently fixed to the wall. Please seek professional advice if you are in doubt of what fixing device to use.

Regularly check that anchors are securely maintained.

CAUTION: for your safety when attaching the anchor fixings, please note the following: Check any electrical wires or plumbing inside the wall before drilling any holes (if you are unsure please seek professional advice from a qualified tradesperson).

