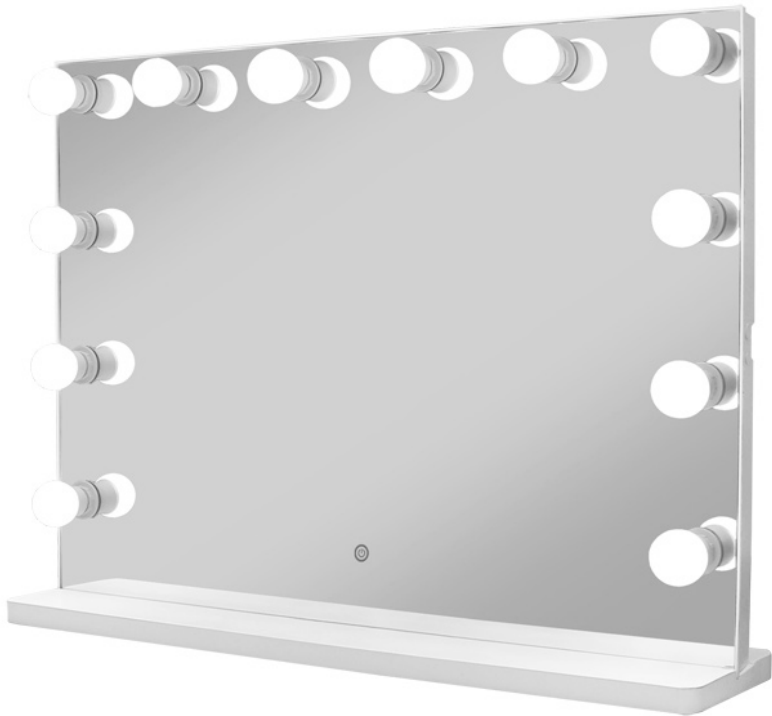


# anko

## Hollywood Mirror

For Household Use Only



Model No.: DP317  
Rev 1



<b>1</b>	<b>Warnings</b> .....	<b>4</b>
<b>2</b>	<b>Safety Directions</b> .....	<b>4</b>
<b>3</b>	<b>Components</b> .....	<b>6</b>
<b>4</b>	<b>Assembly Method</b> .....	<b>7</b>
	4.1 Base.....	7
	4.2 LED Light Globes .....	8
<b>5</b>	<b>Power Supply</b> .....	<b>8</b>
<b>6</b>	<b>Using the Mirror Lights</b> .....	<b>9</b>
	6.1 On / Off.....	9
	6.2 Light Type .....	9
<b>7</b>	<b>User Maintenance</b> .....	<b>10</b>
	7.1 LED Light Replacement .....	10
	7.2 Cleaning the Mirror.....	10
<b>8</b>	<b>Storage</b> .....	<b>10</b>
<b>9</b>	<b>Warranty Against Defect</b> .....	<b>11</b>

# 1 Warnings

Before using this appliance, read and follow all warnings and instructions in this manual, even if you are familiar with this product.

This appliance is not intended for use by persons (including children) with reduced physical, sensory or mental capabilities, or lack of experience and knowledge, unless they have been given supervision or instruction concerning use of the appliance by a person responsible for their safety.

Children should be supervised to ensure that they do not play with the appliance.

# 2 Safety Directions



Please read this instruction manual carefully before first use. It is advisable to keep this instruction manual for future reference.

**DO NOT** use in a moist or humid area.

**DO NOT** use the mirror without all the LED globes fitted.

**DO NOT** store or use the appliance near high temperature areas.

**DO NOT** run over the power supply cable with a vacuum cleaner, etc.

**DO NOT** use if the appliance malfunctions, abnormal noise, smell, smoke, is dropped or damaged in any manner or any breakage is found during operation.

For electrical safety, any repairs to the product must be performed by a qualified electrical person only, or the product must be disposed of.

**DO NOT** misuse the power supply cable. Never pull the appliance by the cable or pull to disconnect it from the outlet. Instead, grasp the power supply body and pull to disconnect.

**DO NOT** use with damaged power supply cable or power supply body.

**DO NOT** handle the power supply or mirror with wet hands.

**DO** Keep power supply cable away from heated surfaces

**DO** disconnect the power supply from the power supply when not in use,

**DO NOT** hang items off the LED light globes.

**DO NOT** attempt to modify this product in any way.

**DO** ensure the mirror is dry before adjusting the settings.

**DO** use only on dry, level, indoor surfaces.

**DO** use only as described in this manual.

**DO** use only manufacturer's replacement LED light Globes. Contact Customer service for spare LED Light Globes.

**DO** store your appliance indoors in a cool dry area.

**DO** ensure children and babies cannot play with plastic bags or any packaging materials.

**DO** operate the power supply from a power source of the same voltage, frequency and rating as indicated on the product identification plate.

If this appliance is used by a third party, **DO** supply the instruction manual with it.

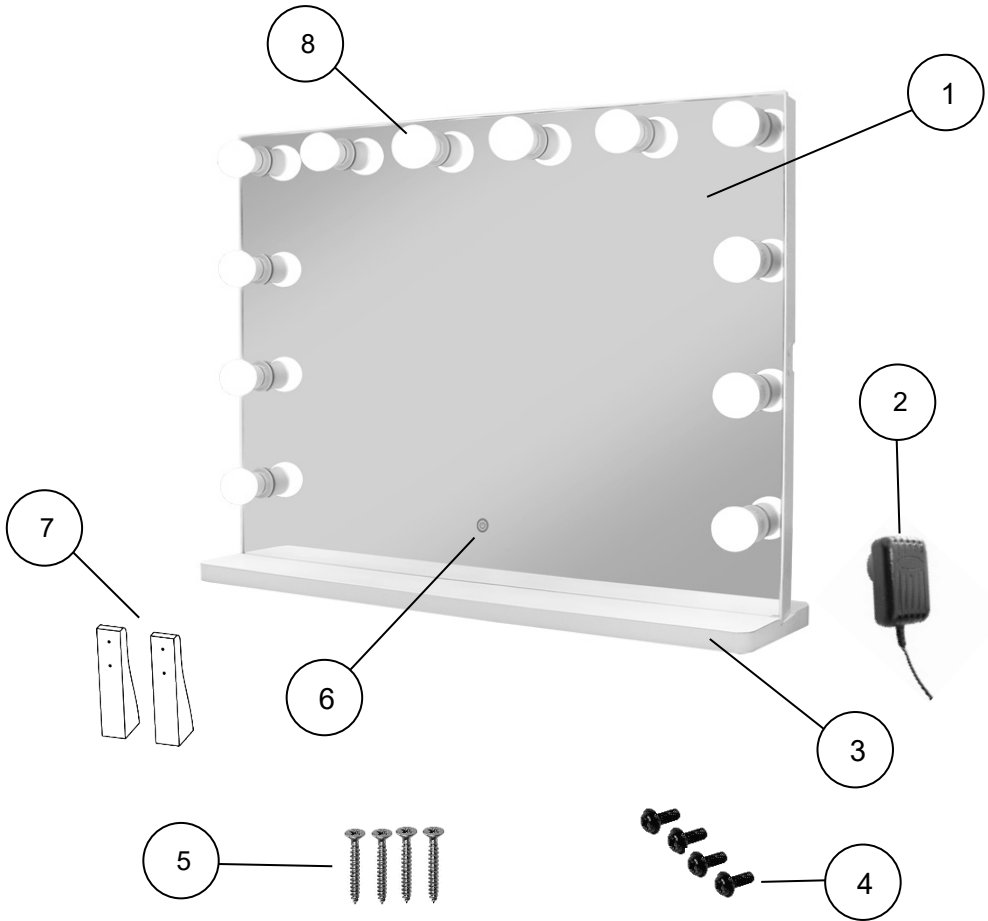
No liability can be accepted for any damage caused by non-compliance with these instructions or any other improper use or mishandling of appliance.

This product has not been designed for any uses other than those specified in this manual.

**ONLY** for domestic use. Industrial or commercial use invalidates the warranty.

## **Read and Save These Instructions**

### 3 Components



1	Mirror	5	4 Long Screws for mirror to base stand assembly
2	Power Supply	6	On / Off Switch & Light Type Selector
3	Base / Shelf	7	Side Posts
4	4 Short Screws for Base assembly	8	LED Lights (plus 2 spare LED globes)

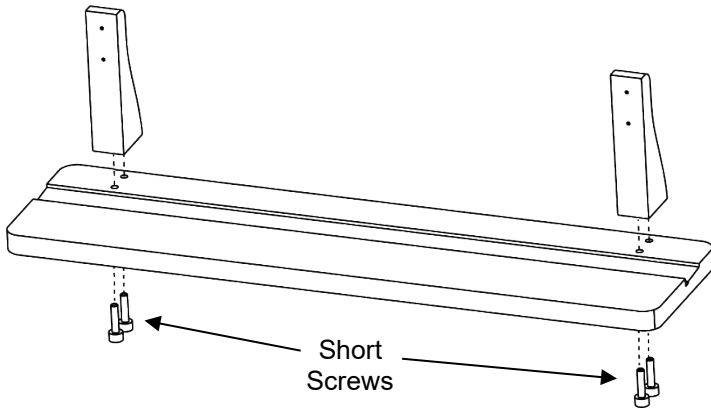
Note: The specifications and/or components of this appliance are subject to change without prior notice

## 4 Assembly Method

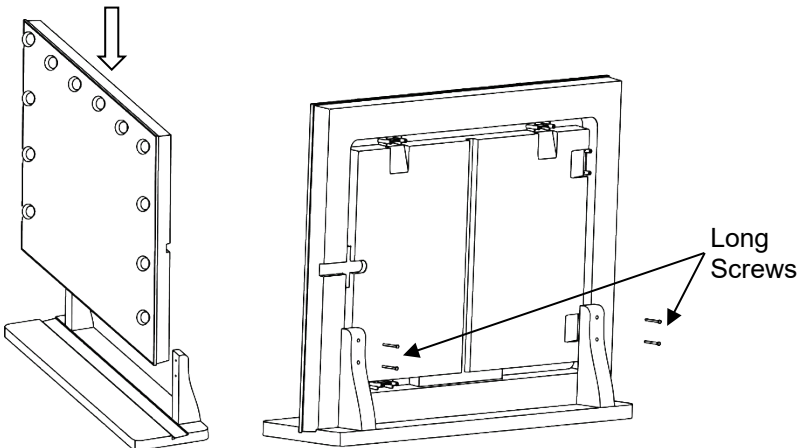
### 4.1 Base

**Please Note:** a small amount of assembly is required and a Phillips Head screwdriver will be required.

- Position the two side posts over the holes in the base and then from underneath, insert the Short screws and tighten with the screwdriver.



- Centre the Mirror over the slot in the base, as shown below, and then lower down. Push down firm until the mirror rests in the slot.
- Insert the four Long screws into the back of the mirror as shown below and tighten.



## 4.2 LED Light Globes

Remove the LED light globe from its box and insert into the light socket on the mirror.

Rotate the LED light globe clockwise to screw the light in. Nip it up but do not overtighten.

Repeat for all other LED light globes.

Please note there are two LED light globes supplied as spares.

## 5 Power Supply

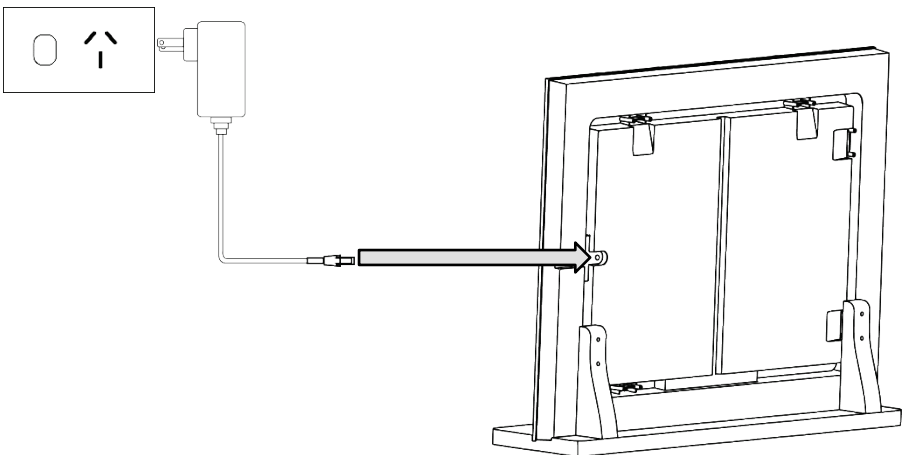
**Important:** Only use with Power Supply Model: CW1203500AU  
(Output: 12Vd.c. 3.5A)

Unravel the power supply cable.

Plug in the small plug on the end of the power supply cable into the power jack located in the back of the mirror.

Plug the power supply into the power point and switch on.

**Note:** Switch off and remove the power supply from the power point when not in use.





## 6 Using the Mirror Lights

### 6.1 On / Off

With the power supply plugged into the power point and switched on, and the power supply cable plugged into the back of the mirror, press the On / Off Switch button on the mirror front.

### 6.2 Light Type

There are three types of light you can choose from being Cool, Warm and Natural.

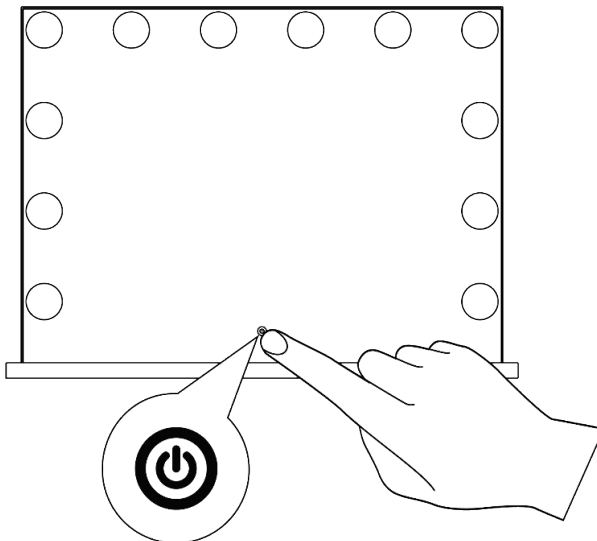
With the lights switched on, press the On / Off button on the front of the mirror again to select your desired light type.

Each press will cycle the light type from Cool to Warm to Natural and back around to Cool etc.

**Note:** If the Warm was selected and then you turn the light off, the next time you turn on, the light type will change to Natural. Just cycle the light type around until you reach your desired setting.

**Note:** If it happens that the light colours are not all the same, you can reset the colours by turning off the lights or unplugging the power supply for 30 seconds.

Then turn the lights back on and the lights will all reset to the same colour.



## 7 User Maintenance

**WARNING:** Switch off and unplug the power supply before any maintenance or cleaning.

### 7.1 LED Light Replacement

If you need to replace any of the LED lights, first switch off and unplug the power supply.

Gently grasp the LED globe and rotate anticlockwise to unscrew the light.

**IMPORTANT:** Do Not stick any foreign object or body part into the LED light socket as you may cause injury to your person or damage the product.

Insert a new light globe into the light socket and rotate clockwise to screw the light in. Nip up but do not overtighten.

**NOTE:** Spare and replacement LED light globes can be purchased from HEG customer service. Refer to the Warranty page for HEG customer service phone number.

### 7.2 Cleaning the Mirror

**Do not** clean the mirror or other parts with petrol, solvents or any other flammable liquid.

**Do not** clean with scouring pads, rough cloths or the like as the surface will be damaged.

Use only a very soft dry cloth to gently wipe the mirror and other parts.

**Do Not** submerge the mirror or other parts in liquid.

## 8 Storage

If you are to store the mirror, store it away in a dry cool place preferably in its box.

Do not wind the power supply cable tightly. Loop it loosely.

## 9 Warranty Against Defect

### 12 Month Warranty

Thank you for your purchase from Kmart.

Kmart Australia Ltd warrants your new product to be free from defects in materials and workmanship for the period stated above, from the date of purchase, provided that the product is used in accordance with accompanying recommendations or instructions where provided. This warranty is in addition to your rights under the Australian Consumer Law.

Kmart will provide you with your choice of a refund, repair or exchange (where possible) for this product if it becomes defective within the warranty period. Kmart will bear the reasonable expense of claiming the warranty. This warranty will no longer apply where the defect is a result of alteration, accident, misuse, abuse or neglect.

Please retain your receipt as proof of purchase and contact our Customer Service Centre 1800 124 125 (Australia) or 0800 945 995 (New Zealand) or alternatively, via Customer Help at [Kmart.com.au](http://Kmart.com.au) for any difficulties with your product. Warranty claims and claims for expense incurred in returning this product can be addressed to our Customer Service Centre at 690 Springvale Rd, Mulgrave Vic 3170.

Our goods come with guarantees that cannot be excluded under the Australian Consumer Law. You are entitled to a replacement or refund for a major failure and compensation for any other reasonably foreseeable loss or damage. You are also entitled to have the goods repaired or replaced if the goods fail to be of acceptable quality and the failure does not amount to a major failure.

For New Zealand customers, this warranty is in addition to statutory rights observed under New Zealand legislation.

### **IMPORTANT!**

**For all technical queries or difficulties in operating the product and for spare parts, contact H.E. Group customer service 1300 105 888 (Australia) and 09 8870 447 (New Zealand).**

