

Assembly Instructions

42942474 DESK 1 DRAWER WHITE

CARE INSTRUCTION:

WIPE CLEAN WITH A SOFT DAMP CLOTH. DO NOT USE ABRASIVE MATERIAL AND SOLVENTS. STORE IN A DRY PLACE. CHECK AND TIGHTEN ALL PARTS REGULARLY. FOR INDOOR AND DOMESTIC USE.








WARNINGS:

DO NOT STAND, SIT OR LEAN ON THE PRODUCT. DO NOT DRAG THE PRODUCT. USE ONLY ON A FLAT SURFACE. DO NOT USE UNTIL ALL SCREWS, BOLTS AND KNOBS ARE FIRMLY SECURED. THIS PRODUCT CONTAINS SMALL PARTS AND SHARP POINTS, KEEP AWAY FROM CHILDREN AND BABIES. ADULT ASSEMBLY REQUIRED.

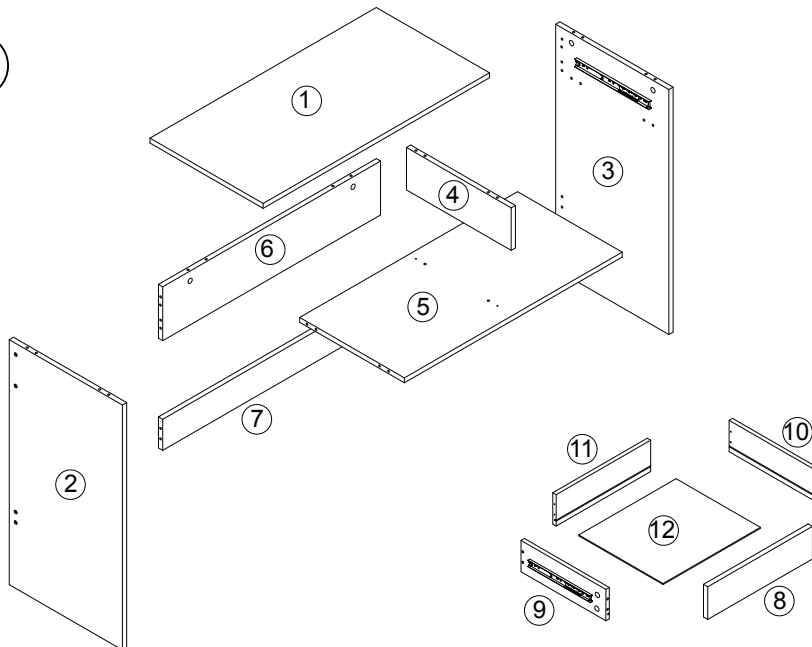
MAXIMUM SAFE LOAD LIMIT: 30KG FOR TOP,3KG FOR SHELF,3KG FOR DRAWER. FAILURE TO FOLLOW THESE WARNINGS COULD RESULT IN SERIOUS INJURY.

1

Hardware List

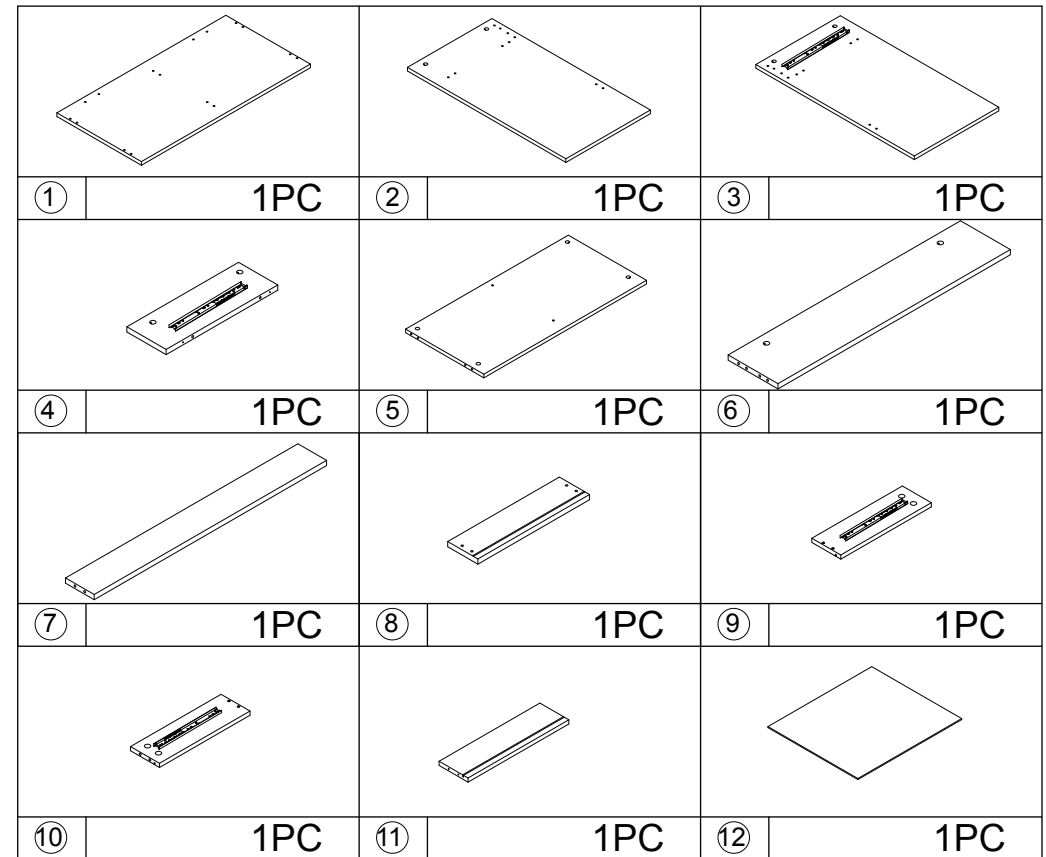
	A	6x35mm	16pcs
	B	15x9.5mm	16pcs
	C	6x30mm	18pcs
	D	4x30mm	6pcs
	E	7x48mm	8pcs
	F		1pc
	G		8pcs

2

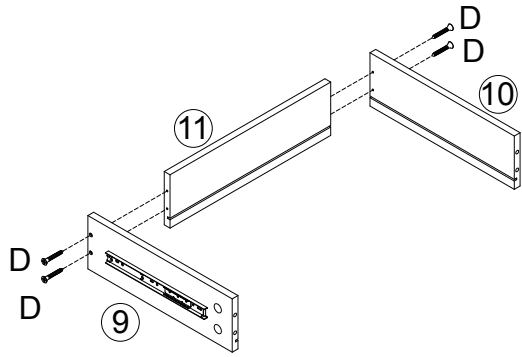


Do not tighten the screws fully during assembly.
Fully tighten screws after the final assembly steps

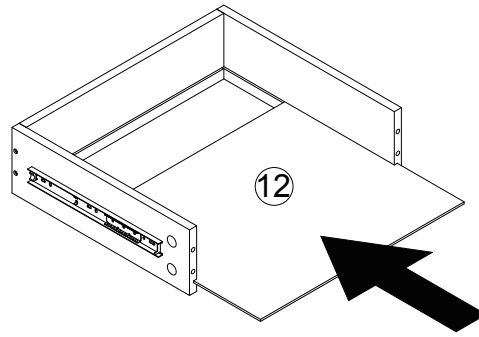
3





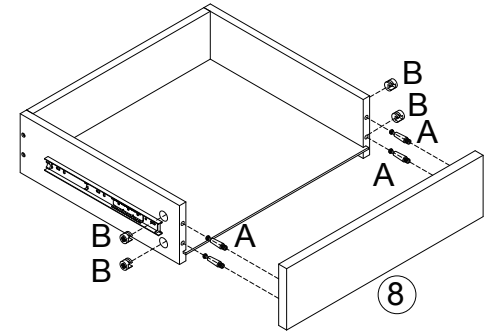
STEP 1  DX4





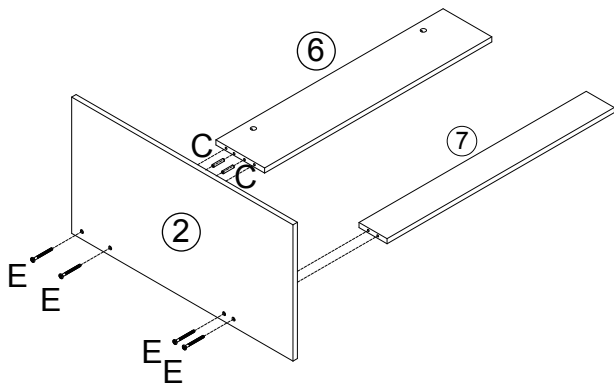
STEP 2





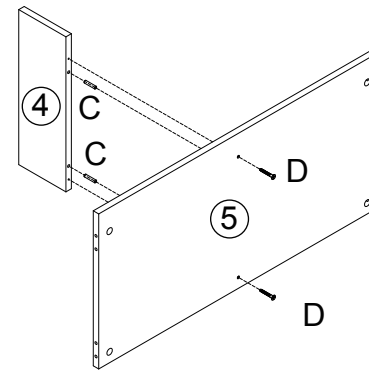
STEP 3  AX4
 BX4






STEP 4  EX4
 CX2

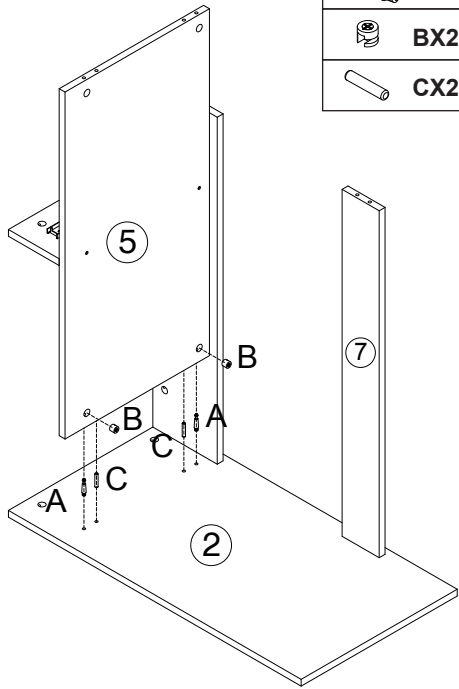


STEP 5  CX2
 DX2

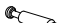





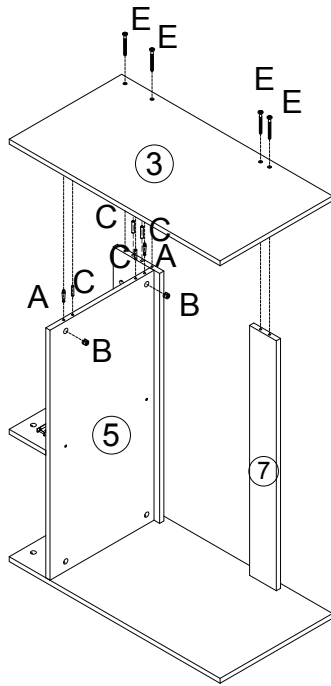
STEP 6

-  AX2
-  BX2
-  CX2





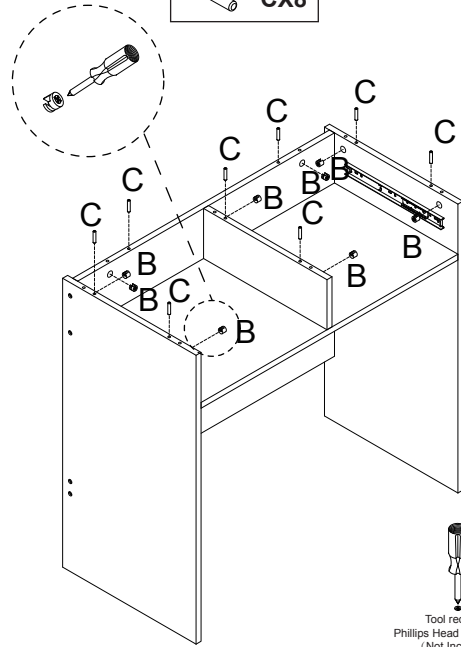
STEP 7

-  AX2
-  BX2
-  CX4
-  EX4



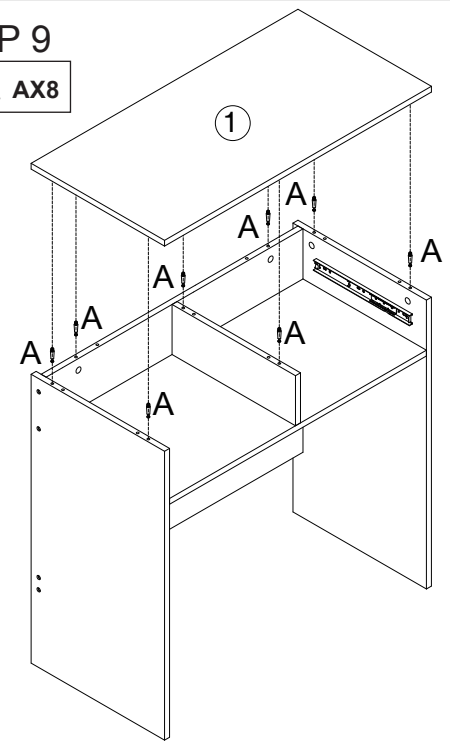
STEP 8

-  BX8
-  CX8

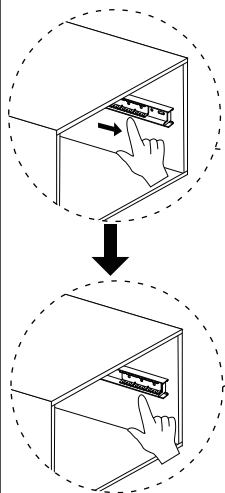


STEP 9

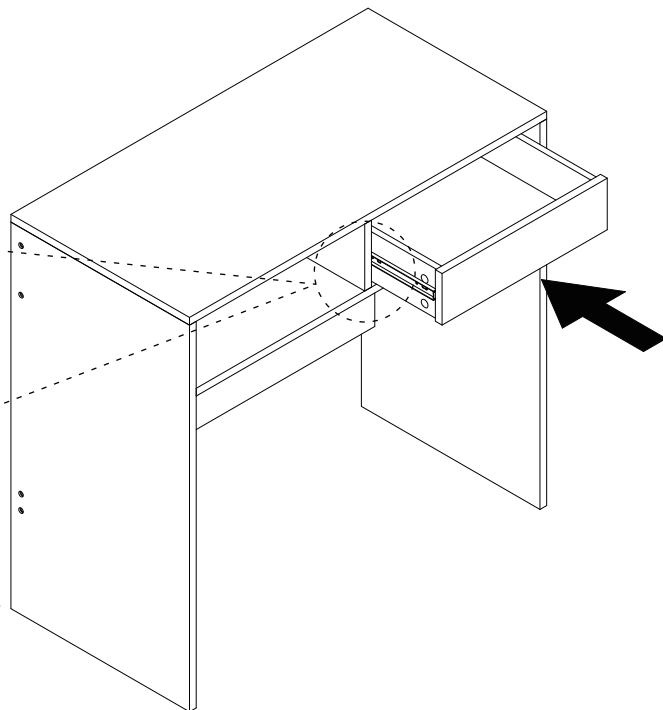
-  AX8



STEP 10



Slide ball bearing side part to top of rail when assembling the drawer.



STEP 11

-  GX8

