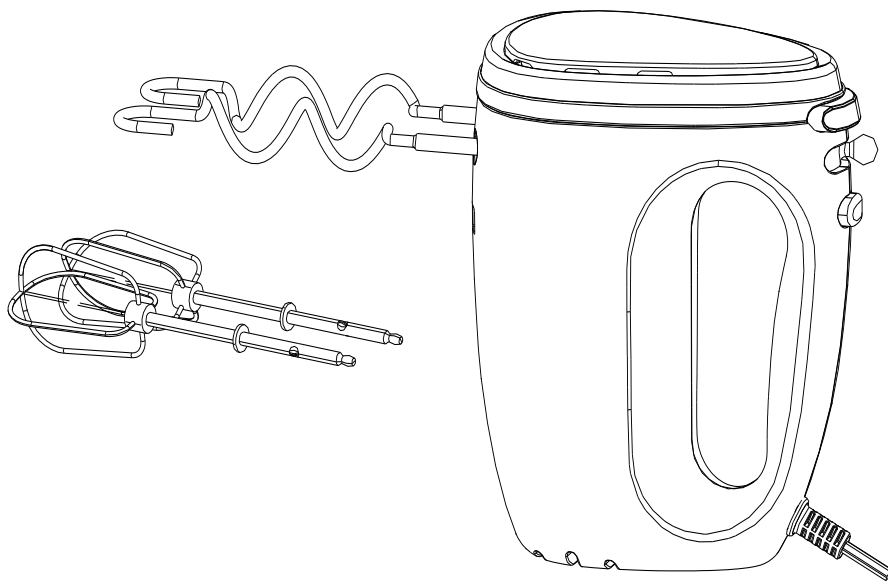


# anko

**Hand Mixer**

**Model: HM755AG**

**Instruction Manual**



**PLEASE READ AND SAVE THESE  
INSTRUCTIONS FOR FUTURE REFERENCE**

## **IMPORTANT INSTRUCTIONS**

When using electrical appliances, basic safety precautions should always be followed including the following:

1. Read all instructions carefully before using the appliance.
2. Always disconnect the appliance from mains power outlet socket if it is left unattended and before assembling, disassembling or cleaning.
3. This appliance is not intended for use by persons (including children) with reduced physical, sensory or mental capabilities, or lack of experience and knowledge, unless they have been given supervision or instructions concerning use of the appliance by a person responsible for their safety.
4. Children should be supervised to ensure that they do not play with the appliance.
5. For electrical safety, if the supply cord is damaged it must be replaced by a qualified electrical person only or the product must be disposed.
6. Switch OFF the appliance and disconnect from mains power outlet socket before changing accessories or approaching parts which move in use.
7. This appliance is intended to be used in household and similar applications such as:
  - staff kitchen areas in shops, offices and other working environments;
  - farm houses;
  - by clients in hotels, motels and other residential type environments;
  - bed and breakfast type environments.
8. Do not allow children to use the hand mixer without adult supervision.

**WARNING!** To protect against risk of electrical shock, do not put the hand mixer in water or other liquid.

**WARNING! Do not operate the hand mixer with wet hands.**

9. Keep hands, hair, clothing, as well as spatulas and other utensils away from the beaters during operation to reduce the risk of injury to persons, and/or damaged to the mixer.
10. Remove beaters from the hand mixer before washing them.

**IMPORTANT! To prevent overheating and damage to the electric motor, DO NOT operate the mixer continuously for more than 5 minutes.**

11. Do not use the appliance to mix stiff or sticky ingredients.
12. The use of attachments not recommended or sold by the manufacturer may cause fire, electric shock or injury.
13. Do not let the supply cord to come in contact with hot surfaces, including the stove.
14. Do not let cord hang over edge of the table or counter.

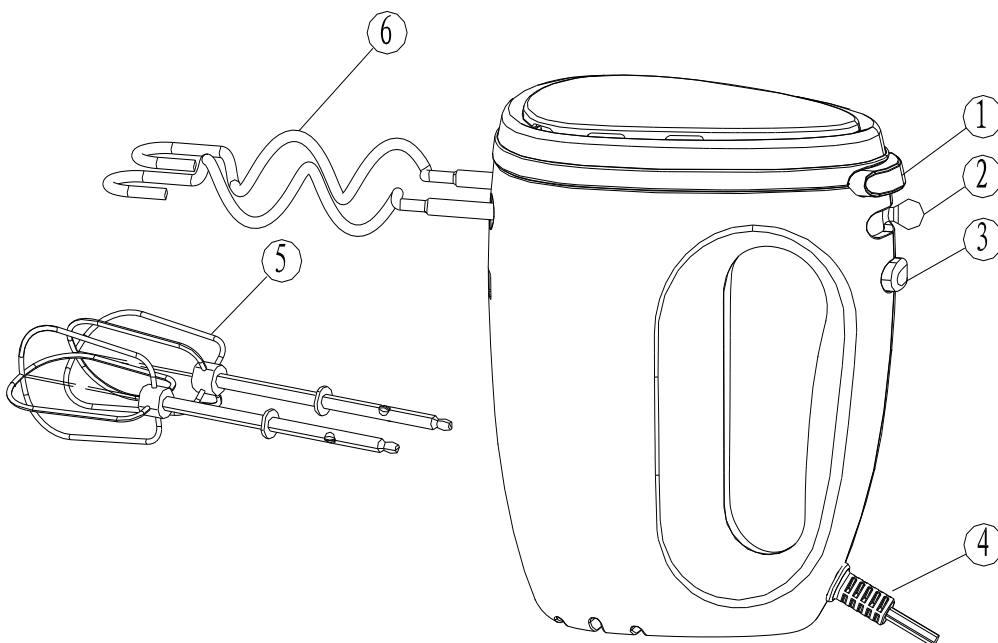
15. For electrical safety, DO NOT operate the appliance with a damaged cord or plug or after the appliance malfunctions, or is dropped or damaged in any manner.
16. Electrical shock hazard! Do not put it in water or any other liquid.
17. Do not use outdoors.

**WARNING: The maximum continuous operating time is 5 minutes. Allow it to rest for 20 minutes before using it again. Failing to follow the above instructions may case electric motor burnout.**

**WARNING: Any repairs on the appliance must be carried out by a qualified electrical person only or the product must be disposed.**

**DESCRIPTION:**

1. Ejector button
2. Speed control
3. Turbo control
4. Power cord assembly
5. Egg beater
6. Dough hook beater



## SPECIFICATIONS:

Rating: 220-240V 50-60Hz 300W

Work settings: 1-5 speed with Turbo function.

## MIXING GUIDE:

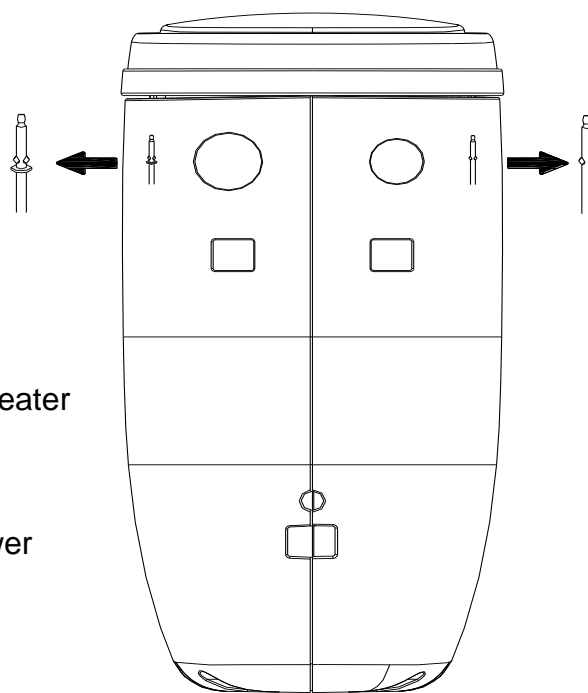
SPEED	DESCRIPTION
1 WHIP	For cooked icings, whipping cream. etc
2-3 CREAM	For creaming butter and sugar. Beating uncooked candy, desserts, etc.
4 BLEND	Recommended speed when mixing liquid ingredients for salad dressings.
5 MIX	Recommended speed for heavy and dry foods such as flour (Maximum 1376g, proportion: 800g flour per 576g water), butter and potatoes, and for mixing cakes, cookies and quick breads, and for beating eggs.

Note 1: Use the dough hook beaters to mix sticky flour and use the egg beaters to beat eggs.

Note 2: For thick sticky foods (such as flour), it is recommended that, to avoid splashing of the mixture, the food should be mixed using the lowest speed setting "1" for 30 seconds when starting to mix it. After that, use the highest speed setting "5" until desired consistency is achieved.

## USING YOUR HAND MIXER

1. Fit the dough hook beaters (6) or egg beaters (5) to the beater holes and push them in firmly until they lock (Refer to the beater markings).  
The dough hook beater with a washer at the end should be fitted into the large hole and the other beater into the small hole on the hand beater.
2. Connect the appliance cord plug into a mains power Outlet socket.
3. Hold the handle on the mixer. Lower the dough hook beaters or egg beaters into ingredients.



4. Switch ON by selecting the desired speed using the "Speed control" switch (2). The mixer will begin to mix the ingredients in the bowl.
5. When you have finished mixing, stop the mixer by pushing the speed control to "0" immediately.
6. Make sure the beater is switched OFF and disconnected from the main power outlet socket before removing accessories. Wait until the dough hook beaters or egg beaters have stopped revolving completely, and then press on the "Ejector button" (1) to remove the dough hook beaters or egg beaters.
7. You can press "Turbo control" button (3) to accelerate the speed during mixing.
8. Disconnect the appliance from mains power when you have finished mixing.

## **CLEANING**

1. Do not put the main body into water. Only wipe it with a clean dry cloth.
2. Wash the dough hook beaters or egg beaters in warm water after use.
3. Dry them with a cloth and store them in the original box supplied with the product.

Note: Parts are not dishwasher safe.

## **12 Month Warranty**

Thank you for your purchase from Kmart.

Kmart Australia Ltd warrants your new product to be free from defects in materials and workmanship for the period stated above, from the date of purchase, provided that the product is used in accordance with accompanying recommendations or instructions where provided. This warranty is in addition to your rights under the Australian Consumer Law.

Kmart will provide you with your choice of a refund, repair or exchange (where possible) for this product if it becomes defective within the warranty period. Kmart will bear the reasonable expense of claiming the warranty. This warranty will no longer apply where the defect is a result of alteration, accident, misuse, abuse or neglect.

Please retain your receipt as proof of purchase and contact our Customer Service Centre on 1800 124 125 (Australia) or 0800 945 995 (New Zealand) or alternatively, via Customer Help at [Kmart.com.au](http://Kmart.com.au) for any difficulties with your product. Warranty claims and claims for expense incurred in returning this product can be addressed to our Customer Service Centre at 690 Springvale Rd, Mulgrave Vic 3170.

Our goods come with guarantees that cannot be excluded under the Australian Consumer Law. You are entitled to a replacement or refund for a major failure and compensation for any other reasonably foreseeable loss or damage. You are also entitled to have the goods repaired or replaced if the goods fail to be of acceptable quality and the failure does not amount to a major failure.

For New Zealand customers, this warranty is in addition to statutory rights observed under New Zealand legislation.