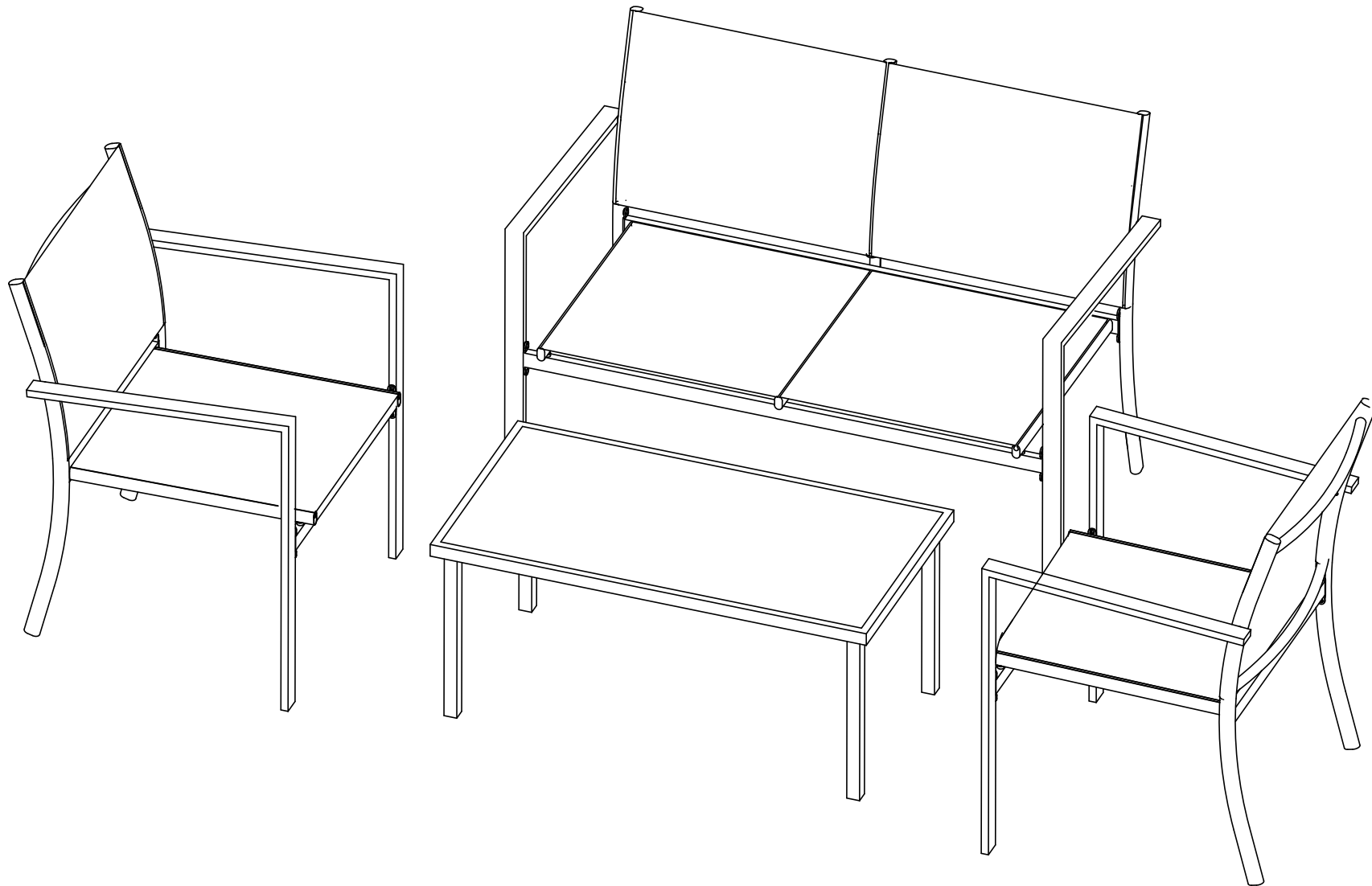







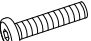








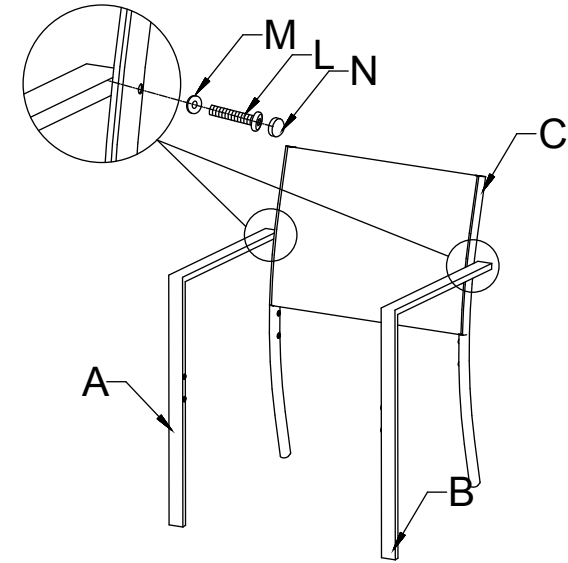
# Assembly Instruction



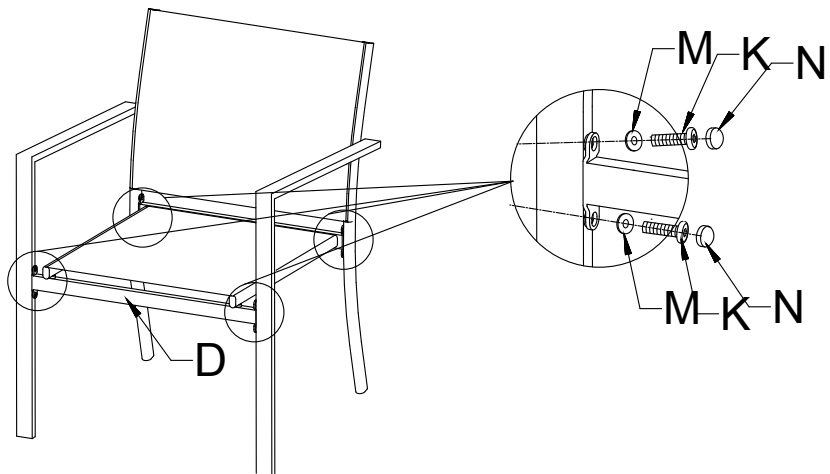
### Hardware List

A		3PCS	H		4PCS
B		3PCS	J		1PC
C		2PCS	K	 M6x15mm	33PCS
D		2PCS	L	 M6x30mm	6PCS
E		1PC	M		39PCS
F		1PC	N		39PCS
G		1PC	AA		1PC

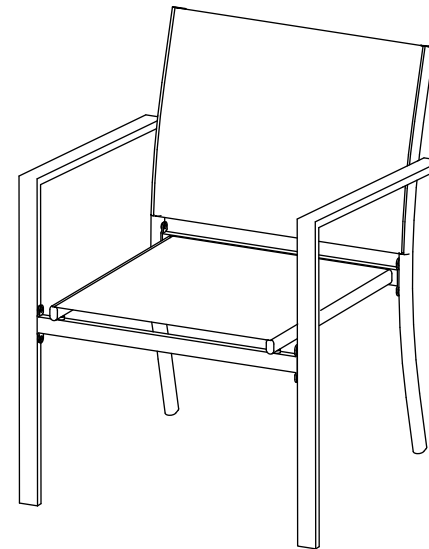
### Step 1



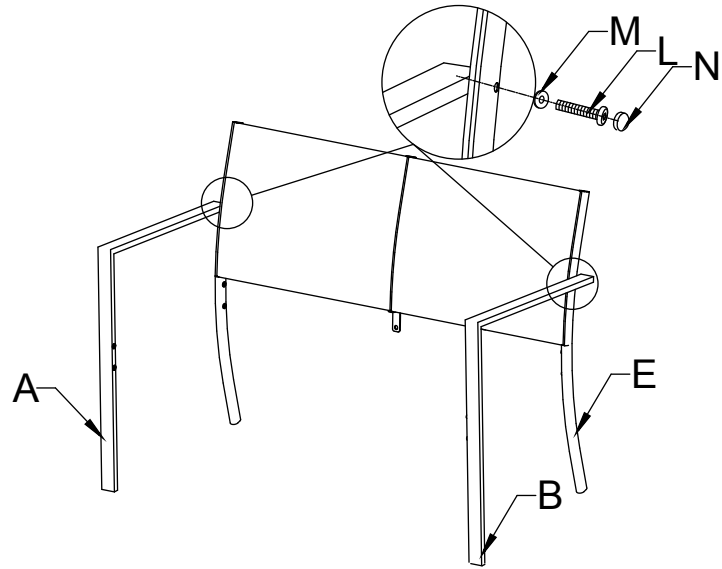
### Step 2



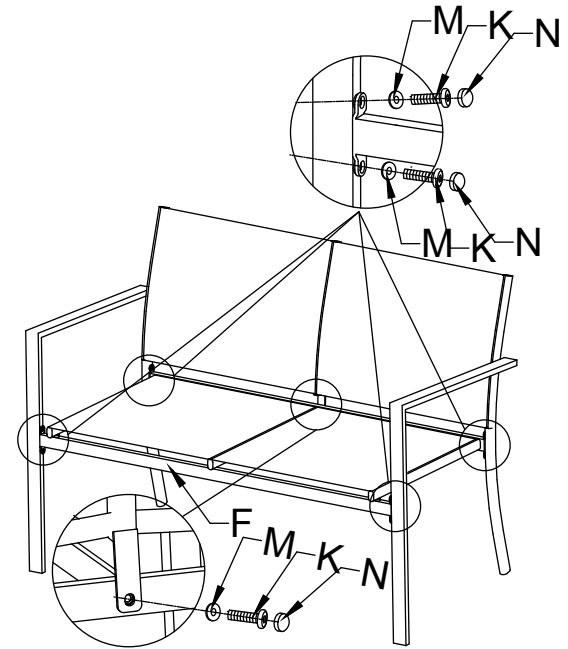
### Step 3



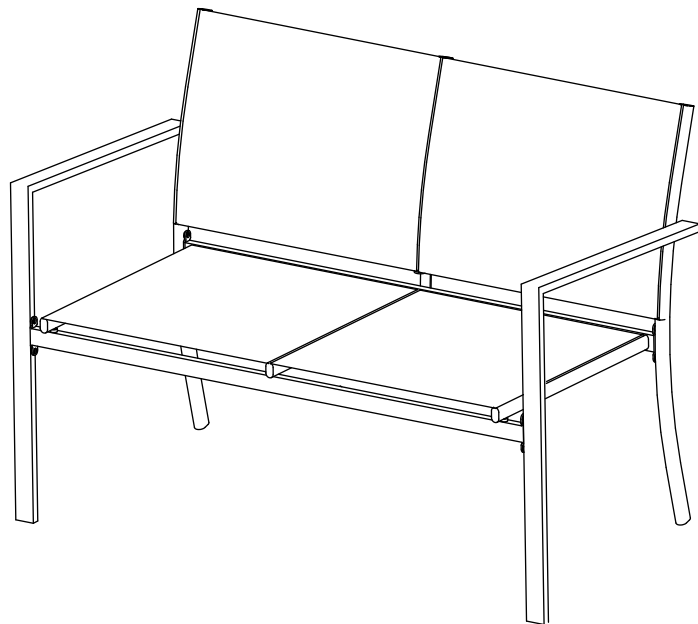
Step 4



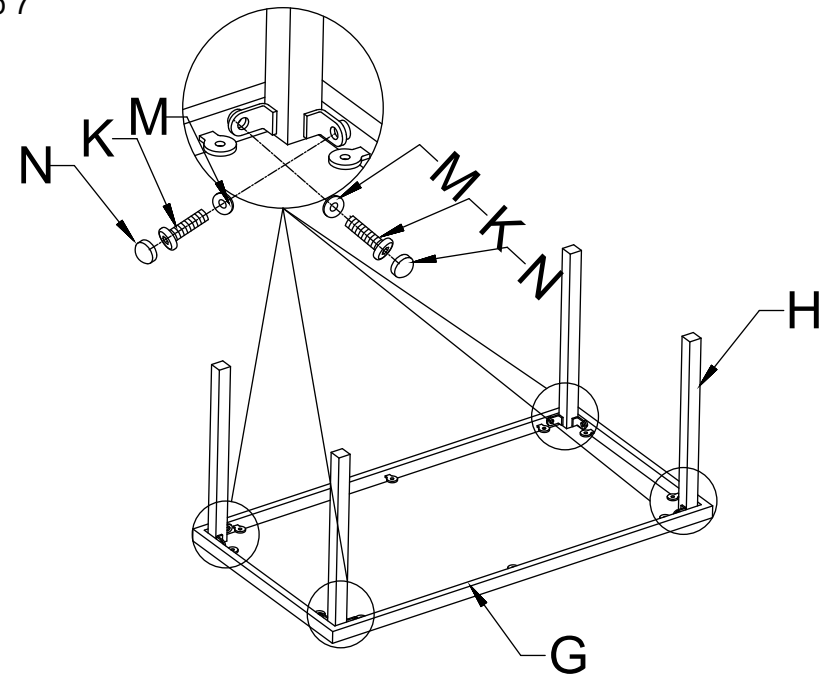
Step 5



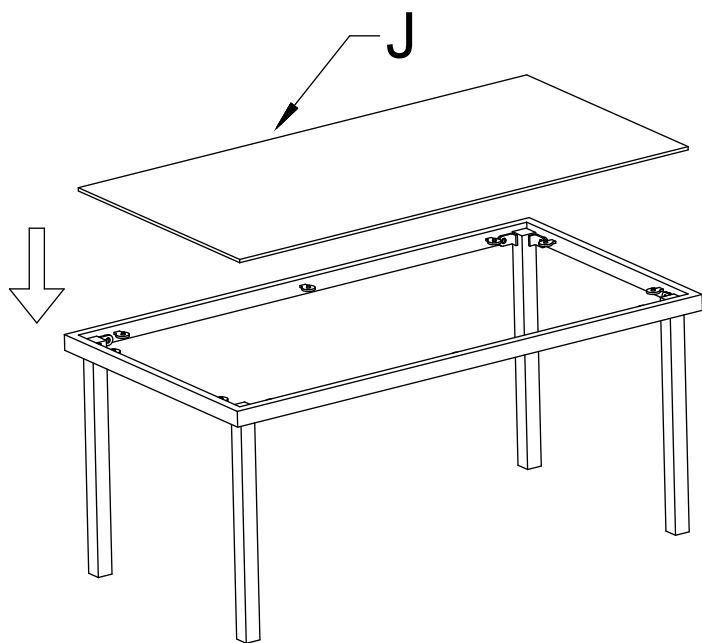
Step 6



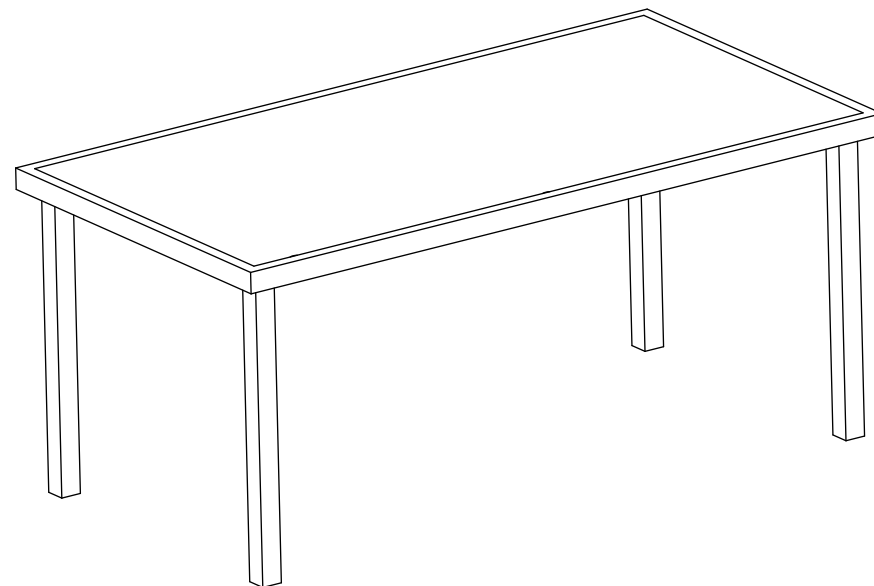
Step 7



## Step 8



## Step 9



### ATTENTION:

DO NOT TIGHTEN THE SCREWS FULLY DURING ASSEMBLY.  
FULLY TIGHTEN SCREWS AFTER THE FINAL ASSEMBLY STEP.

### WARNING FOR GLASS TABLE

- 1) DO NOT PLACE VERY HOT OR VERY COLD ITEMS ON THE GLASS SURFACE UNLESS ADEQUATELY THICK TABLE MATS ARE USED TO PREVENT SUCH ITEMS FROM COMING INTO CONTACT WITH THE GLASS.
- 2) DO NOT SIT OR STAND UPON THE GLASS SURFACE.
- 3) DO NOT USE GLASS AS A CHOPPING SURFACE.
- 4) DO NOT STRIKE THE GLASS WITH HARD OR POINTED ITEMS.
- 5) WHEN CLEANING THE GLASS SURFACE USE A DAMP CLOTH WITH LIQUID DETERGENT OR A WINDOWCLEANER. DO NOT USE WASHING POWDERS OR ANY OTHER SUBSTANCES CONTAINING ABRASIVES AS THESE MAY SCRATCH THE GLASS SURFACE.
- 6) DO NOT USE THE TABLE UNLESS ALL BOLTS, SCREWS AND KNOBS ARE FIRMLY SECURED.

**MAXIMUM LOADING WEIGHT: 20KG**

### WARNING FOR CHAIR!

- 1) DO NOT STAND ON THE CHAIR.
- 2) DO NOT USE THE CHAIR AS A STEP LADDER.
- 3) DO NOT SIT ON THE ARMREST.
- 4) DO NOT USE THE CHAIR UNLESS ALL BOLTS, SCREWS AND KNOBS ARE FIRMLY SECURED.

**MAXIMUM SEAT SAFE LOAD WEIGHT: 100KG/CHAIR AND 200KG / 2 SEATER**  
**FAILURE TO FOLLOW THESE WARNINGS COULD RESULT IN SERIOUS INJURY.**

**FOR DOMESTIC USE ONLY**

**MADE IN CHINA**

**IMPORTED BY KMART AUSTRALIA LIMITED**