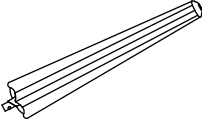
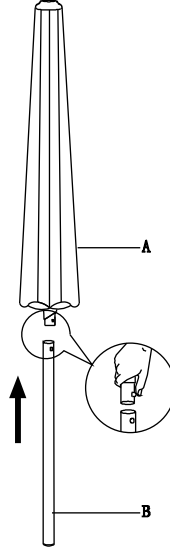
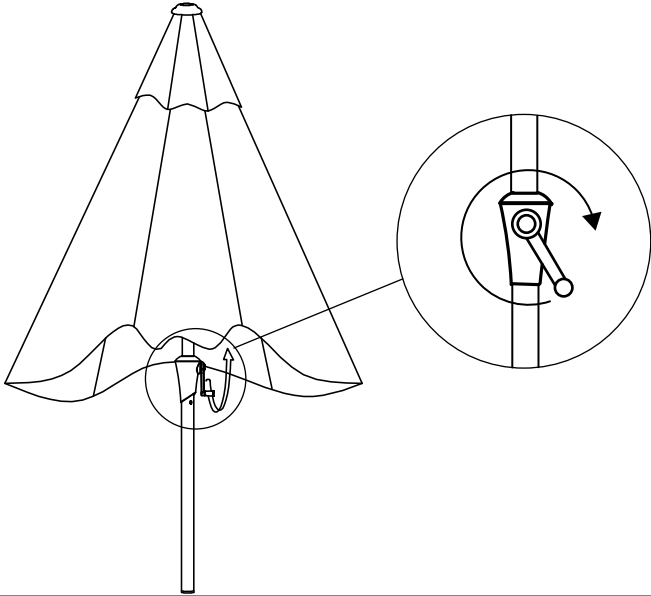
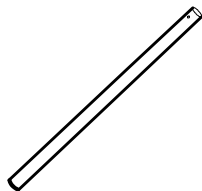


Assembly Instruction

PLEASE READ INSTRUCTION CAREFULLY. REMOVE ALL PARTS FROM THE CARTON. BE SURE YOU HAVE ALL PARTS BEFORE YOU START ASSEMBLING. PLACE ALL PARTS ON THE CLEAN AND FLAT SOFT SURFACE SUCH AS CARPET OR RUG TO PREVENT FROM BEING SCRATCHED.

WARNING:

ASSEMBLED UMBRELLA IS INTENDED TO BE USED AS SUNSHADE AND NOT AS RAIN AND WIND PROTECTION. DO NOT LEAVE THE UMBRELLA OPEN IN STRONG WINDY DAY. ALWAYS ENSURE THAT THE UMBRELLA IS SECURED TO A BASE ON A LEVEL, NON-SLIPPERY SURFACE. DO NOT LEAVE THE UMBRELLA UNATTENDED WHILE IT IS OPEN. DO NOT PUT FINGER INTO TILT KEEP UMBRELLA AWAY FROM OPEN FLAMES OR HEAT SOURCES. THIS UMBRELLA PROVIDES PROTECTION HOWEVER UV EXPOSURE CAN STILL OCCUR DUE TO SCATTERED AND REFLECTED UV RADIATION. ALWAYS APPLY SUNSCREEN LIBERALLY. FAILURE TO FOLLOW THESE WARNING MAY RESULT IN PRODUCT FAILURE OR PERSONAL INJURY.

Hardware List			Step 1	Step 2
A		1PC		
B		1PC		
Step 3			Step 4	
