

Assembly Instructions

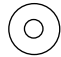
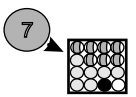








CARE INSTRUCTIONS:

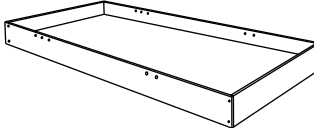
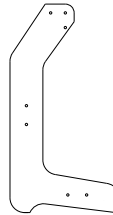

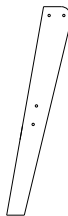
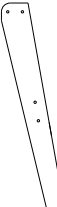
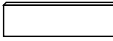
TO BE ASSEMBLED ON A CLEAN, DRY AND SMOOTH SURFACE , WIPE CLEAN WITH A SOFT DAMP CLOTH.NEVER USE SCOURERS, ABRASIVE SCREWS OR CHEMICAL SOLVENTS. CHECK AND TIGHTEN ALL PARTS REGULARLY.KEEP AWAY FROM MOISTURE AND DIRECT SUNLIGHT. STORE IN A DRY PLACE. FOR INDOOR AND DOMESTIC USE ONLY.

WARNING!

NOT SUITABLE FOR CHILDREN UNDER 8 YEARS OLD. SMALL PARTS, SMALL BALL. CHOKING HAZARD. ASSEMBLED BY ADULT. DO NOT PUSH THE SCREWS TOO HARD AND FAST TO AVOID THE BOARD BREAKING.DO NOT STAND, SIT OR LEAN ON THIS TABLE.DO NOT USE THIS TABLE AS A STEP LADDER OR AS A CHOPPING SURFACE.ENSURE THIS TABLE IS USED ONLY ON A FLAT SURFACE.DO NOT USE THIS TABLE UNLESS ALL BOLTS AND SCREWS ARE FIRMLY SECURED.DO NOT PLACE HOT ITEMS SUCH AS COFFEE CUPS DIRECTLY ON THE SURFACE OF THIS GAME TABLE.KEEP THE GAME TABLE AGAINST WALL ON FLAT FLOOR AFTER BEING FOLDED. DO NOT PUSH OR DRAG THE GAME TABLE AFTER BEING FOLDED.KEEP CHILDREN AWAY FROM IT AFTER BEING FOLDED. A MILD ODOUR MAY BE PRESENT WHEN FIRST OPENING THIS CARTON.SIMPLY ALLOW TO AIR OUT AND THIS WILL FADE.FAILURE TO FOLLOW THESE WARNINGS COULD RESULT IN SERIOUS INJURY.

Hardware List

	A	∅6	20pcs		G	pool balls	1set
	B	∅6x30mm	4pcs		H	chalks	2pcs
	C	∅6x40mm	12pcs				
	D	6x45mm	4pcs		I	triangle	1pc
	E	M6	12pcs		J	cues	2pcs
	F	hex key	1pc				


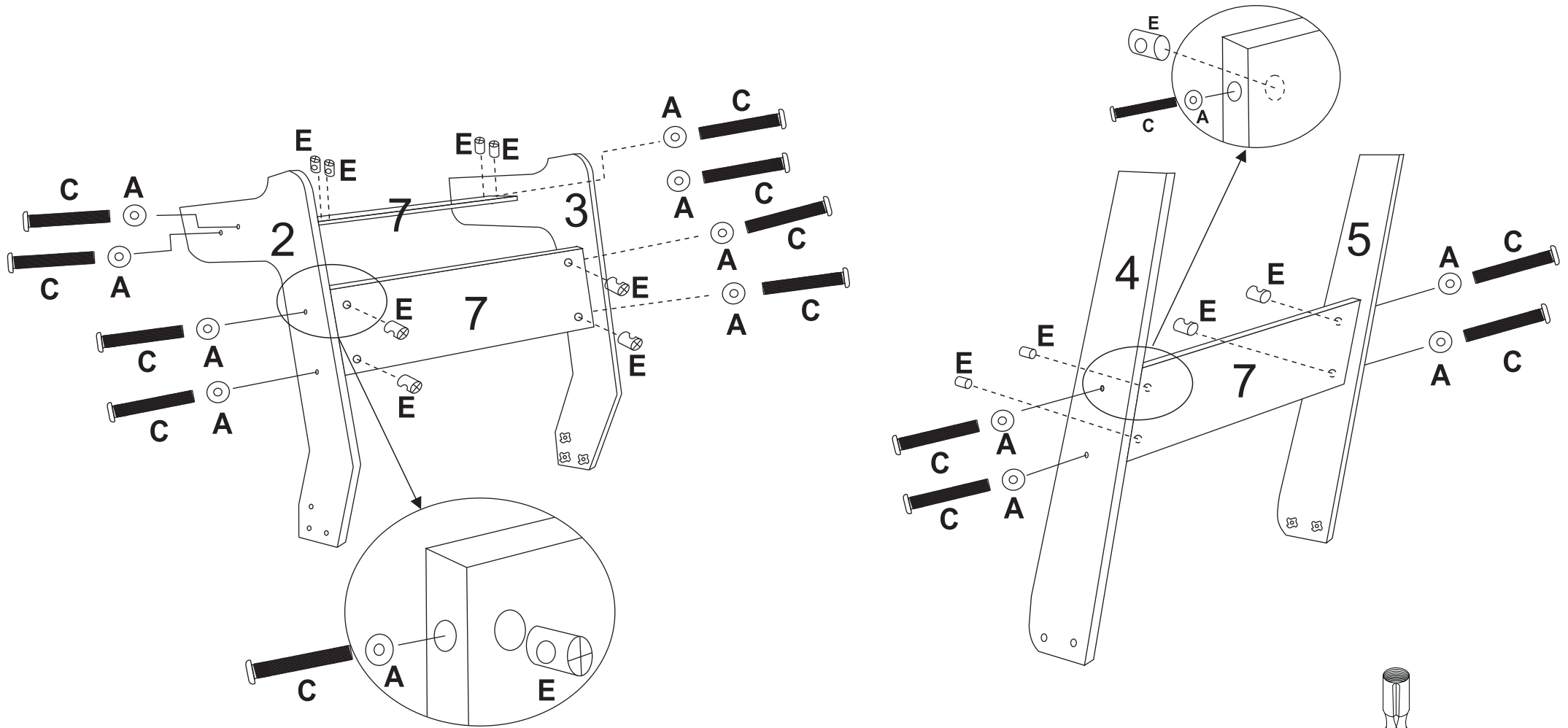
1	1pc	2	1pc
			
3	1pc	4	1pc
			
5	1pc	7	3pcs
			

Step 1:

A x 12pcs

C x 12pcs

E x 12pcs



Tool required
Philips Head Screw Driver
(Not Provided)

Step 2:

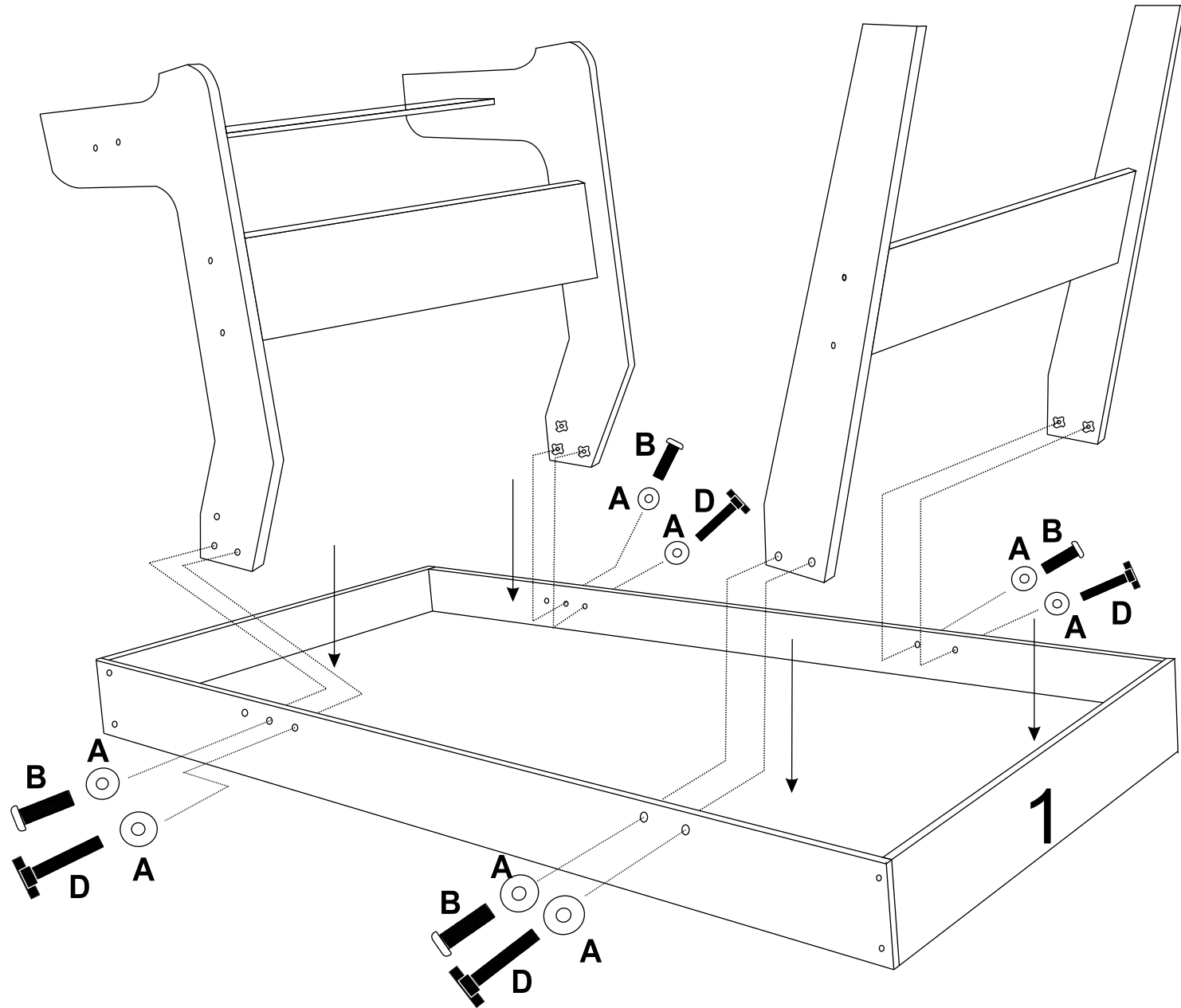
A x 8pcs

B x 4pcs

D x 4pcs

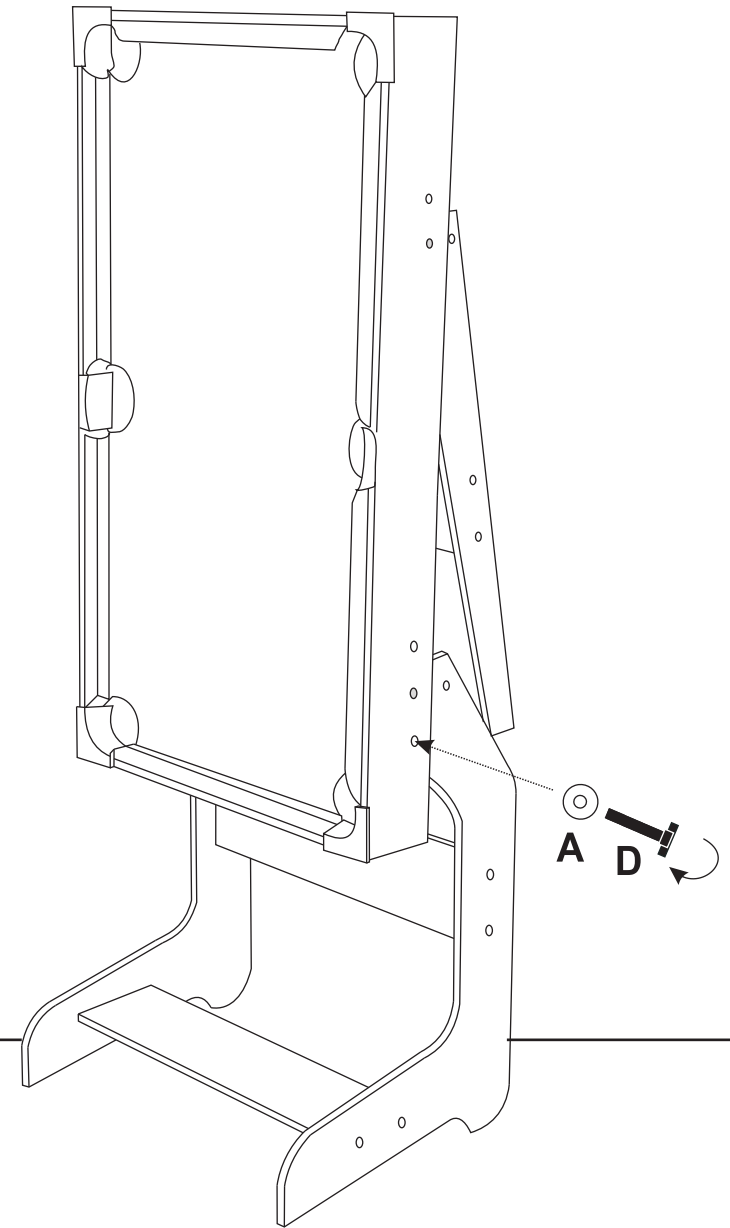
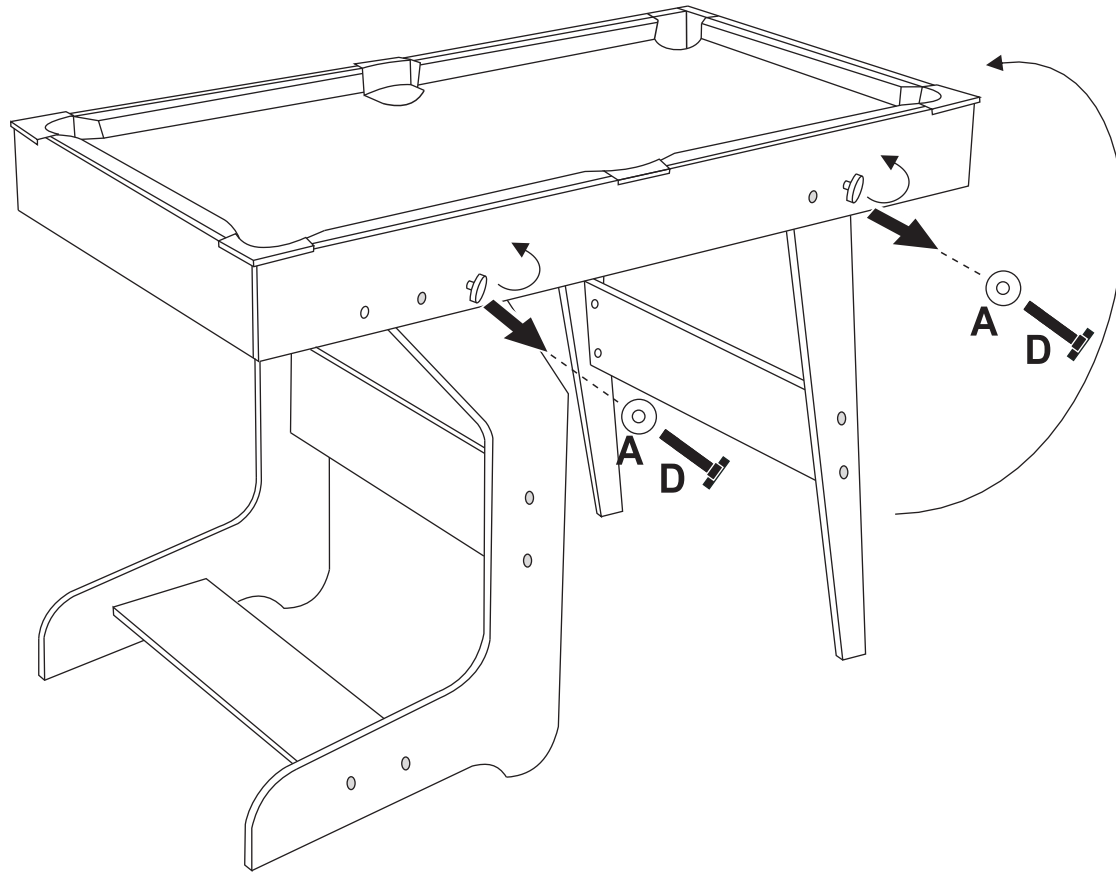


Tool required
Philips Head Screw Driver
(Not Provided)



Step 3:

The product can be folded by turning the screws A.



WARNING: THE GAME TABLE AGAINST WALL ON FLAT FLOOR AFTER BEING FOLDED!!!