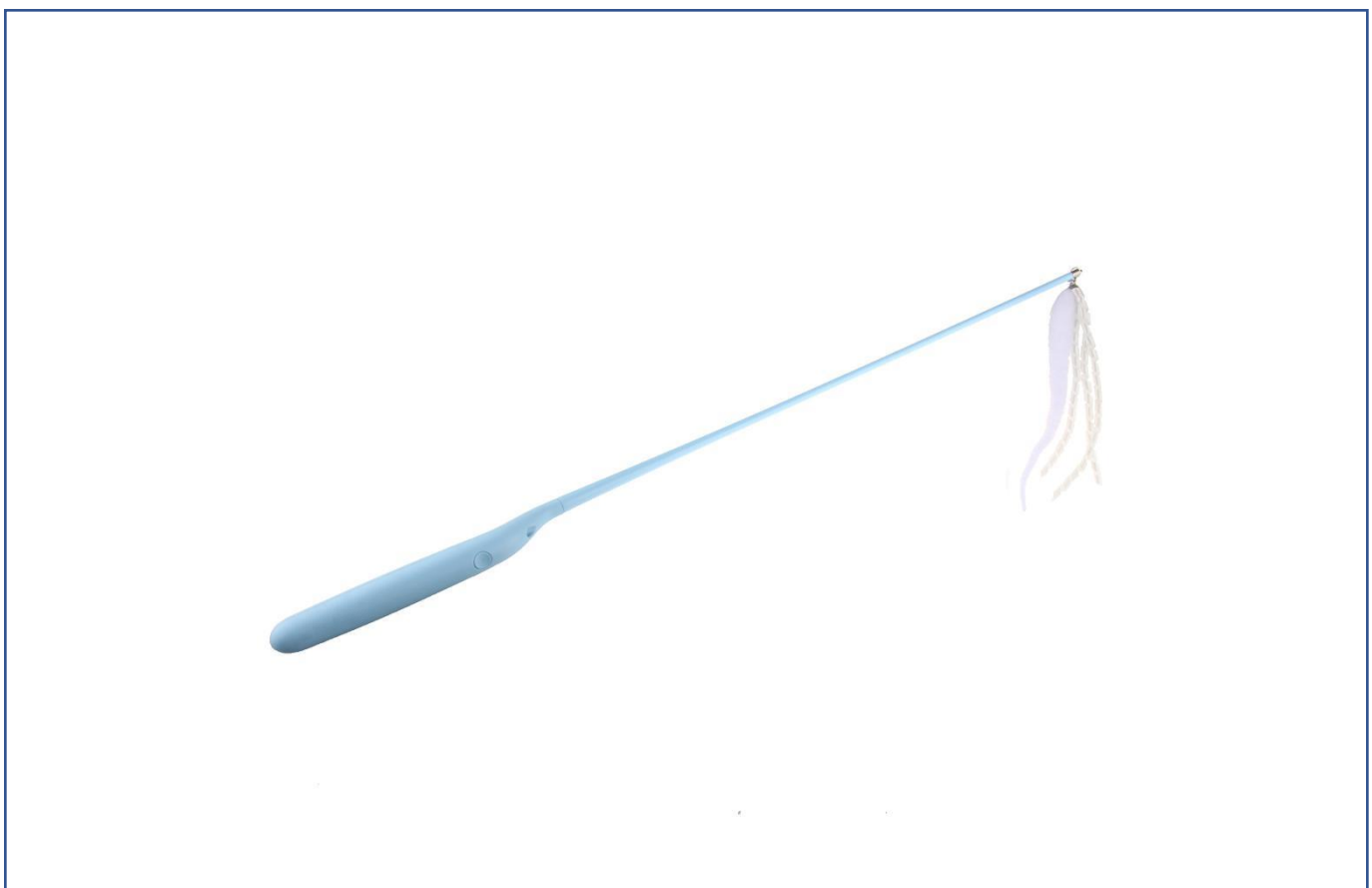
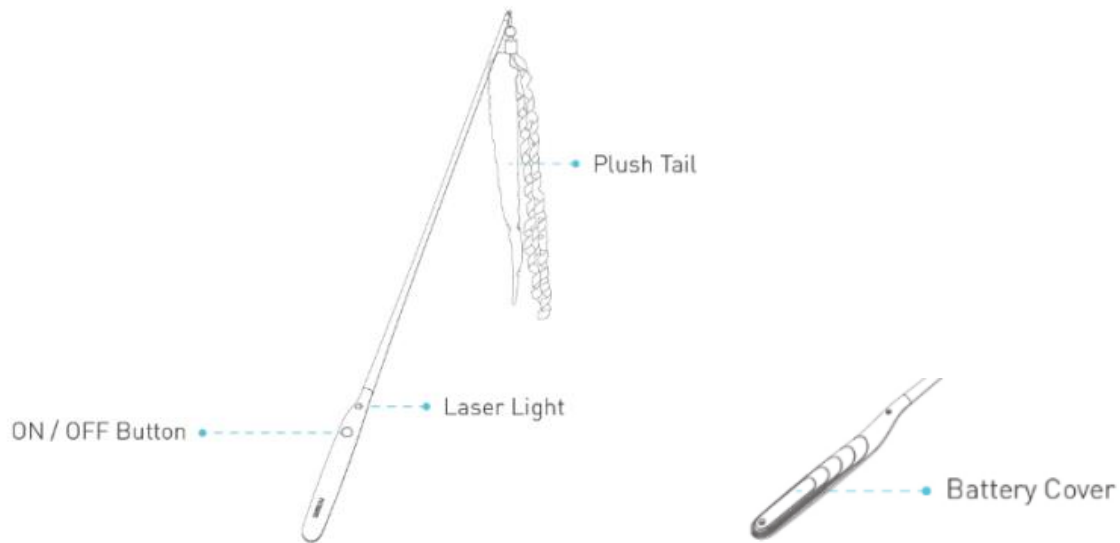


anko

Cat Toy Laser Wand



Product Overview

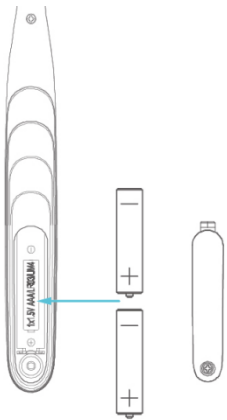


Tech Specs

Battery	2 x 1.5V AAA size batteries (not included)
---------	--

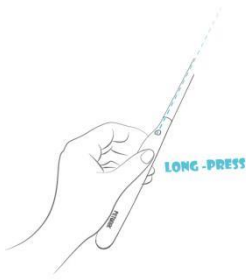
Directions for Use

1. Unscrew the battery cover with a screw driver (not included), insert 2 new 1.5V AAA size batteries (not included) and tighten the screw. Please ensure that batteries are inserted with correct polarity.



Voltage 3V
2 x AAA size batteries
(not included)

2. Press and hold down the ON/OFF button. The laser beam will appear and will remain on until you release the button.



In the event that the Laser Wand Stops Working

- Check if the batteries have run out of power.
- Make sure batteries are properly installed.
- Replace batteries when required.

Warning



- Do not aim the laser light directly into the eyes of pets or people.
- Pets should be supervised while playing with this product.
- Do not allow children to use this product without adult supervision.
- Do not allow children to change batteries without adult supervision.
- Do not use old and new batteries of a different type.
- Remove batteries if the toy is not in use for prolonged periods.

This product is classified as a Class 1 laser product and contains a Diode laser <math><1\text{mW}</math>.

WARNING: BATTERIES ARE TO BE INSERTED WITH THE CORRECT POLARITY.

DO NOT MIX DIFFERENT TYPES OF BATTERIES OR NEW AND USED BATTERIES.

NON-RECHARGEABLE BATTERIES ARE NOT TO BE RECHARGED.

RECHARGEABLE BATTERIES ARE ONLY TO BE CHARGED UNDER ADULT SUPERVISION.

RECHARGEABLE BATTERIES ARE TO BE REMOVED FROM THE PET TOY BEFORE BEING CHARGED.

THE SUPPLY TERMINALS ARE NOT TO BE SHORT-CIRCUITED.

REMOVE BATTERIES FROM THE PET TOY WHEN NOT IN USE FOR EXTENDED TIME OR WHEN BATTERIES BECOME EXHAUSTED.

BATTERY INSTALLATION BY ADULT REQUIRED.

DISPOSE OF BATTERIES RESPONSIBLY.

DO NOT DISPOSE OF IN FIRE.

WARNING: Pet toy – Not intended for children.

It is the responsibility of the pet owner if this toy is suitable for their pet's style of play.

No pet toy is indestructible and can be damaged during play.

For your pet's safety, inspect regularly and remove if damaged.

Always supervise your pet during play.

Do not bend the pole by force.