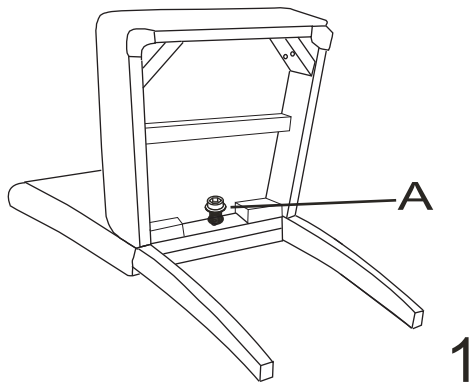


Assembly Instruction FABRIC DINING CHAIR 42951742

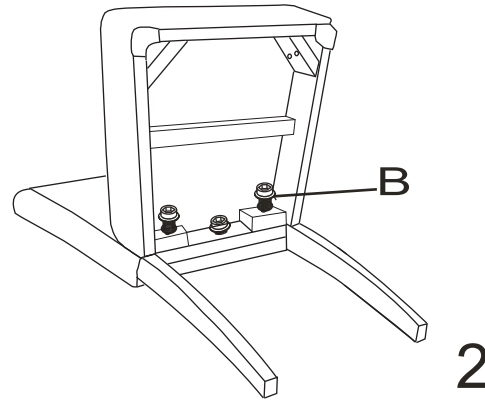
CARE INSTRUCTIONS: WIPE CLEAN WITH A DAMP CLOTH. DO NOT USE ABRASIVE MATERIALS AND SOLVENTS. CHECK AND TIGHTEN ALL PARTS REGULARLY. STORE IN A DRY PLACE. FOR INDOOR AND DOMESTIC USE ONLY.

WARNING: DO NOT STAND ON THIS ITEM. DO NOT USE THIS ITEM AS A STEP LADDER. DO NOT USE IT UNLESS ALL BOLTS, SCREWS AND KNOBS ARE FIRMLY SECURED. SUITABLE FOR ONE PERSON USE ONLY. ONLY USE ON LEVEL AND FLAT FLOOR. FAILURE TO FOLLOW THESE WARNINGS COULD RESULT IN SERIOUS INJURY.

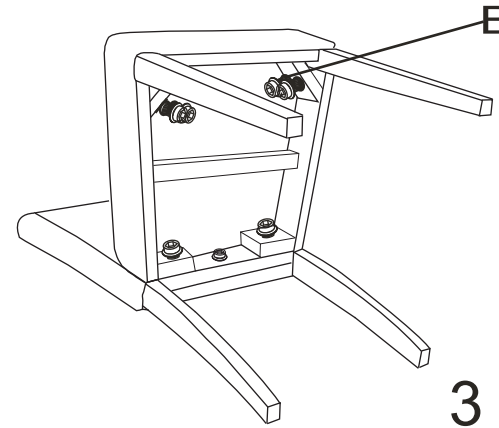
MAXIMUM SAFE LOAD: 100KGS



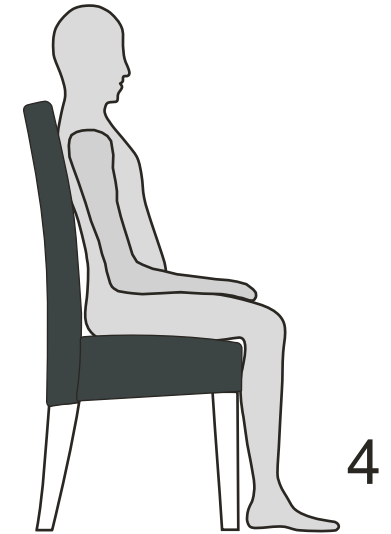
Put the screws in the holes, tight the screws, but not too tight, 90% is ok.



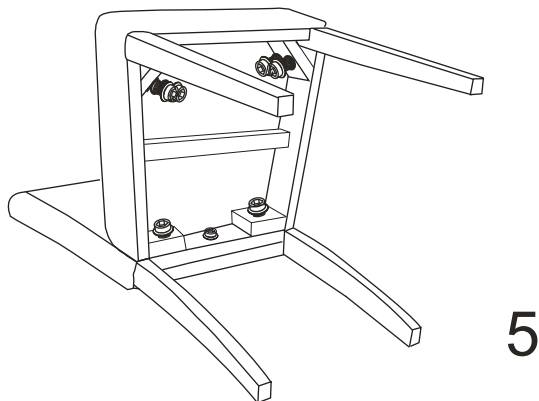
Put the screws in the holes, tight the screws, but not too tight, 90% is ok.



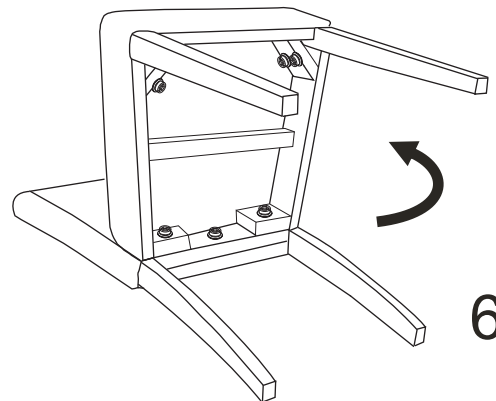
Put the screws in the holes, tight the screws, but not too tight, 90% is ok.



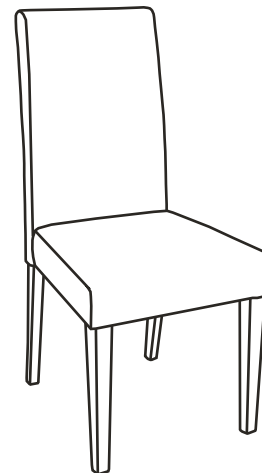
Then adjust the balance of the chair.



Tight all the screws to 100%



Stick the black part on the seat



Back 1PC	Seat 1PC	Leg 2PCS
A	B	
Size: M8X55mm 1PC	Size: M8X75mm 8PCS	Size: M8 1PC