

anko

18
kg

MAXIMUM
WEIGHT
OF CHILD

WOODEN COT WITH DRAWER INSTRUCTION MANUAL

5
kg

DRAWER
MAXIMUM
LOADING



Keycode: 42956396

MADE IN CHINA

FOR AU / NZ: IMPORTED BY KMART
STORES IN AUSTRALIA AND NEW ZEALAND.

KMART AUSTRALIA - 690 SPRINGVALE ROAD, MULGRAVE, VIC 3170
AUSTRALIA.

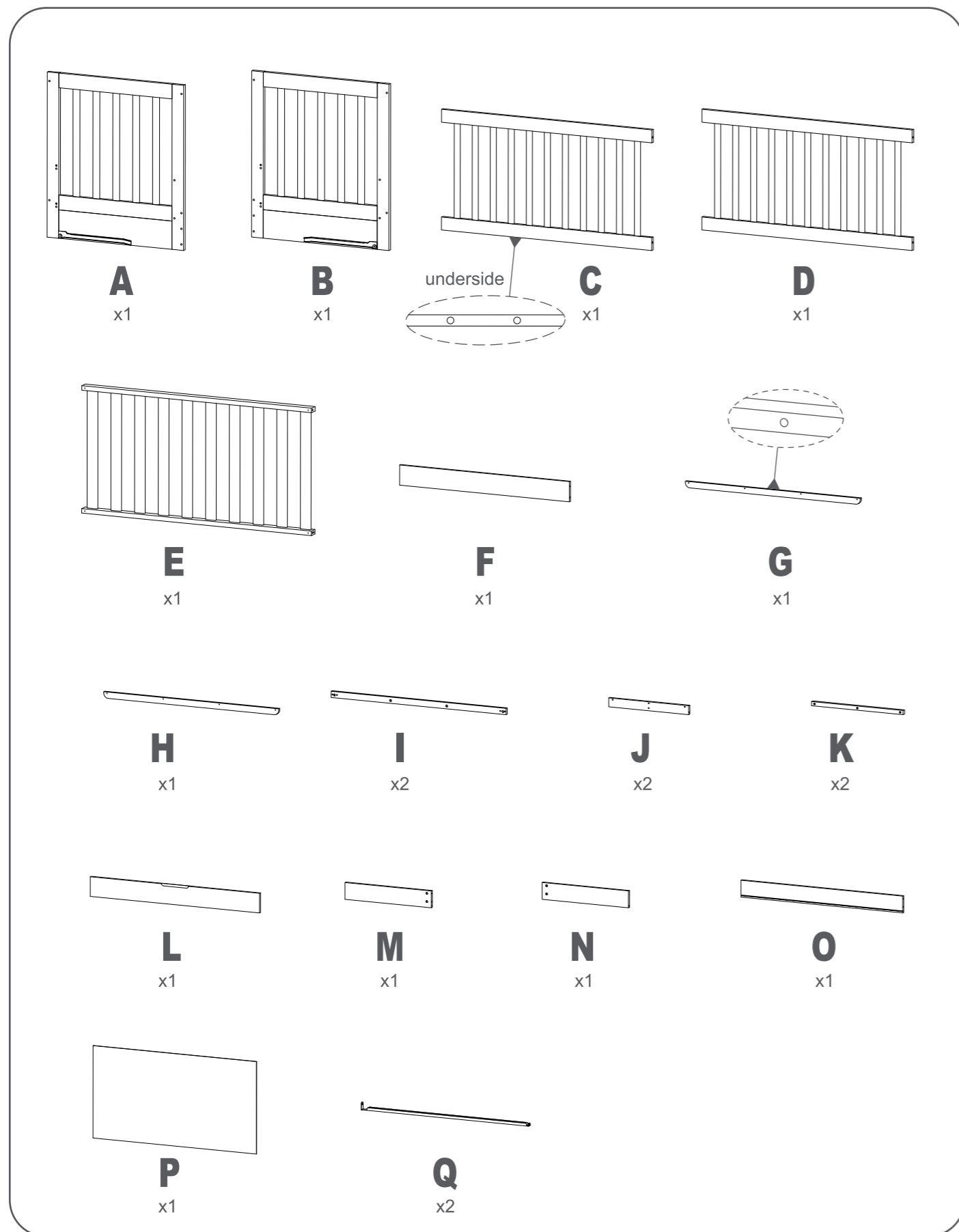
KMART NEW ZEALAND - REGIONAL OFFICE C/O KMART PAPATOETOE
STORE, HUNTERS PLAZA, GREAT SOUTH ROAD, PAPATOETOE,
AUCKLAND, NEW ZEALAND.

Drawings/images in the manual are for visual purposes only. Actual product may vary slightly.
The manufacturer reserves the right to change any specification or feature without prior notice.

IMPORTANT. KEEP FOR FUTURE REFERENCE. READ CAREFULLY.

Read these instructions carefully before use and keep for future reference. The child may be hurt if you do not follow these instructions.

Supplied loose in box



The width and length are specified because it is important that the gaps between the mattress and the sides and ends of the cot will not exceed 40mm when the mattress is pushed to one side or end, and 20mm when the mattress is centred in the cot.

This is to minimise the danger of a child's limb becoming caught in the gap. The thickness of the mattress has been specified to ensure that the depth of the cot is greater than 500mm with the mattress base in the lower position and is greater than 300mm with the mattress base in the upper position to minimise the risk of a child climbing or falling out of the cot.

CARE AND MAINTENANCE:

- To ensure the long-lasting use of your cot, wipe down with a damp cloth and use a mild soap solution if necessary.
- Do not use abrasive cleaners.
- Always store product in a clean dry place.
- Always check parts regularly for tightness of screws, nuts and other fasteners – tighten or replace if required.
- To maintain the safety of your cot, seek prompt repairs for bent, torn, worn or broken parts.
- Use only those parts and accessories approved and supplied by the manufacturer.

WARNING:

ADULT ASSEMBLY REQUIRED:

DUE TO THE PRESENCE OF SMALL PARTS DURING ASSEMBLY, KEEP OUT OF REACH OF CHILDREN UNTIL ASSEMBLY IS COMPLETE. TO PREVENT FALLS, THE MATTRESS BASE OF THIS COT SHOULD BE ADJUSTED TO THE LOWEST POSITION BEFORE THE CHILD CAN SIT UP UNAIDED. FOLLOW THE MANUFACTURER'S ASSEMBLY INSTRUCTIONS TO ENSURE THE SAFETY FEATURES OF THE COT ARE NOT COMPROMISED.

This cot has been manufactured for one child only, with a maximum weight of 18kgs.

When the mattress base is assembled in the lower position, ensure the higher cot base holes are covered tightly with the filling bolts supplied. This is to prevent finger entrapment, swallowing and inhalation hazards.

ENSURE the cot is placed at a reasonable distance from curtains, blinds, heaters and power points.

ENSURE the cot is completely assembled and check that all parts are securely tightened before placing the child into the cot.

ENSURE medication, string, elastic, small toys or small items such as money etc are always kept out of the child's reach when in the cot.

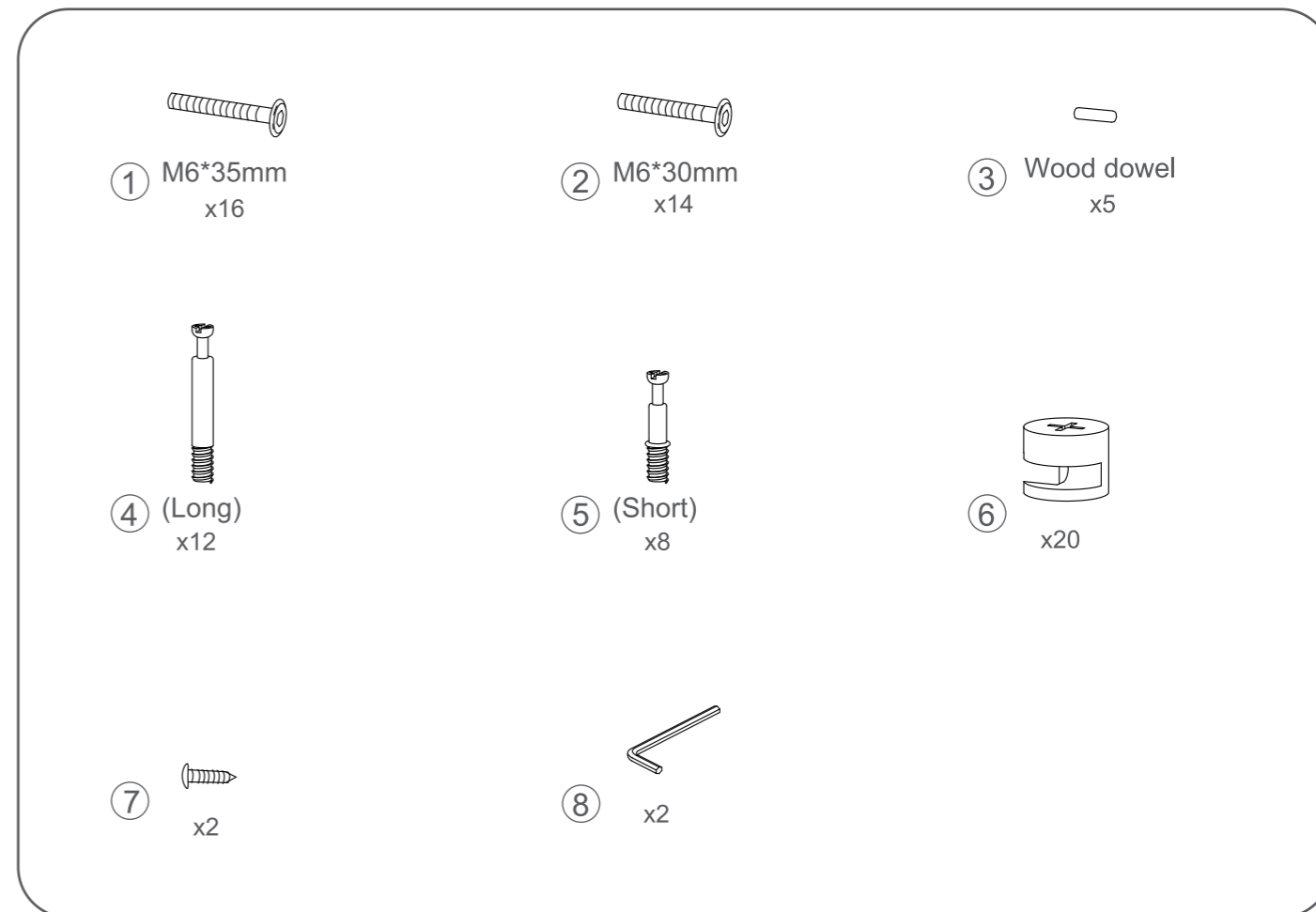
DO NOT over tighten bolts/screws.

ENSURE that the child is clear of any moving parts when adjusting the cot.

For warranty purposes, keep your sales receipt to provide proof of purchase.

RECOMMENDED MATTRESS SIZE (SOLD SEPARATELY):

THIS COT HAS BEEN MANUFACTURED FOR USE WITH A MATTRESS WHICH MEASURES 690mm WIDE x 1300mm LONG AND NO MORE THAN 150mm THICK.

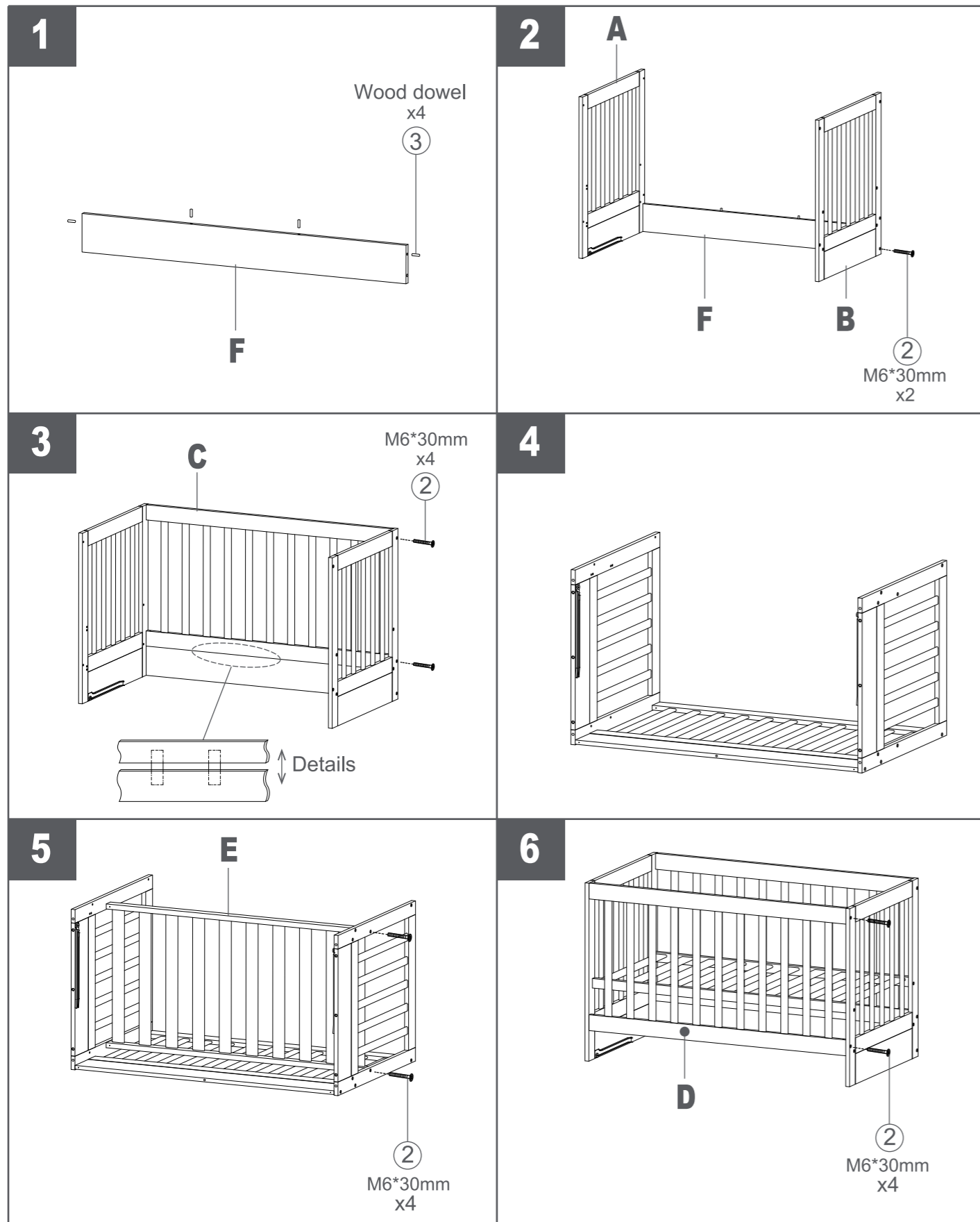


- It is advised that two people assemble the cot in the room in which it is to be used.
- As small parts are involved in assembly, children should be kept clear of the assembly area.
- Dispose of all packaging material immediately after the cot is assembled.
- Identify all parts and components.
- Clear an area on the floor for assembly and place a sheet on the floor to ensure the cot is not scratched during assembly.

WARNING

DO NOT OVER TIGHTEN BOLTS. OVER TIGHTENING BOLTS CAN CAUSE PANELS TO CRACK.

To assemble Cot top



⚠ WARNING:

MATTRESS BASE 'THIS SIDE UP' LABEL MUST BE FACING UPWARD WHEN MATTRESS BASE IS INSTALLED

Mattress Base Heights



Mattress Base in High Position

This base height is set for when your baby is young and can not sit up unaided.

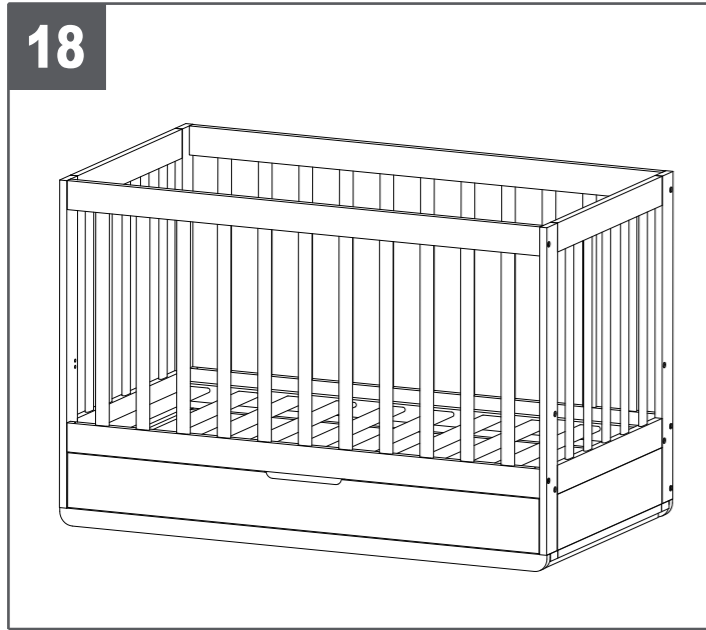


Mattress Base in Low Position

This base height is set for an active baby who can sit up unaided.

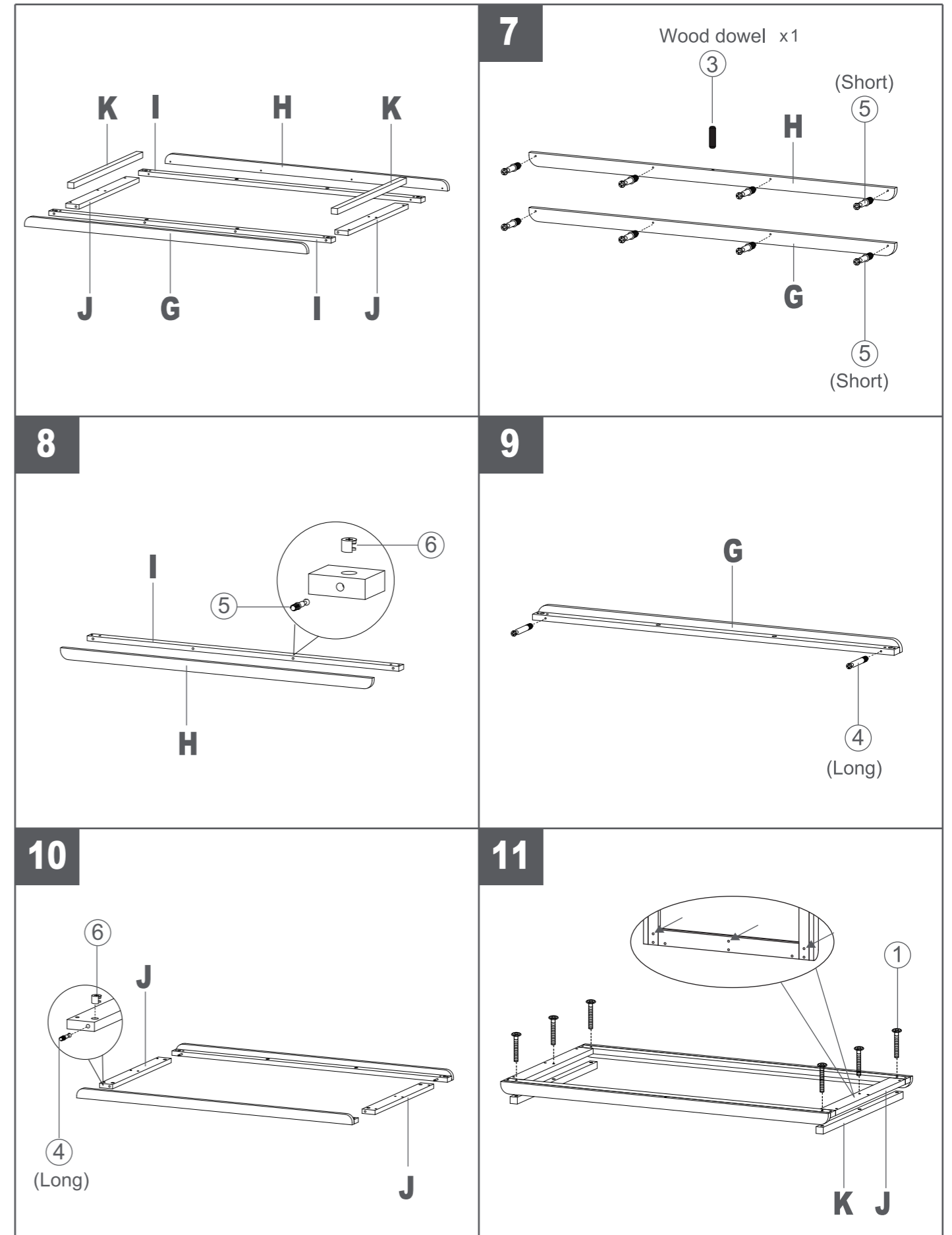
Mattress Base Heights

18

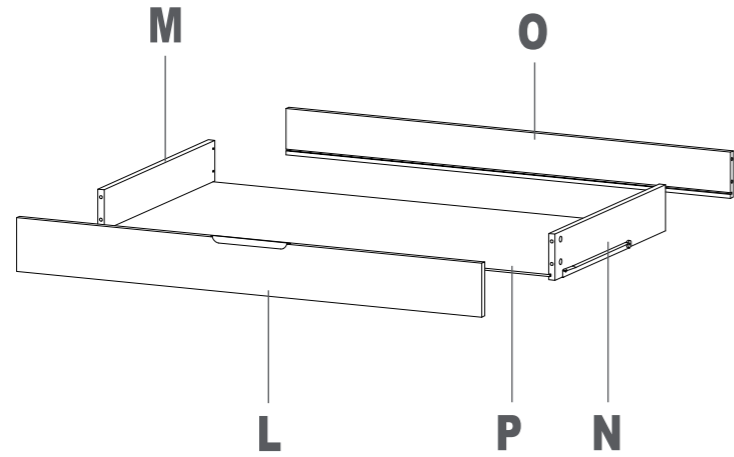


1. Remove the drawer.
2. Carefully lay the cot down on the back panel.
3. Remove the bottom shelf set completely.
4. Remove the 4 x Filler bolts and nuts from the lower base position on the end panels.
5. Remove 4 x 30mm Mattress base bolts then loosen the bolts of one end panel.
6. Carefully slide the Mattress Base to the lower position. Ensure the pre-assembled dowel in the mattress base correctly inserts into the pre-drilled dowel hole in the end panel.
7. Secure the Mattress Base using 4 x 30mm Mattress base bolts. Tighten until firm.
8. Re-fit 4 x Filler bolts and nuts to the upper Mattress Base mounting holes to prevent possible finger entrapment.
9. Re-attach the bottom shelf set.
10. Carefully stand the cot upright. Check all bolts are tightened until firm.
11. Re-assemble the drawer.

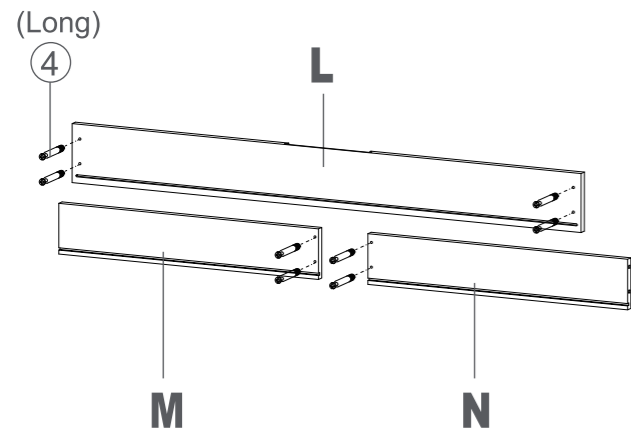
To assemble bottom shelf set



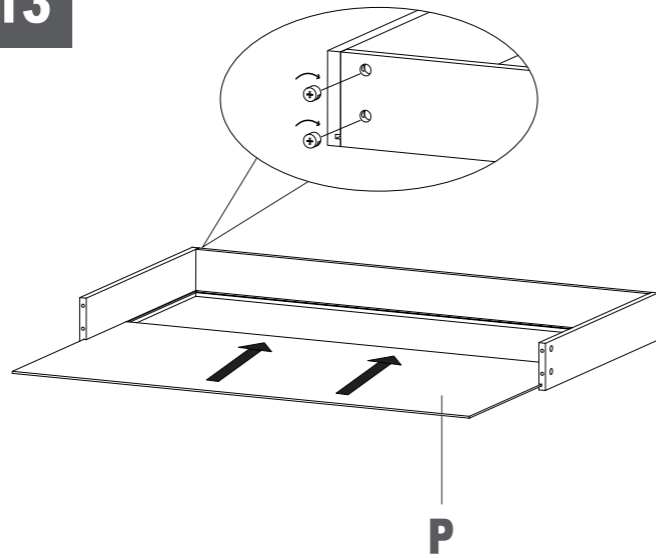
To assemble Drawer



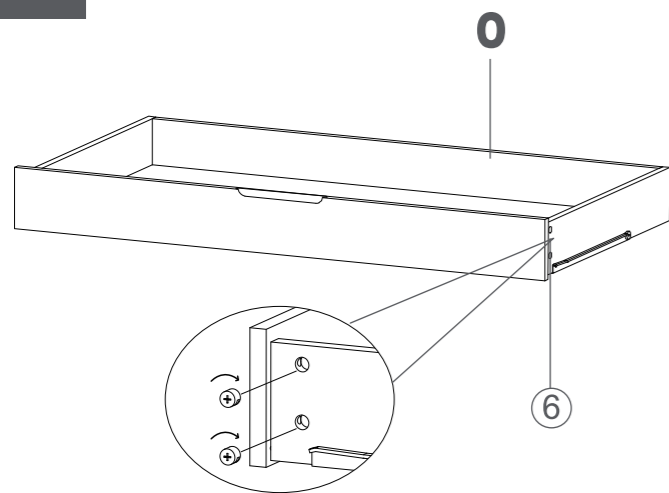
12



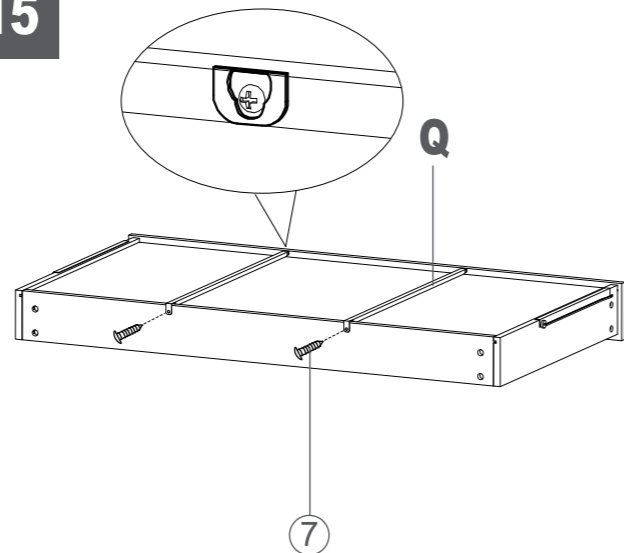
13



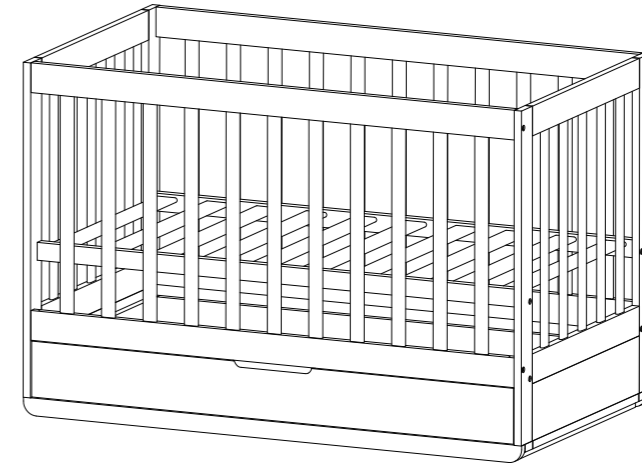
14



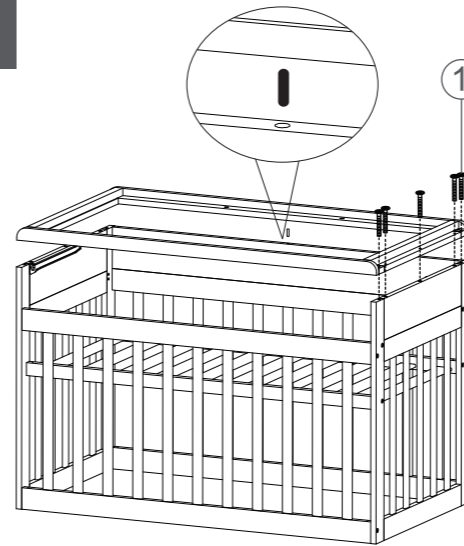
15



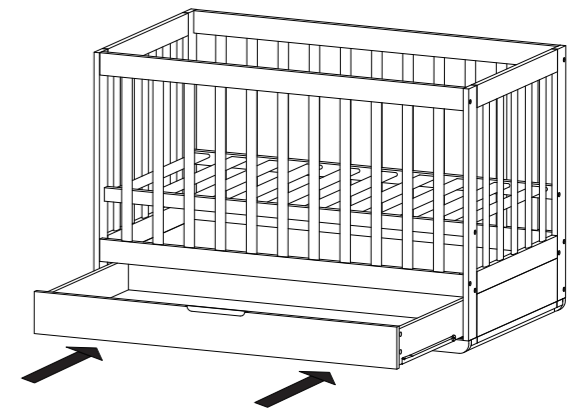
To assemble Cot



16



17



⚠ WARNING:

MATTRESS BASE 'THIS SIDE UP' LABEL MUST BE FACING UPWARD WHEN MATTRESS BASE IS INSTALLED

CRUSH HAZARD

CLOSING DRAWERS MAY CAUSE INJURY TO YOUR HANDS OR FINGERS.

ALWAYS CLOSE OR OPEN DRAWERS USING HANDLES. KEEP HANDS AWAY FROM DRAWER EDGES WHEN OPENING OR CLOSING DRAWERS.

FAILURE TO FOLLOW THESE INSTRUCTIONS COULD RESULT IN INJURY OR CUTS.