

anko

User Manual
CAMP CARAVAN THERMOMETER
Keycode: 42965824

1. Introduction


The following user guide provides step by step instructions for installation and operation.

2. Getting Started

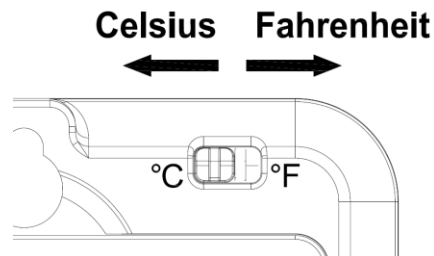
2.1 Parts List

QTY	Item
1	Display Console Frame Dimensions (LxWxH): 7.5 x5.8 x 1.9cm LCD Dimensions (LxW): 4.1 x5.2cm
1	Manual

2.2 Display Console Set Up

 **Note:** To avoid permanent damage, please take note of the battery polarity before inserting the batteries.

BEFORE inserting the batteries, **change Celsius/Fahrenheit Switch FIRST** (the default is **Celsius**) Figure 1- if necessary. If you want to change the temperature unit when the unit is working you need to take out the batteries first. Then switch C/F as Figure 1 and re-insert batteries. **Important: You need to change temperature unit (C/F) before the item is powered on.**



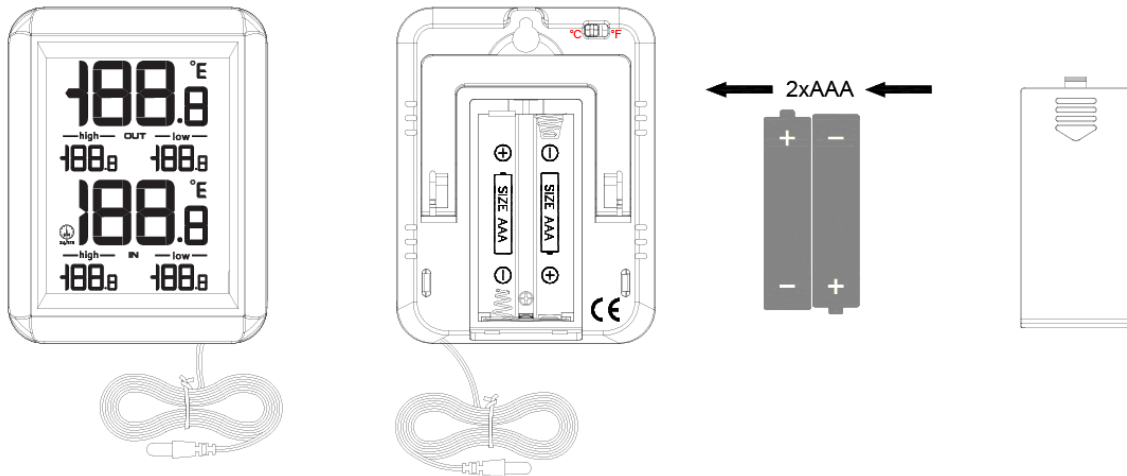


Figure 1

Remove the battery door on the back of the display. Insert two AAA (alkaline or lithium) batteries in the back of the display console, as shown in

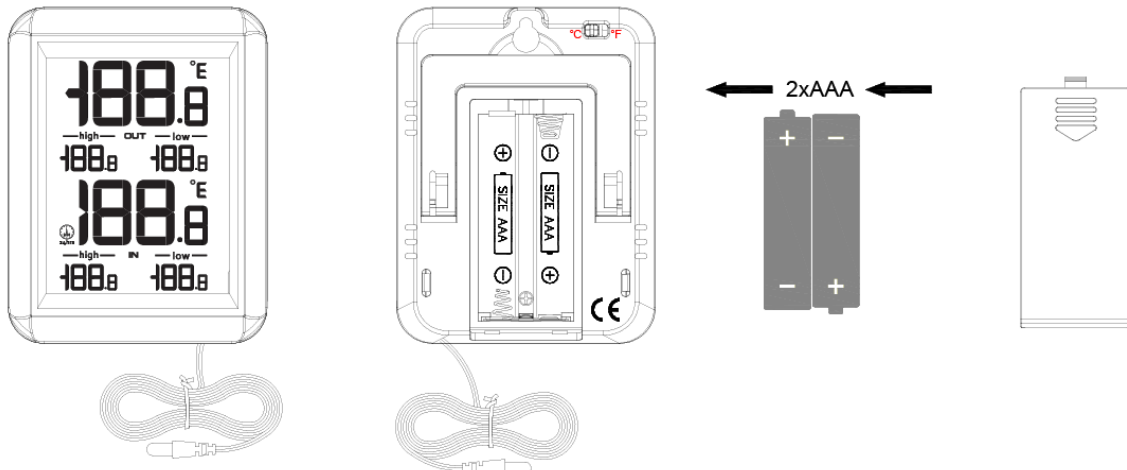


Figure 2.

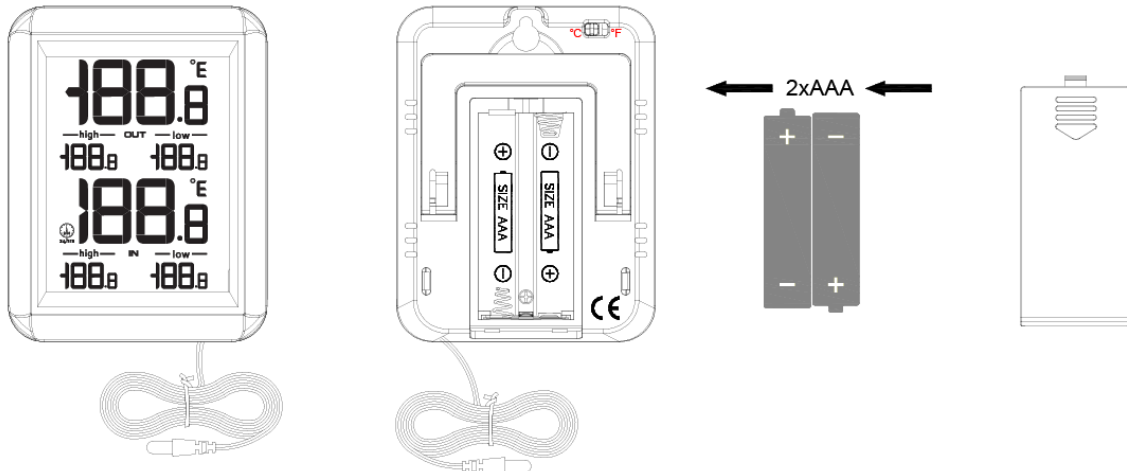


Figure 2

All of the LCD segments will light up for a few seconds to verify all segments are operating

properly.

Verify the correct temperature unit of measure (°F vs. °C) are on the display as shown in Figure 3

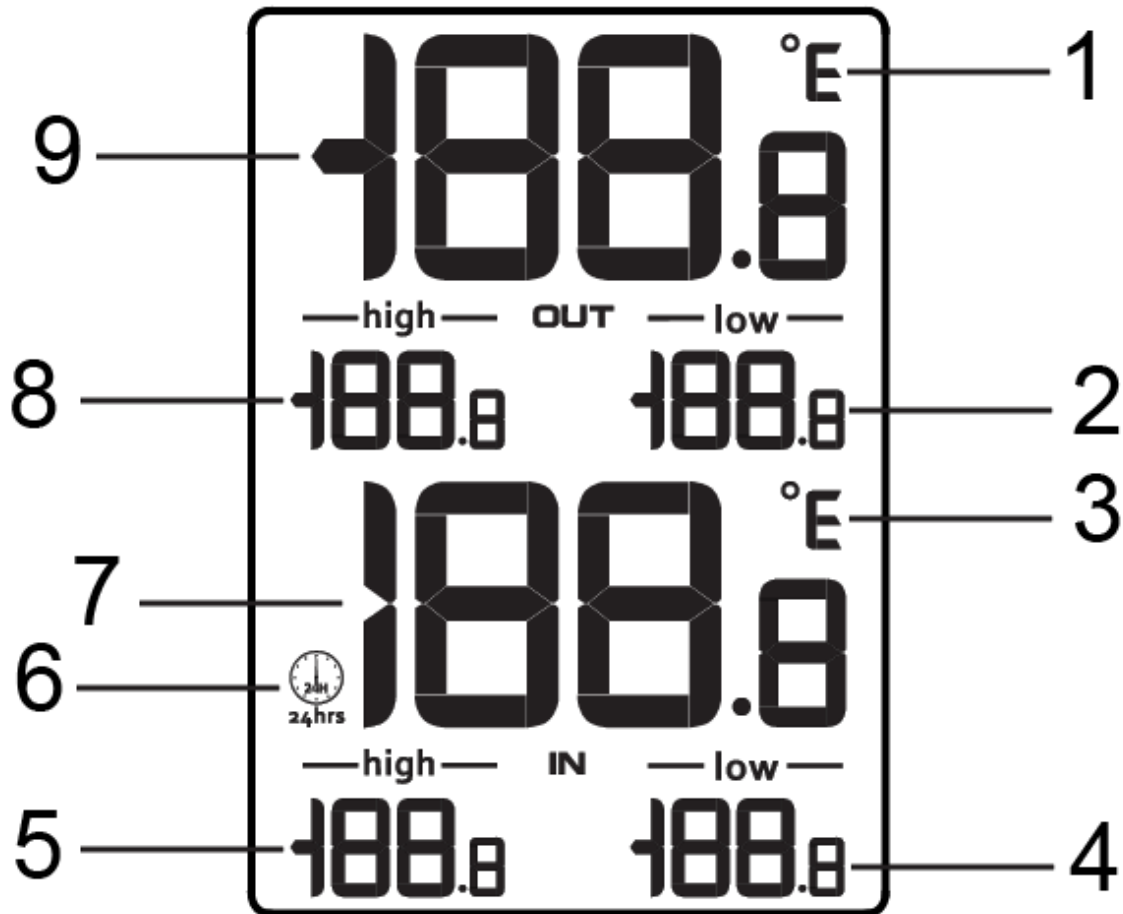


Figure 3

- | | |
|--------------------------------------|----------------------------------|
| 1.Out temperature unit (°F or °C) | 6. 24hours automatically cleared |
| 2.Outdoor lowest temperature | 7.Indoor temperature |
| 3.Indoor temperature unit (°F or °C) | 8.Outdoor highest temperature |
| 4.Indoor lowest temperature | 9.Outdoor temperature |
| 5.Indoor highest temperature | |

Replace the battery door, then fold out the desk stand and place the console in the upright position, as shown in

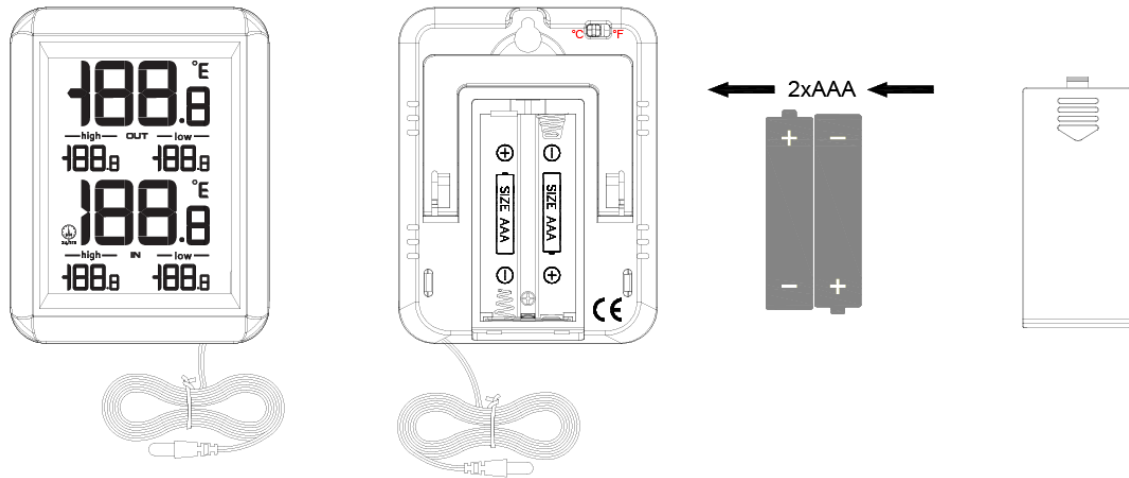


Figure 4.

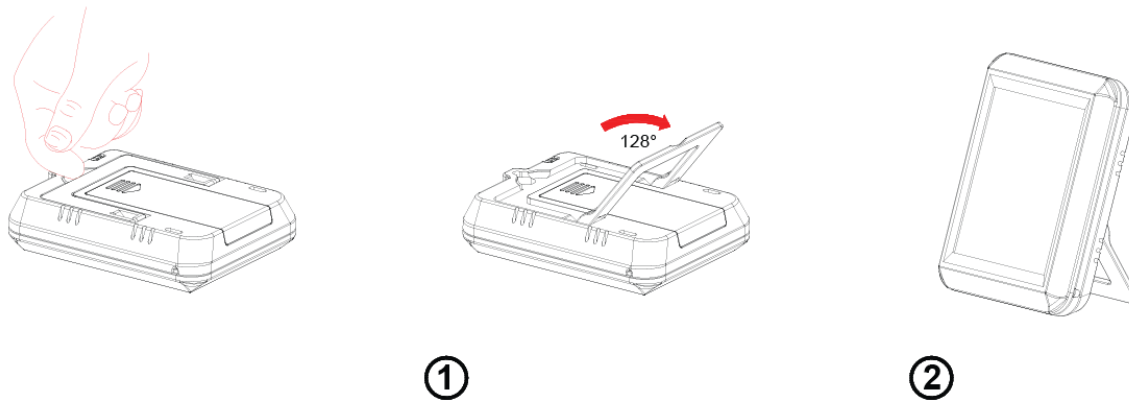


Figure 4

2.3 Sensor Operation Verification

Verify the indoor and outdoor (probe) temperature match closely. The sensors should be within 2°C (the accuracy is $\pm 1^\circ\text{C}$). Allow a few minutes to stabilize.

3. Specifications

3.1 Measurement Specifications

The following table provides specifications for the measured parameters.

Measurement	Range	Accuracy	Resolution
Indoor Temperature	0~60°C	$\pm 1^\circ\text{C}$	0.1 °C
Outdoor Temperature	-40 to 60 °C	$\pm 1^\circ\text{C}$	0.1 °C

3.2 Power Consumption

- 2 x AAA 1.5V Alkaline batteries
- Battery life: Minimum 24 months for base station

Made in china