

Assembly Instructions


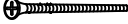
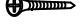

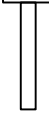
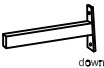
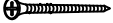

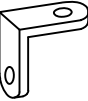
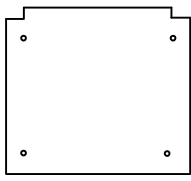
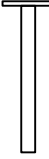

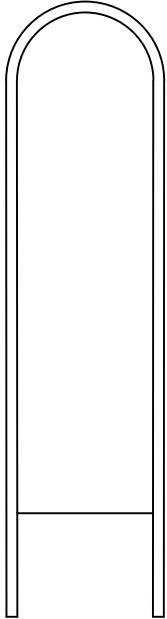
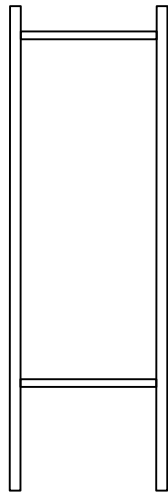
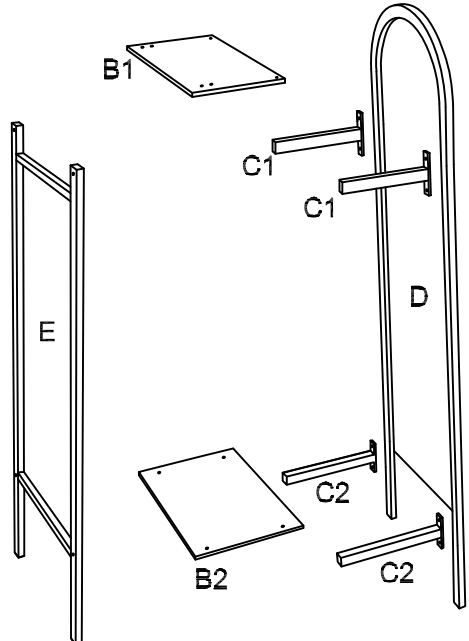
42966364 OAK LOOK FLOOR MIRROR

CARE INSTRUCTIONS:

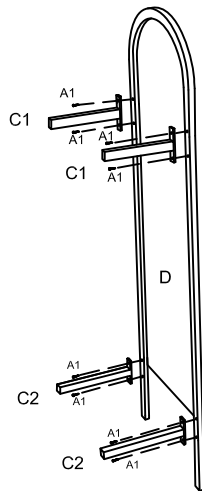
WIPE CLEAN WITH A DRY CLOTH. DO NOT USE ABRASIVE MATERIALS AND SOLVENTS. CHECK AND TIGHTEN ALL PARTS REGULARLY. KEEP AWAY FROM WATER AND DIRECT SUNLIGHT. DO NOT PLACE HOT ITEMS SUCH AS COFFEE CUPS DIRECTLY ON THE SURFACE. STORE IN A DRY PLACE. FOR INDOOR AND DOMESTIC USE ONLY.

WARNING:

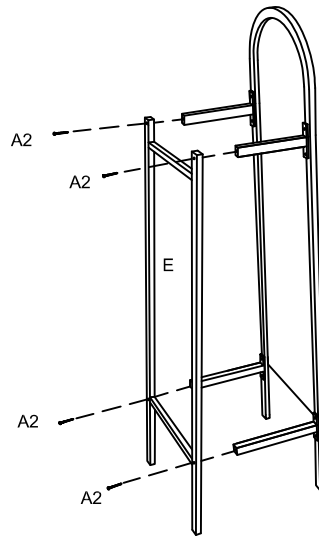
DO NOT STAND OR SIT ON THIS ITEM. DO NOT USE UNTIL ALL SCREWS ARE FIRMLY SECURED. USE ONLY ON A FLAT SURFACE. ADULT ASSEMBLY REQUIRED. FAILURE TO FOLLOW THESE WARNINGS COULD RESULT IN SERIOUS INJURY. MAX SAFE LOAD LIMIT 5KGS PER SHELF.

									
A1	8PCS	A2	4PCS	A3	10PCS	B1	1PC	C1	2PCS
									
A4	2PCS	b	2PCS	B2	1PC	C2	2PCS		
									
D	1PC	E	1PC						

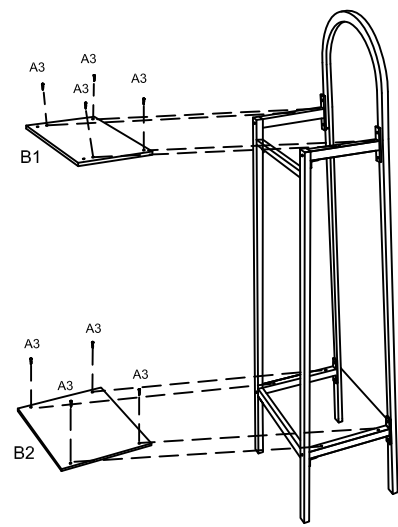
Step 1



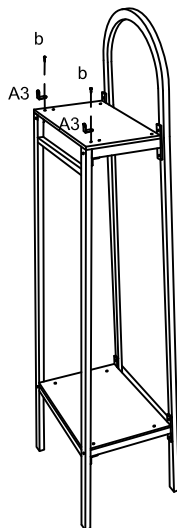
Step 2



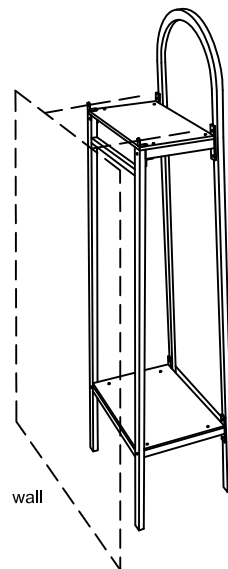
Step 3



Step 4



Step 5



Fix this product to the wall with screws (A4).



Tool required: Phillips Head Screwdriver (Not Included)

TOPPLING FURNITURE WARNING:

- >It is strongly recommended that this product is permanently fixed to the wall.
 - >Please seek professional advice if you are in doubt of what fixing device to use.
 - >Regularly check that anchors are securely maintained
 - >Stability of tall items may be affected by thick pile carpet or uneven floors
 - >Do not place unanchored televisions on furniture.
- Caution:** for your safety when attaching the anchor fixings, please note the following:
Check any electrical wires or plumbing inside the wall before drilling any holes (if you are unsure please seek professional advice from a qualified tradesperson)