





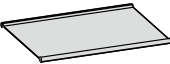
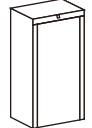
# Assembly Instructions

## 42966913 6 SHELF COVERED SHOE STORAGE

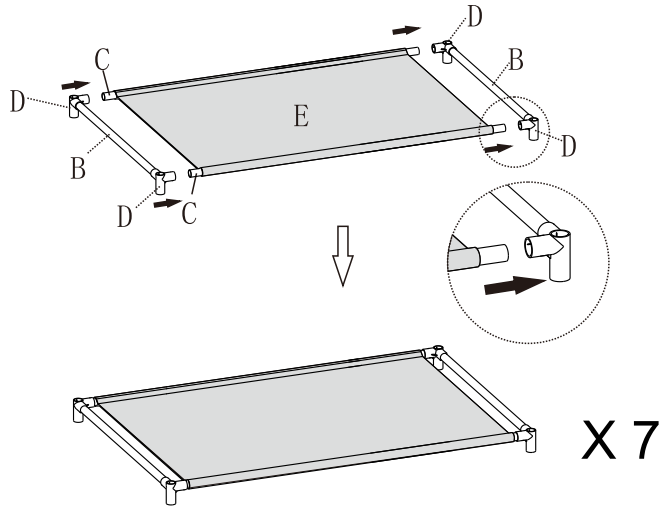
**ATTENTION:**

- ENSURE PARTS ARE PUSHED TOGETHER SECURELY
- FOR INDOOR USE ONLY.
- MAXIMUM LOADING WEIGHT:3KG FOR EACH SHELF

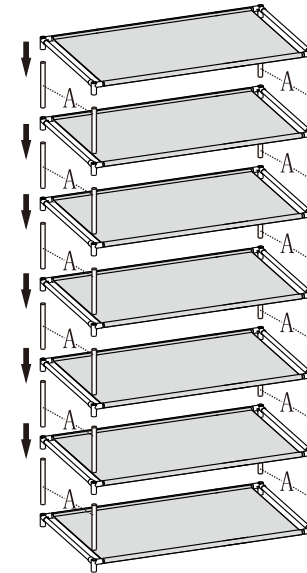
### Hardware List

	Qty	Part
A	24	 220mm
B	14	 250mm
C	14	 563mm
D	28	
E	7	
F	1	

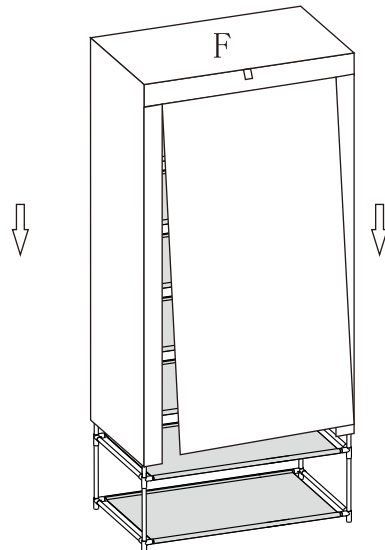
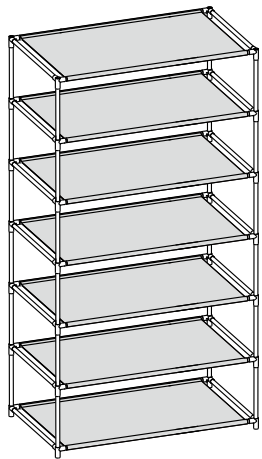
### Step 1



### Step 2



### Step 3



### Step 4

