

Assembly Instructions

42967132 DESK ANDERS

CARE INSTRUCTION:




TO BE ASSEMBLED ON A CLEAN, DRY AND SMOOTH SURFACE. WIPE CLEAN WITH A SOFT DAMP CLOTH. NEVER USE SCOURERS, ABRASIVES OR CHEMICAL SOLVENTS. CHECK AND TIGHTEN ALL PARTS REGULARLY. KEEP AWAY FROM MOISTURE AND DIRECT SUNLIGHT. STORE IN A DRY PLACE. FOR INDOOR AND DOMESTIC USE.




WARNINGS:




DO NOT STAND, SIT OR LEAN ON THIS UNIT. DO NOT USE THIS UNIT AS A STEP LADDER. ENSURE THIS UNIT IS USED ONLY ON A FLAT SURFACE. DO NOT USE THIS UNIT UNLESS ALL BOLTS AND SCREWS ARE FIRMLY SECURED. KEEP AWAY FROM CHILDREN AND BABIES. THIS PACKAGE CONTAINS SMALL PARTS AND SHARP POINTS. ADULT ASSEMBLY REQUIRED. A MILD ODOUR MAY BE PRESENT WHEN FIRST OPENING THIS CARTON. SIMPLY ALLOW TO AIR OUTSIDE AND THIS WILL FADE.


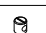

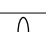
MAXIMUM SAFE LOAD: 3KG FOR TOP SHELF, 25KG FOR DESK TOP, 5KG FOR DRAWER.

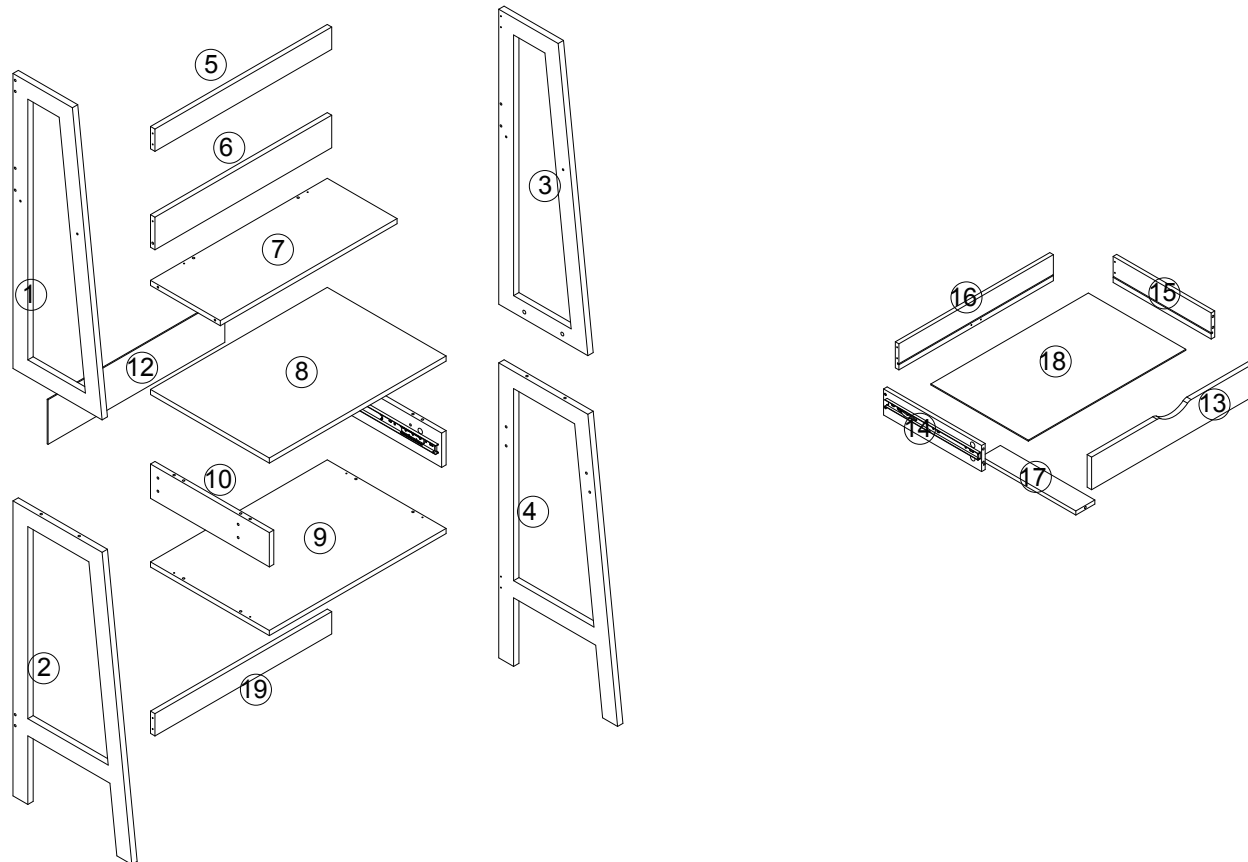
Hardware List

	a	6x25mm	9pcs
	b	10x12mm	9pcs
	c	6x30mm	10pcs

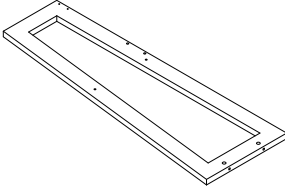
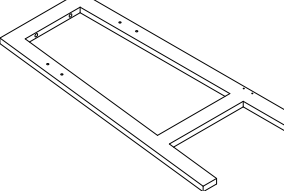
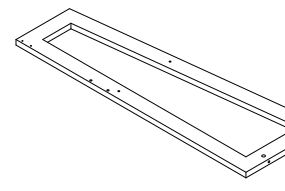
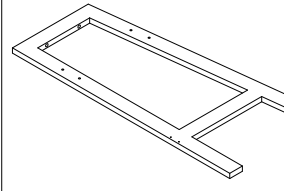
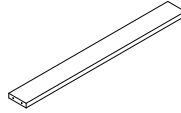
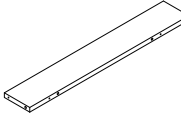
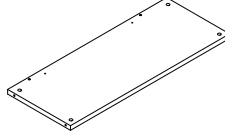
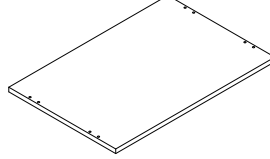
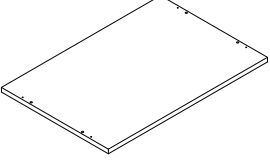
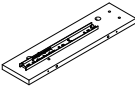
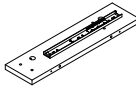
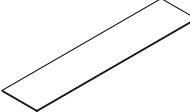
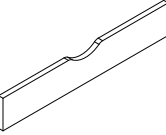
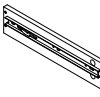

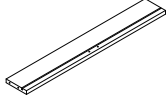

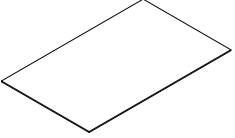
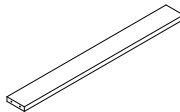
	d	4x35mm	12pcs
	e		4pcs
	f		4pcs




	g	2x16mm	8pcs
	h	5x50mm	16pcs
	i	10x10mm	16pcs

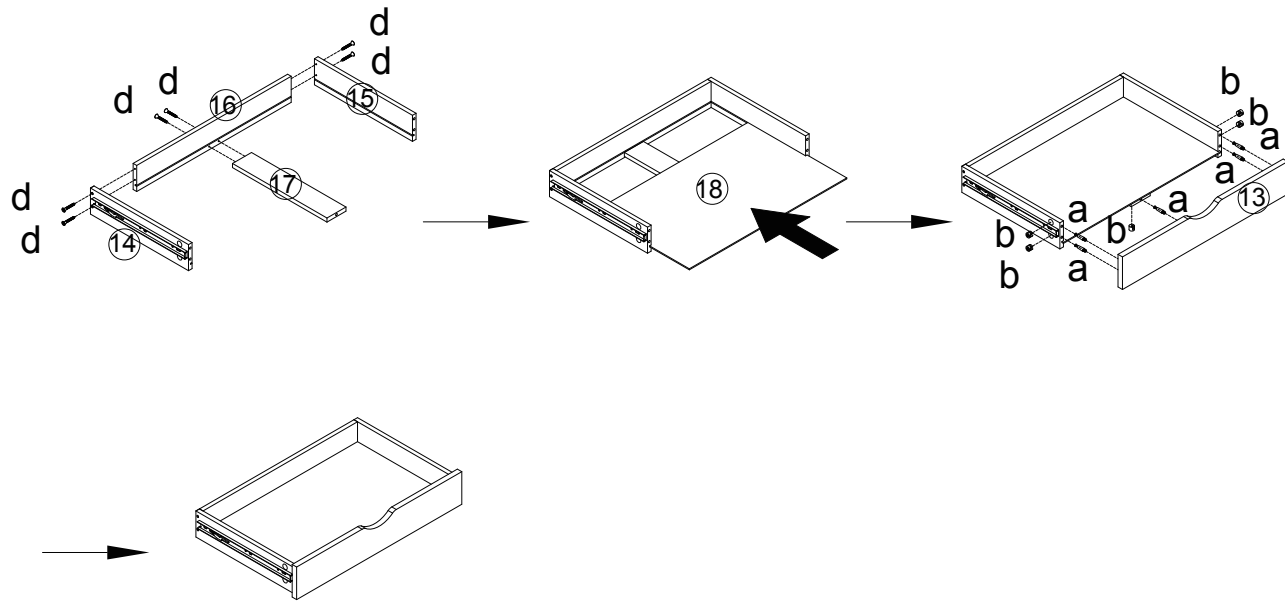
	j	6x55mm	4pcs
	k	9x10mm	4pcs
	l	6x20mm	8pcs
	m		20pcs





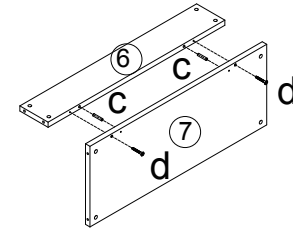
Do not tighten the screws fully during assembly. Fully tighten screws after the final assembly steps.

					
① 1PC	② 1PC	③ 1PC	④ 1PC	⑤ 1PC	⑥ 1PC
					
⑦ 1PC	⑧ 1PC	⑨ 1PC	⑩ 1PC	⑪ 1PC	⑫ 1PC
					
⑬ 1PC	⑭ 1PC	⑮ 1PC	⑯ 1PC	⑰ 1PC	⑱ 1PC
					
⑲ 1PC					

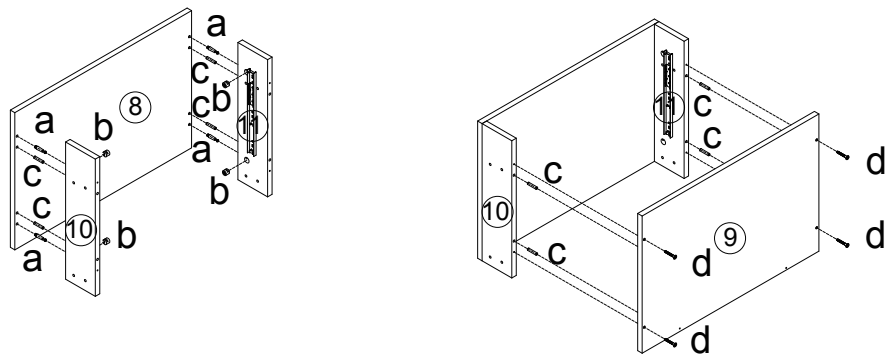
Step 1:  x 5  x 5  x 6

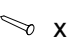


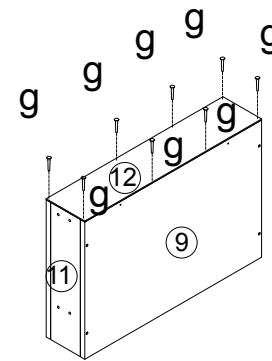
Step 2:  x 2  x 2



Step 3:  x 4  x 4  x 8  x 4

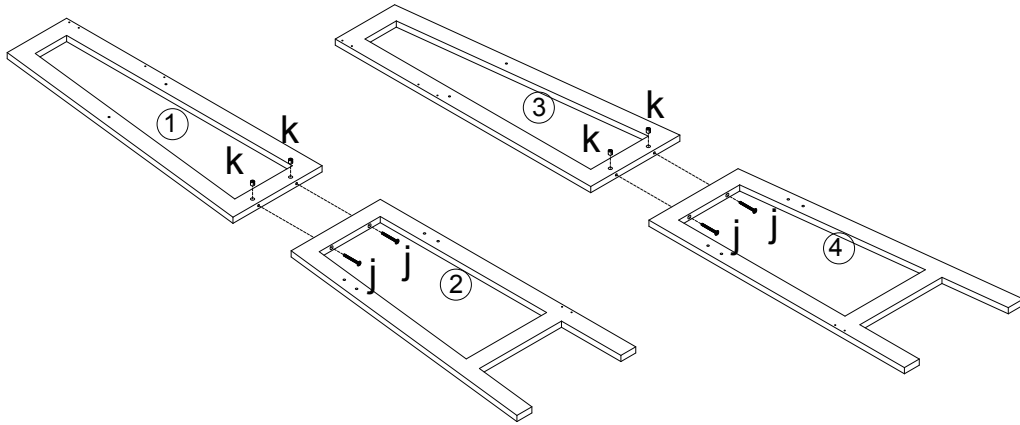


Step 4:  x 8



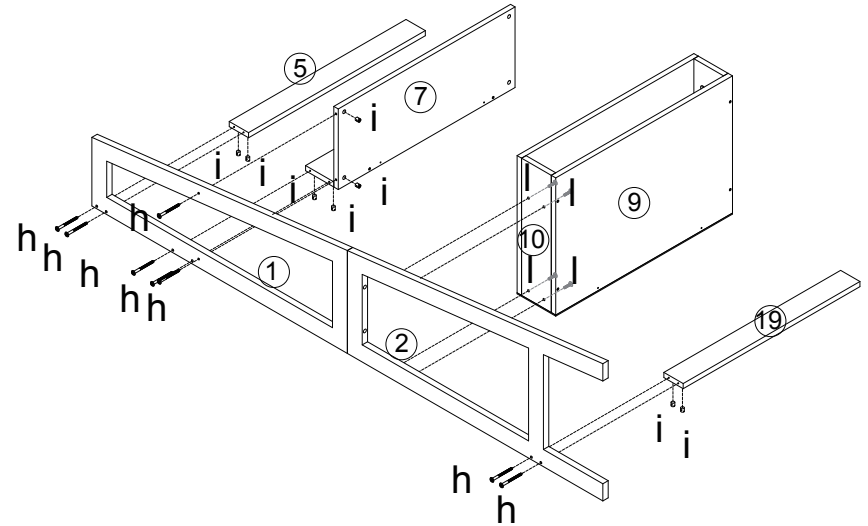
Step 5:

⊕ x4 ⚓ x4



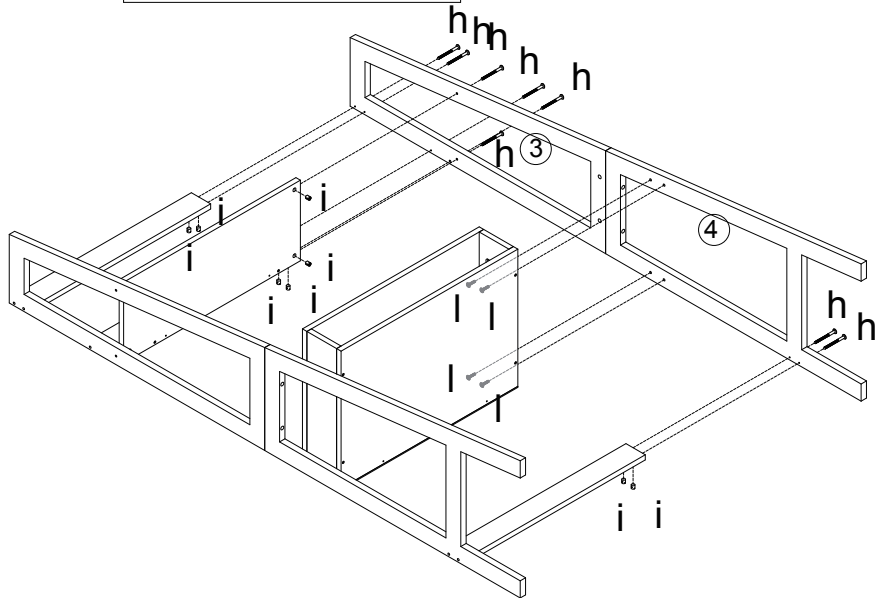
Step 6:

⚓ x8 ⊕ x8 ⚓ x4



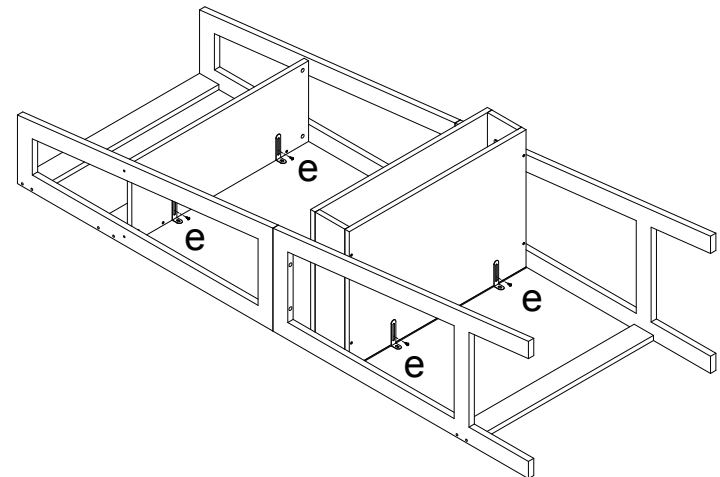
Step 7:


⚓ x8 ⊕ x8 ⚓ x4

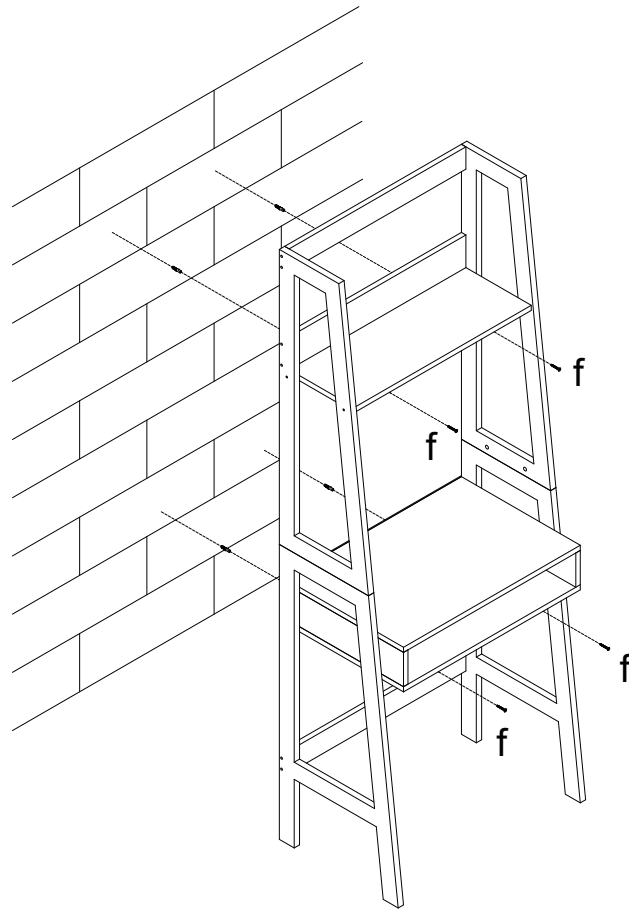


Step 8:

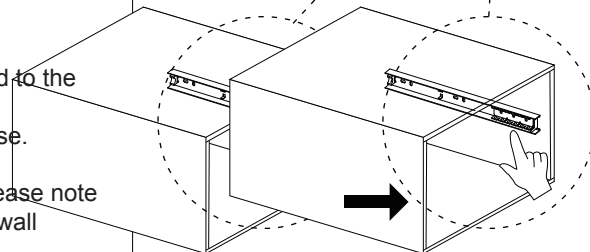
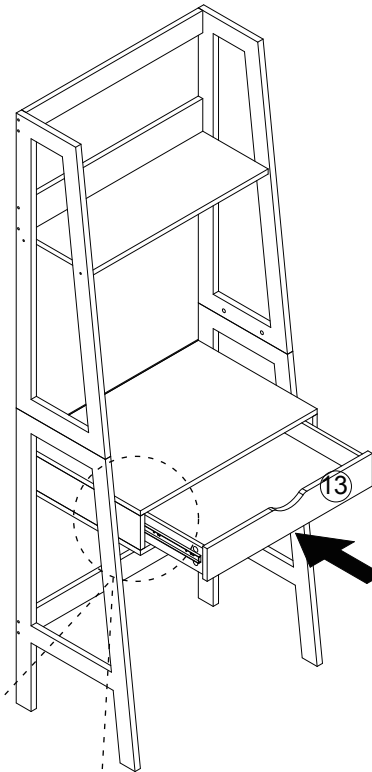
⚓ x4




Step 9:  x 4

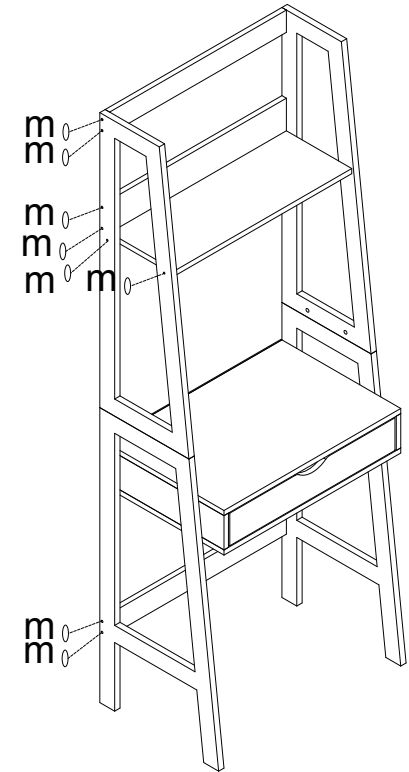


Step 10:



Slide ball bearing slide part to top of rail when assembling the drawer.

Step 11:  x 20



It is strongly recommended that this product is permanently fixed to the wall. Please seek professional advice if you are in doubt of what fixing device to use. Regularly check that anchors are securely maintained. CAUTION: for your safety when attaching the anchor fixings, please note the following: Check any electrical wires or plumbing inside the wall before drilling any holes (if you are unsure please seek professional advice from a qualified tradesperson).