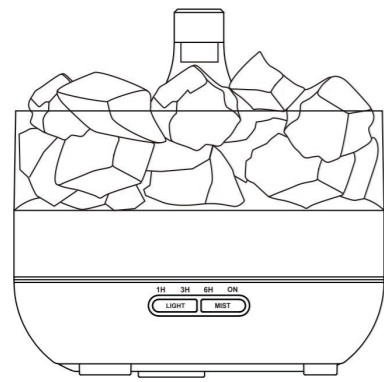


42967491

Himalayan Salt Rock Aroma Diffuser Instruction Manual



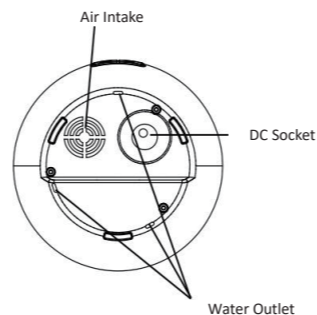
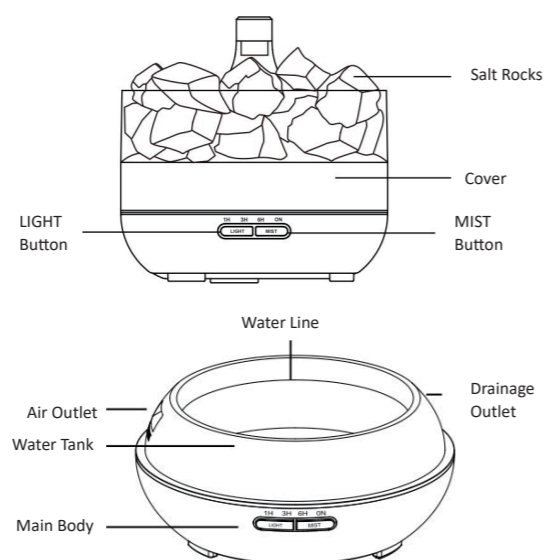
Create an aromatic, soothing atmosphere in your home. Use ultrasonic vibration to transform water into mist. Essential oil can be added to create fragrance.

IMPORTANT!

Care should be taken with the use of diffusers around animals. Both the choice of essential oils and where animals are should be taken into consideration when in use.

- The appliance is only to be used with the power supply unit provided with the appliance.
- This appliance is not intended for use by persons (including children) with reduced physical, sensory or mental capabilities, or lack of experience and knowledge, unless they have been given supervision or instruction concerning use of the appliance by a person responsible for their safety.
- Children should be supervised to ensure that they do not play with the appliance.
- The appliance is only to be used with the recommended vaporizing medium. The use of other substances may give rise to a toxic or create a fire risk.

Names of parts



Operations

1. Position the Aroma Diffuser upright, pull vertically upwards to remove cover. (Fig. 1)
2. Connect AC adaptor power cord into the DC input jack at the base of the diffuser. It is suggested to route cable via track provided. (Fig. 2)
3. Pour water and essential oil into diffuser.

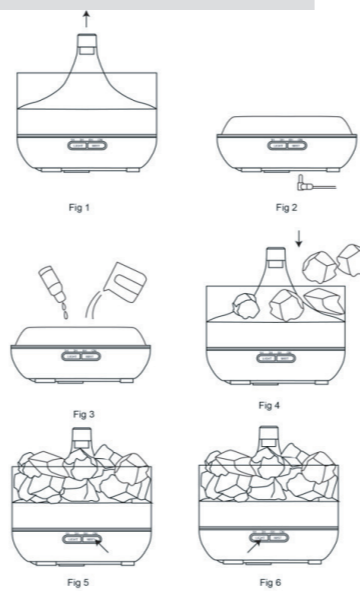
DO NOT fill in excess of 'MAX' marking 300ml.

DO NOT use boiling water.

DO NOT fill when power is on.

It is recommended to add 2-3 drops of essential oil for each 100ml of water. (Fig. 3)

4. Take out the salt rocks and put into the cover and re-install cover. Spout is adjustable to guide aroma into desired direction. Diffuser must NOT be operated without the cover. (Fig. 4)



5. Plug the AC adaptor into a wall outlet.

6. To switch on, press "MIST" and choose operation time required (1 hour, 3 hours, 6 hours or ON Continuous).

Mist level is adjustable by hard-pressing "MIST" until the diffuser beeps (One beep for high and two beeps for low).

To switch off, press "MIST" through the cycle until it is off. (1 hour -> 3 hours -> 6 hours -> ON Continuous -> Off) (Fig. 5)

7. Press the "Light" button once to turn on the light and it will automatically change colour. Press again to lock in one colour, or change the colour yourself. Press and hold the Light button for 2 seconds to turn the light off completely (Fig. 6)

Humidifier

Pour water into the diffuser (without essential oil) to use as a humidifier. The humidifier component adds water vapor into the air to improve air quality.

To switch on, press "MIST" and choose operation time required (1 hour, 3 hours, 6 hours or ON Continuous).

Mist level is adjustable by hard-pressing "MIST" until the diffuser beeps (One beep for high and two beeps for low).

To switch off, press "MIST" through the cycle until it is off. (1 hour -> 3 hours -> 6 hours -> ON Continuous -> Off)

DO NOT use boiling water.
DO NOT fill in excess of "MAX" marking 300ml.
DO NOT fill when power is on.

Attention

- To prevent less or no steam from the diffuser, do not add water above the max level mark.
- To prevent melting damage, do not add more than 5 drops of essential oil into the container.
- 1. Do not use as a medical respirator.
- 2. Do not use the product when there is an abnormal noise or the diffuser is overheating abnormally.
- 3. Do not cover or block the mist outlet or air outlet.
- 4. Do not take off the cover during operation of the diffuser.
- 5. Do not place near an electric device such as a computer, TV or audio equipment.
- 6. Do not use hot water or mineral water. Always use tap water or distilled water.
- 7. Keep out of reach from children and pets.

• Misting and Light modes will switch off automatically when there is insufficient water.

• The amount and intensity of mist produced will vary, but this is not unusual and should not be considered as a fault.

• Factors that affect this include water type, humidity, temperature, air currents.

• Diffuser will auto power off when water runs out.

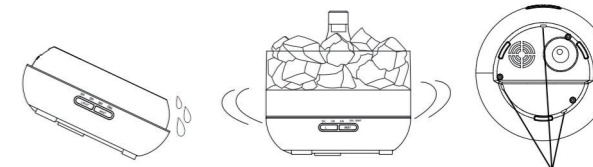
• Only use 100% natural essential oil, if they contain chemical ingredients, flavours or impurities it may damage the diffuser.

• Before using another essential oil, follow the maintenance instructions to clean the product.

• It is recommended to drain water from the tank and keep dry for extended periods of time.

• Always ensure the diffuser is switched off when connecting to a power source.

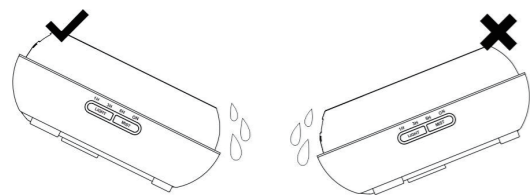
Maintenance



After using 5-6 times, or for 3-5 days, please clean the product as follow:

1. Unplug the unit and remove cover.
2. Pour out any remaining water from the tank.
3. Add a small amount of warm kitchen detergent to clean, use swab to wipe it gently, and then use a cleaning cloth to dry it lightly.
4. Refer to the following pictures: pour out the water according to the left image so water doesn't flow into the air outlet.
5. Do not use other acids or enzymes detergent, as this may give off poisonous gas or cause a malfunction.

Note: Be sure to use a mild detergent.



Precautions

Please check below to avoid malfunction of the unit:

- Do not dismantle or repair the unit if you are not qualified to do so.
- Do not switch on the power when the tank is empty.
- Do not touch the atomization piece.
- Clean regularly as per Maintenance instructions to avoid malfunction.
- Always unplug before maintenance.
- For hygiene reasons, after use, pour away remaining water from "DRAINAGE SIDE" of tank, and wipe with a clean dry cloth.
- Essential oil can corrode. In the event of spillage or contact, please wipe away with a soft cloth.

- Only use the measuring cup to add water into the tank, do not fill water directly from the water pipe.
- Do not let mist come into contact with furniture, clothing, walls etc.
- Keep away from direct sunlight, heat sources, air conditioners and fans.
- Always keep on a stable flat surface. Do not put on carpet, duvet or unstable areas.
- Keep away from electronic equipment, such as TV and Audio equipment.
- Do not use sparkling water, tap water or mineral water.
- Never move product when it is switched on.
- Do not touch any part of the product with wet hands.
- Keep away from children and pets. Children should not touch or operate this product without supervision.
- If the cable is smoking or burning, unplug immediately

ACCIDENTAL LEAKAGE

In the event of the unit being knocked over or tipped during use, please follow these steps to avoid malfunction:

1. Unplug the unit and remove cover.
2. Pour out any remaining water from the water tank.
3. Shake the unit gently to drain water, and then let it air dry for at least 24 hours.

Warning

1. Important safety instructions:
The following safety precautions should always be followed, to reduce the risk of electric shock, personal injury or fire. It is important to read all of these instructions carefully before using the product, and to save them for future reference or new users.
2. The AC/DC adaptor and the apparatus should not be exposed to dripping or splashing water and no objects filled with liquids, such as vases, should be placed on it.
3. Disconnect the AC/DC power input from the wall outlet.
4. The AC/DC adaptor should not be obstructed or easily accessed during intended use.
5. Keep a minimum distance of 10cm around the apparatus for sufficient ventilations.
6. The ventilation should not be impeded by covering the ventilation openings with items such as newspaper, table cloths, curtains etc.

7. No naked flame sources such as lighted candles should be placed on the apparatus.
8. Only use the apparatus in moderate climates.
9. Always turn off power source before cleaning.
10. Unplug the appliance during filling and cleaning.
11. This appliance is not intended for use by persons (including children) with reduced physical, sensory or mental capabilities, or lack of experience and knowledge, unless they have been given supervision or instruction concerning use of the appliance by a person responsible for their safety.
12. Children should be supervised to ensure that they do not play with the appliance
13. Care should be taken when using the appliance due to the emission of hot water vapour.
14. Use the adaptor with IT/AV product only.

Troubleshooting

Please refer to the table below in the event of the product operating abnormally:

| Problems | Possible Reasons | Handling |
|-------------------------------------|---|--|
| Unit does not work | Power not connected. | Connect the power, press the button |
| | Power wire broken or adaptor burnt out. | Please contact local retailer. |
| Unable to spray mist or mist is low | Is the water level low? | Please fill with more water. |
| | Is there too much water inside the tank? | Check the water level hasn't exceeded the 300ml water line. |
| | Is the ceramic disc dirty? | Please clean the water tank. |
| | Is the top cover correctly placed? | Please place top cover in the correct spot. |
| | Is the bottom air inlet dirty? | Please clear away any dust in the bottom air inlet. |
| Main body is leaking water | Is the top cover correctly covered? | If the top cover is not correctly covered, the water will splash out and fall onto the machine or table. |
| | Condensation water on the body may be caused by low-temperature or a humid environment. | Please avoid low-temperature and humid environments. |

12 Month Warranty:

Thank you for your purchase from Kmart.

Kmart Australia Ltd warrants your new product to be free from defects in materials and workmanship for the period stated above, from the date of purchase, provided that the product is used in accordance with accompanying recommendations or instructions where provided. This warranty is in addition to your rights under the Australian Consumer Law.

Kmart will provide you with your choice of a refund, repair or exchange (where possible) for this product if it becomes defective within the warranty period. Kmart will bear the reasonable expense of claiming the warranty. This warranty will no longer apply where the defect is a result of alteration, accident, misuse, abuse or neglect.

Please retain your receipt as proof of purchase and contact our Customer Service Centre on 1800 124 125 (Australia) or 0800 945 995 (New Zealand) or alternatively, via Customer Help at Kmart.com.au for any difficulties with your product. Warranty claims and claims for expense incurred in returning this product can be addressed to our Customer Service Centre at 690 Springvale Rd, Mulgrave Vic 3170.

Our goods come with guarantees that cannot be excluded under the Australian Consumer Law. You are entitled to a replacement or refund for a major failure and compensation for any other reasonably foreseeable loss or damage. You are also entitled to have the goods repaired or replaced if the goods fail to be of acceptable quality and the failure does not amount to a major failure.

For New Zealand customers, this warranty is in addition to statutory rights observed under New Zealand legislation.

anko