

# Assembly Instructions

## 42967583 STUDY DESK

### CARE INSTRUCTION :






WIPE CLEAN WITH A SOFT DAMP CLOTH. DO NOT USE ABRASIVE MATERIAL AND SOLVENTS. STORE IN A DRY PLACE. CHECK AND TIGHTEN ALL PARTS REGULARLY. FOR INDOOR AND DOMESTIC USE.



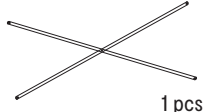

### WARNINGS:

DO NOT STAND, SIT OR LEAN ON THE PRODUCT. DO NOT DRAG THE PRODUCT. USE ONLY ON A FLAT SURFACE. DO NOT FULL TIGHTEN ALL SCREWS UNTIL ALL HAVE BEEN COMPLETED. DO NOT USE UNTIL ALL SCREWS, BOLTS AND KNOBS ARE FIRMLY SECURED. THIS PRODUCT CONTAINS SMALL PARTS AND SHARP POINTS, KEEP AWAY FROM CHILDREN AND BABIES. ADULT ASSEMBLY REQUIRED.

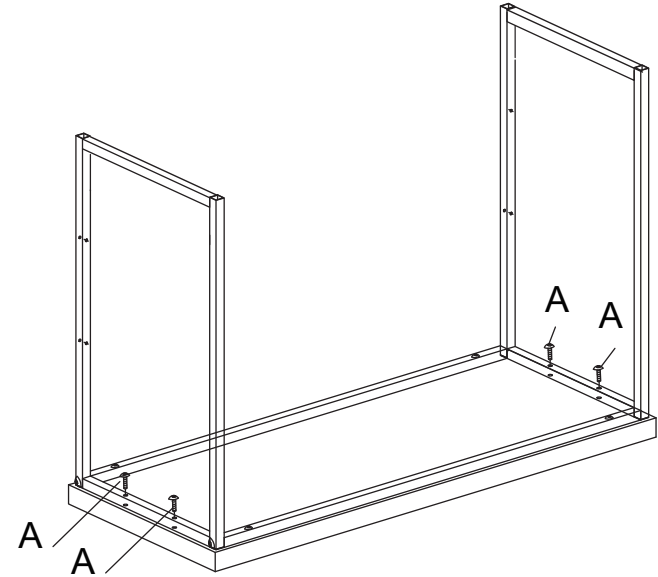
**MAXIMUM SAFE LOAD LIMIT : 30KG. FAILURE TO FOLLOW THESE WARNINGS COULD RESULT IN SERIOUS INJURY.**

### Hardware list

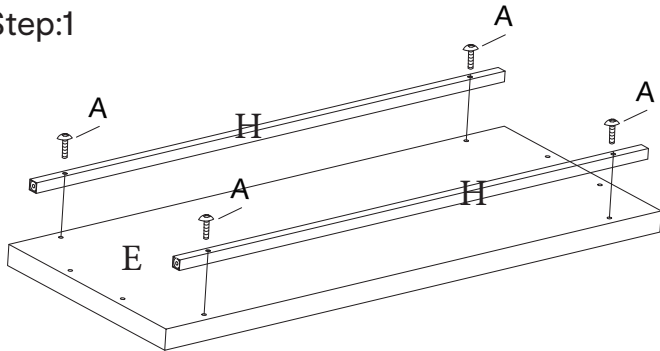
A	 6X25mm Bolt	8pcs
B	 8X30mm Bolt	4pcs
C	 4X22mm Bolt	4pcs
D	 4mm Nut	4pcs
Tools		2pcs

E	 1 pcs	F	 2 pcs
G	 1 pcs	H	 2 pcs

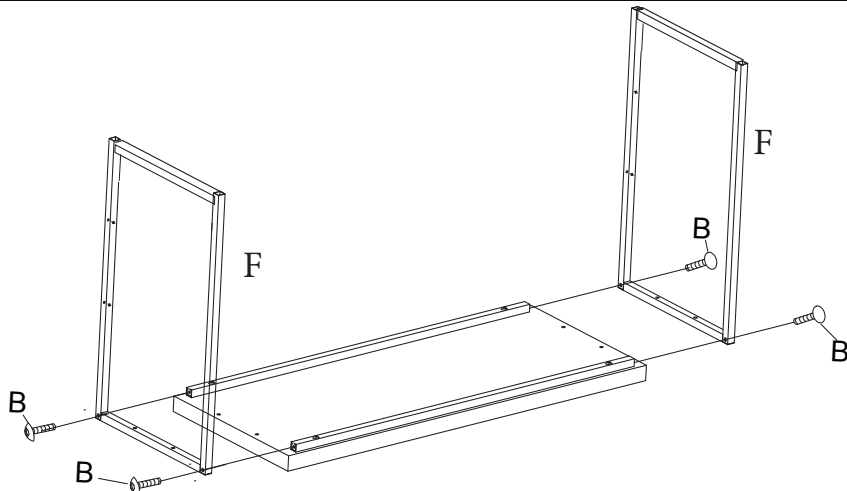
### Step:3



### Step:1



### Step:2



### Step:4

