



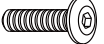









Assembly Instructions

42968634 4 DRAWER CHEST

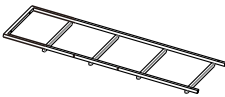
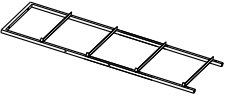

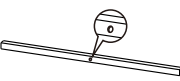




ATTENTION:

- DO NOT TIGHTEN THE SCREWS UNTIL THE PRODUCT IS FULLY ASSEMBLED.
- FOR INDOOR USE ONLY.
- MAXIMUM LOADING WEIGHT: 7KG FOR TOP SHELF, 4KG FOR EACH DRAWER.

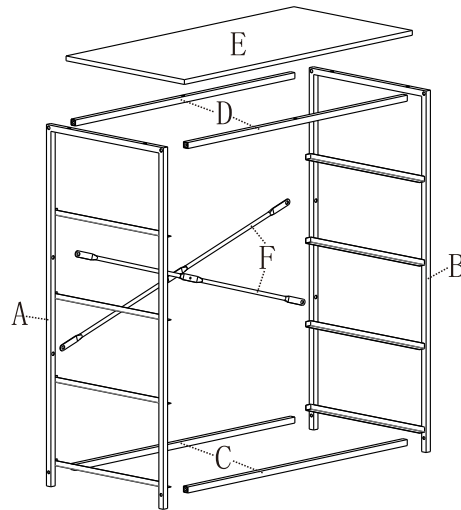
1 Hardware List

	a	M6	4pcs		b	M6	4pcs
	c	M6 x 22	18pcs		d	M6	4pcs
	e	M4 x 8	1pc		f	M4	1pc
	g	st4 x 40	1pc		h	Φ9	1pc
	i	20 x 150	1pc		j	6 x 25	1pc
	k		1pc		l		1pc

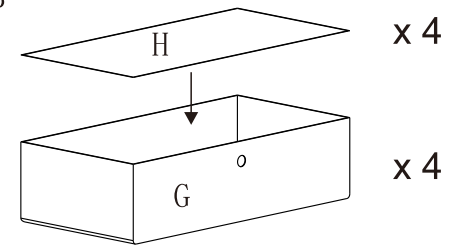
2

			
A 1pc	B 1pc	C 2pcs	D 2pcs
			
E 1pc	F 2pcs	G 4pcs	H 4pcs

3



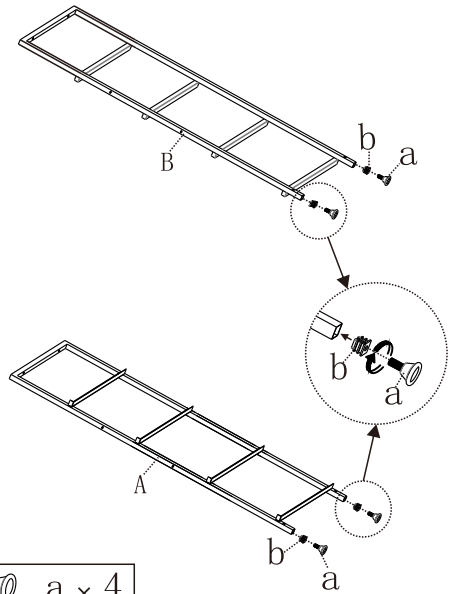
TOPPLING FURNITURE WARNING:
 >IT IS STRONGLY RECOMMENDED THAT THIS PRODUCT IS PERMANENTLY FIXED TO THE WALL.
 >PLEASE SEEK PROFESSIONAL ADVICE IF YOU ARE IN DOUBT OF WHAT FIXING DEVICE TO USE.
 >REGULARLY CHECK THAT ANCHORS ARE SECURELY MAINTAINED.
 >STABILITY OF TALL ITEMS MAY BE AFFECTED BY THICK PILE CARPET OR UNEVEN FLOORS.
 >DO NOT PLACE UNANCHORED TELEVISIONS ON FURNITURE.
CAUTION: FOR YOUR SAFETY WHEN ATTACHING THE ANCHOR FIXINGS, PLEASE NOTE THE FOLLOWING:
 >CHECK ANY ELECTRICAL WIRES OR PLUMBING INSIDE THE WALL BEFORE DRILLING ANY HOLES (IF YOU ARE UNSURE PLEASE SEEK PROFESSIONAL ADVICE FROM A QUALIFIED TRADESPERSON).





x 4

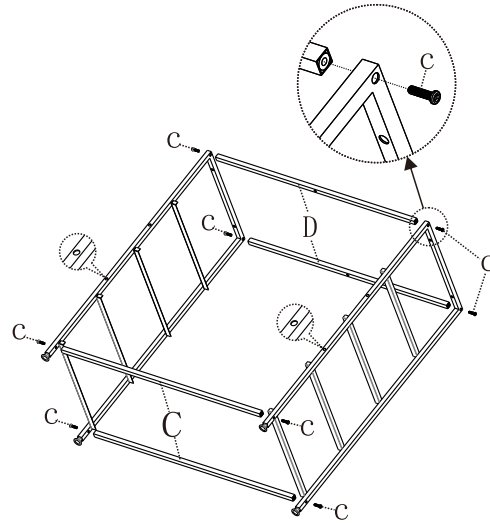
x 4

Step 1



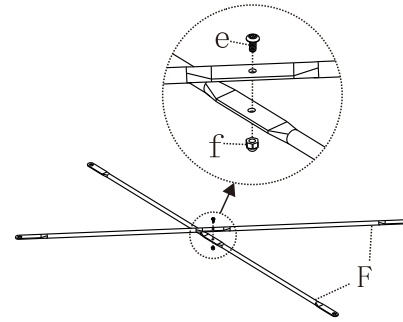
-  a x 4
-  b x 4


Step 2



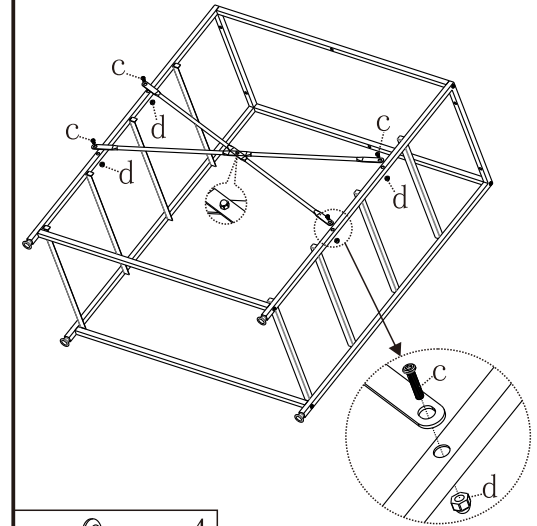
-  c x 8



Step 3



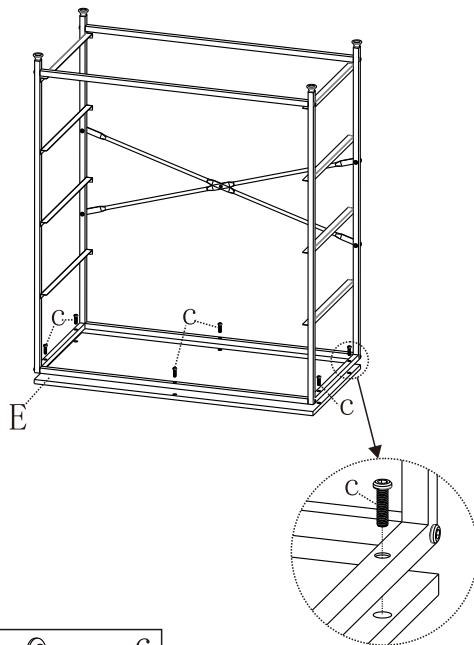
-  e x 1
-  f x 1

Step 4



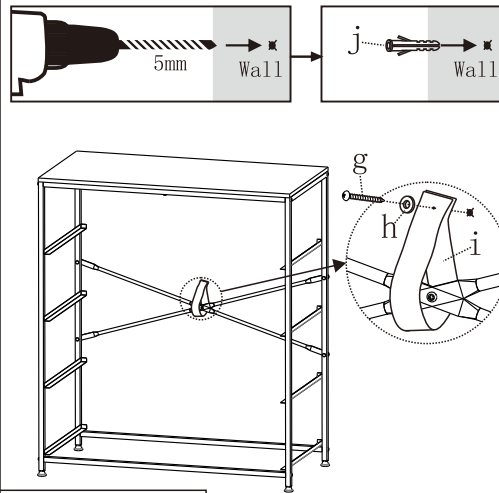
-  c x 4
-  d x 4





Step 5



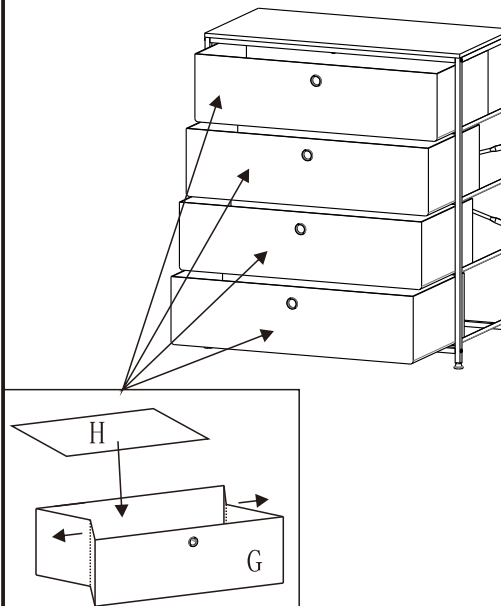
-  c x 6

Step 6



-  g x 1
-  h x 1
-  I x 1
-  j x 1

Step 7



Step 8

