









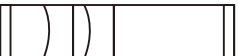


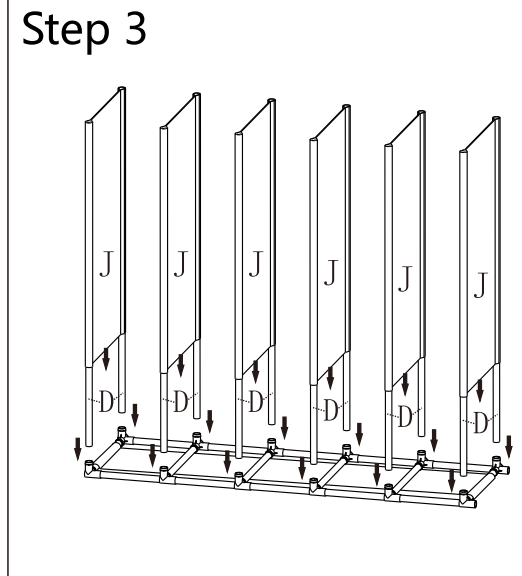
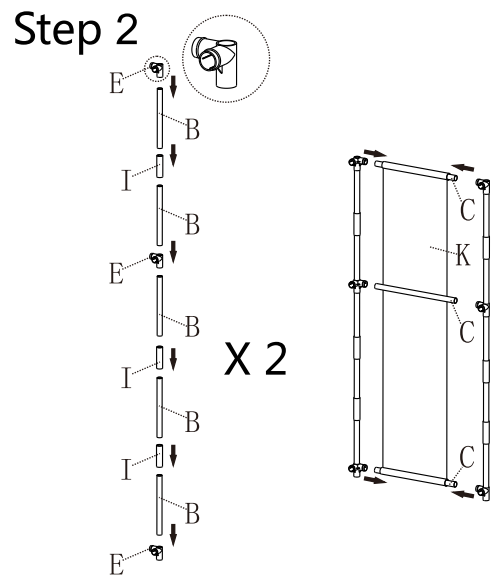
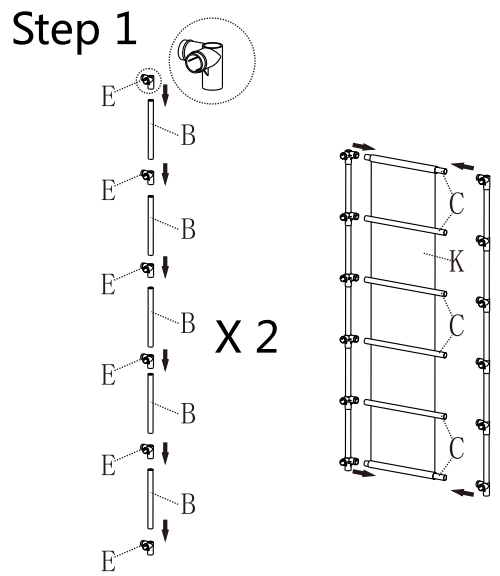
Assembly Instructions

42968658 MULTI WAY SHOE STORAGE

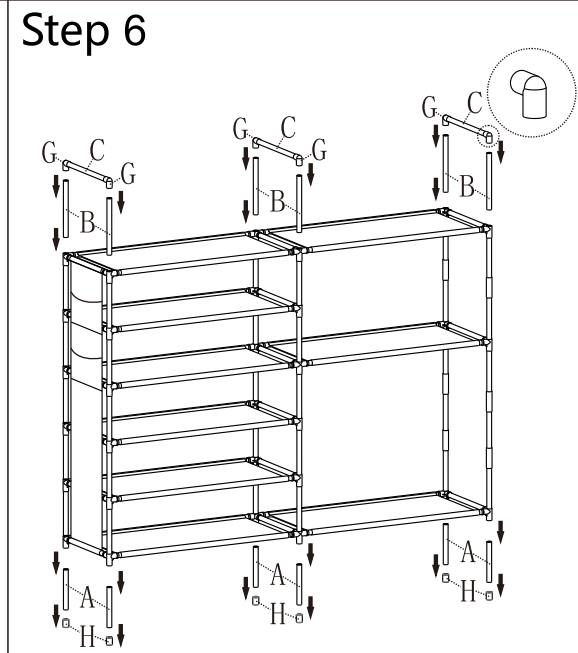
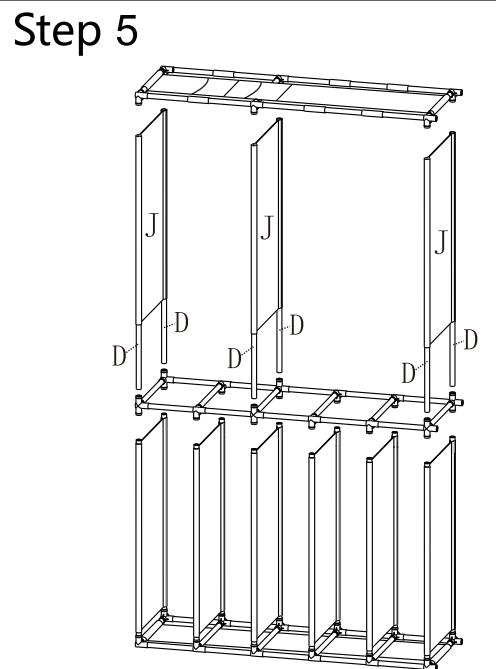
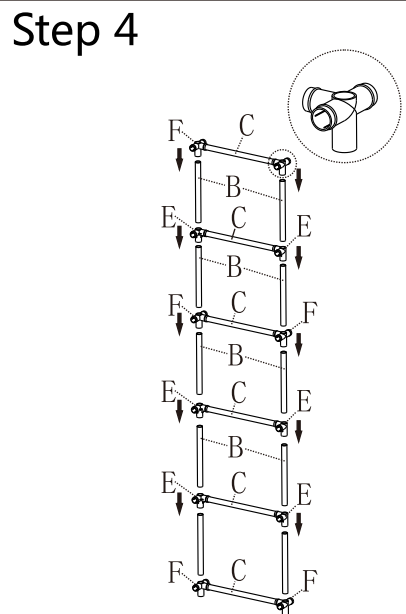
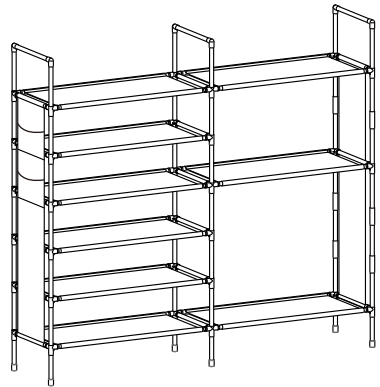
ATTENTION:

- ENSURE PARTS ARE PUSHED TOGETHER SECURELY.
- FOR INDOOR USE ONLY.
- MAXIMUM LOADING WEIGHT:3KG FOR EACH SHELF

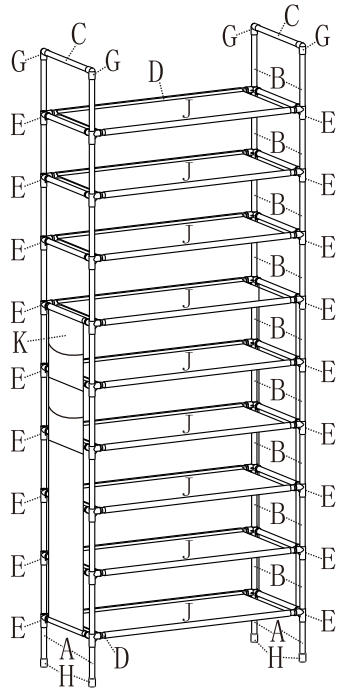
Hardware List			
	Qty	Part	
A	8		120mm
B	48		169mm
C	22		250mm
D	18		610mm
E	36		
F	6		
G	8		
H	8		
I	12		
J	9		
K	2		



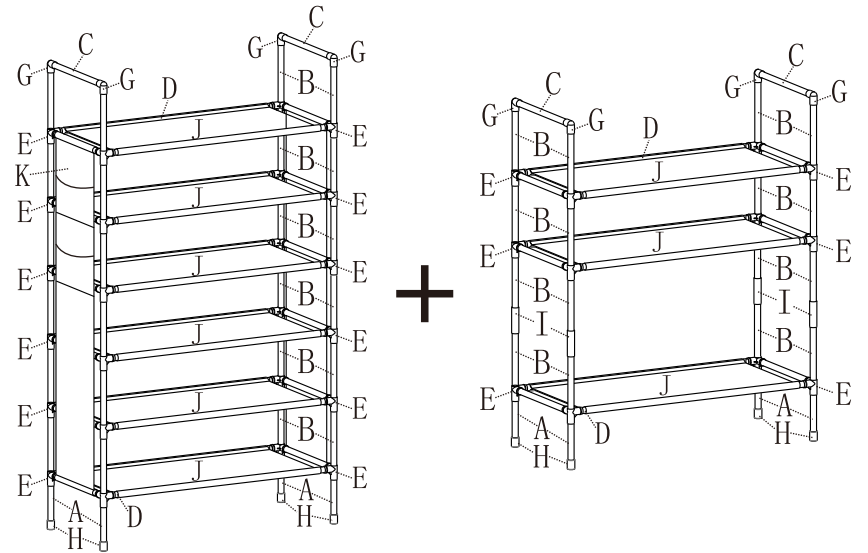
Option 1



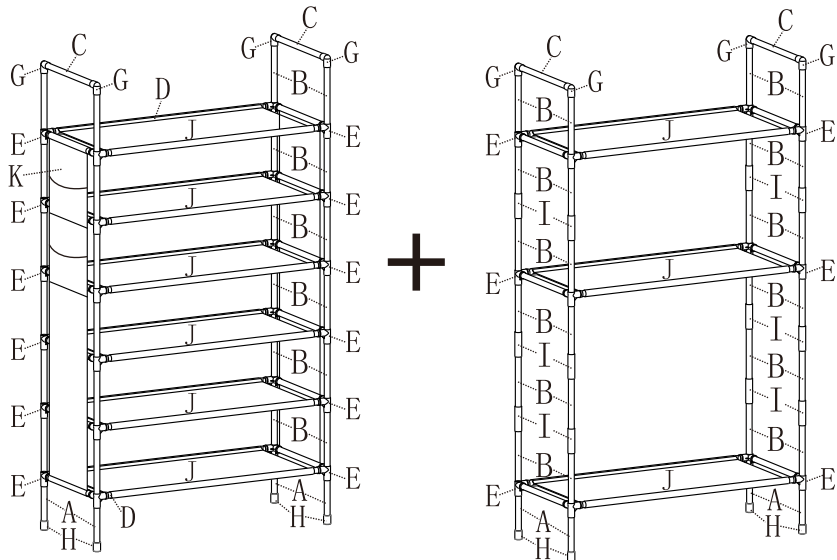
Option 2



Option 3



Option 4



Option 5

