


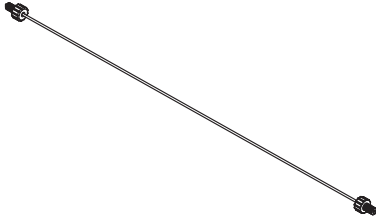

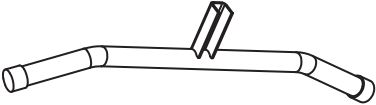
Assembly Instructions

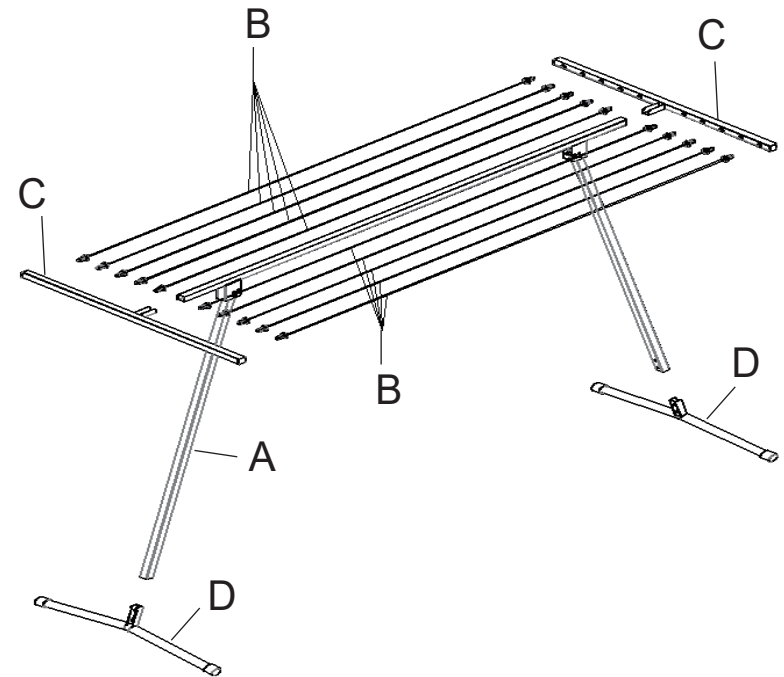
42971214 EXTRA LARGE FREESTANDING CLOTHES LINE

MAXIMUM SAFE LOAD: 20kg

Hardware list

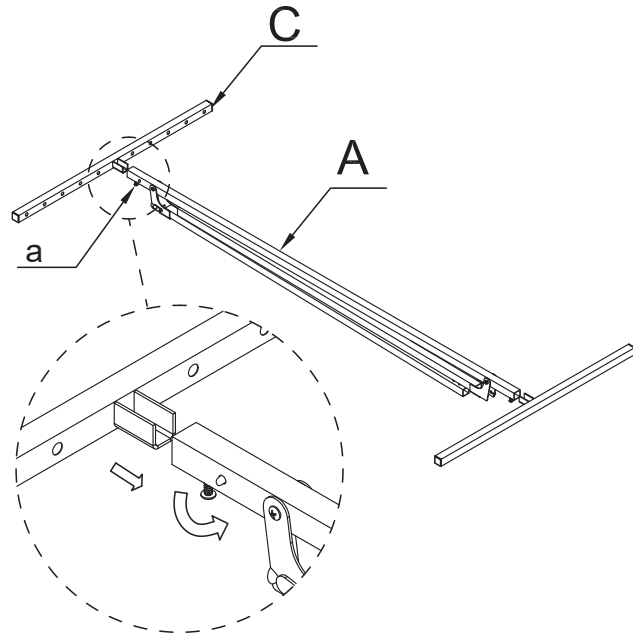
	a	M8X15mm	6PCS
---	---	---------	------

			
A	1PC	B	10PCS
			
C	2PCS	D	2PCS

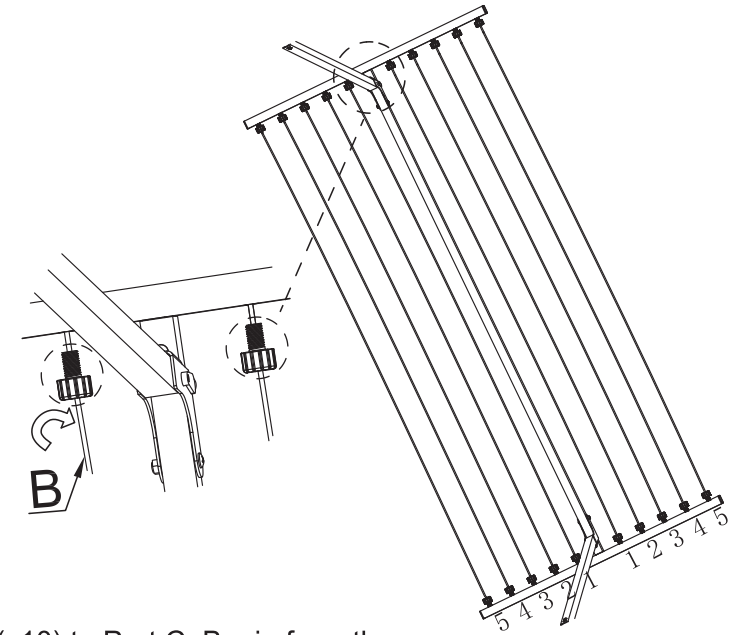


DO NOT TIGHTEN THE SCREWS UNTIL THE PRODUCT IS FULLY ASSEMBLED.

STEP 1

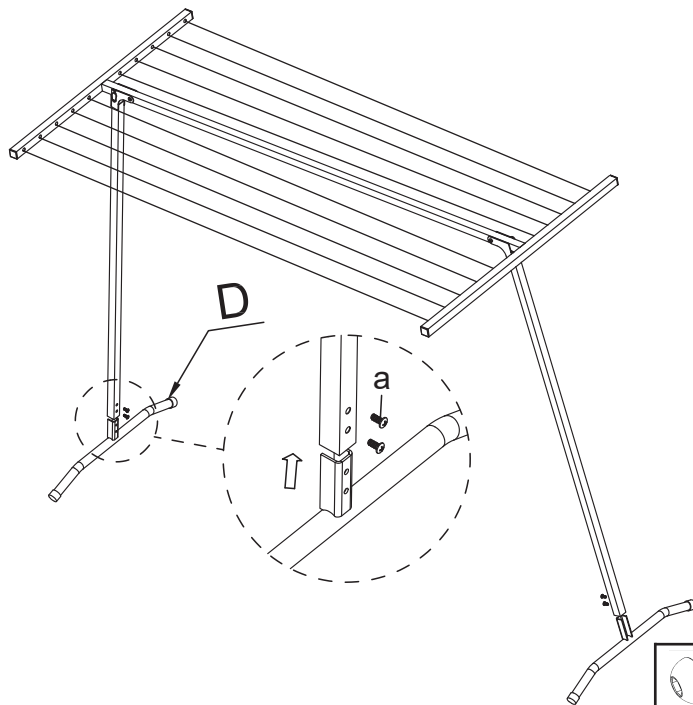


STEP 2

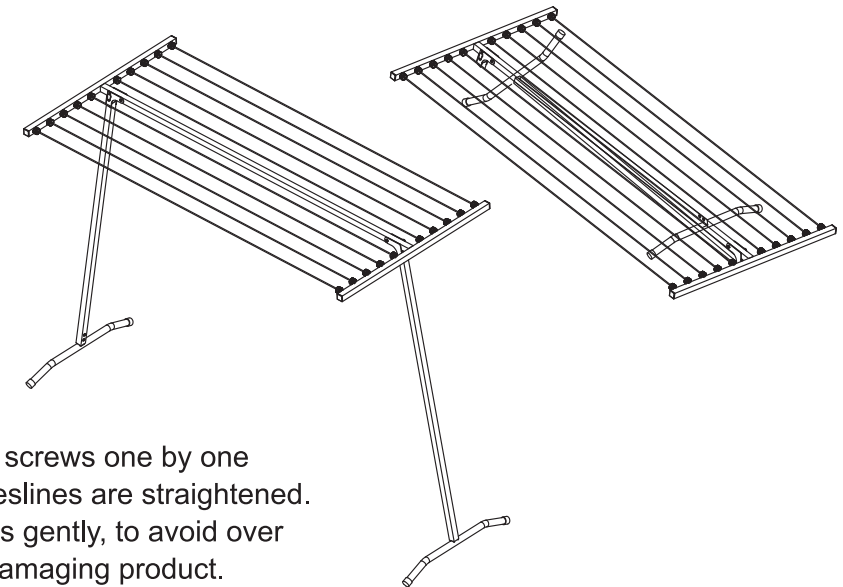


Attach Part B (x10) to Part C. Begin from the centre rods and work outwards. Tighten gently to avoid over tightening and damaging the product.

STEP 3



STEP 4



1. Tighten the screws one by one until the clotheslines are straightened. Tighten screws gently, to avoid over tightening & damaging product.
2. Check both sides and gently tighten any loose screws, this clothes line is now ready for use.