

# Assembly Instructions

## 42971948 wardrobe with cube storage

### CARE INSTRUCTIONS:

Keep away from water and direct sunlight. For indoor and domestic use. Wipe clean with a soft dry cloth. Check and tighten all parts regularly.

### WARNING:








Do not stand or sit on the unit. Do not lean on the product. Do not drag the product. Use only on a flat surface. Do not use until all screws, bolts and knobs are firmly secured.

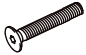






Load the drawer evenly to prevent it from tipping over.

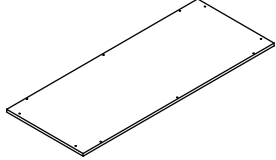
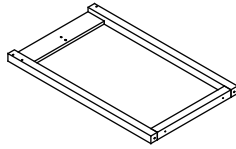
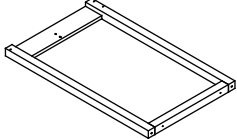
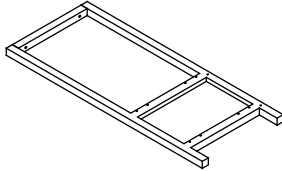
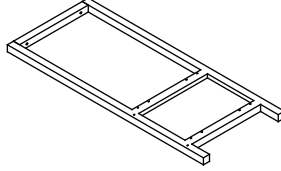
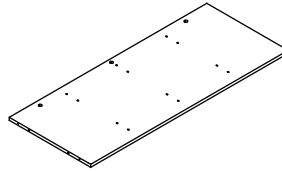
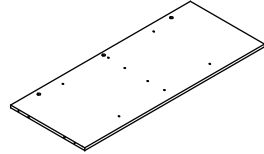
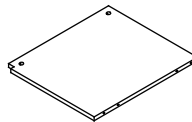
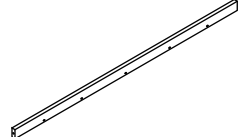
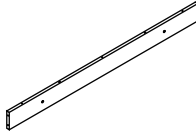
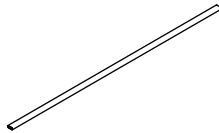
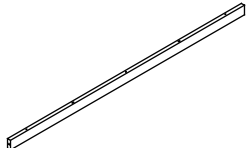
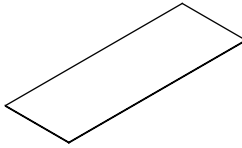
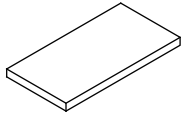
This product contains small parts and sharp points, keep away from children and babies. Adult assembly required. Failure to follow these warnings could result in serious injury.

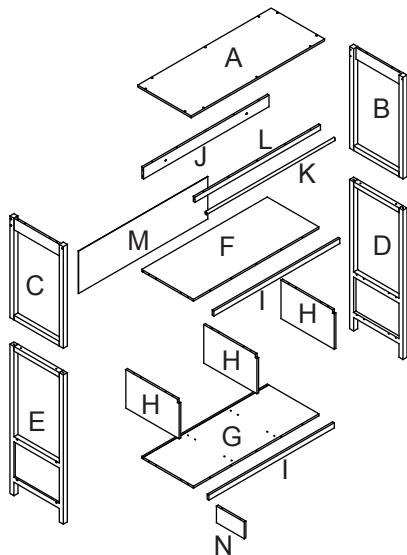
**MAXIMUM SAFE LOAD: 40kgs for top shelf, 10kgs for each cube, 10kgs for hanging rail.**

### Hardware list

	a	6X35mm	12PCS
	b	15X10mm	12PCS
	c	6X30mm	32PCS
	d	5X60mm	14PCS
	e	4X12mm	4PCS
	f		2PCS
	g	4X35mm	16PCS


	h	6X50mm	4PCS
	i		20PCS
	j	4X40mm	4PCS
	k		2PCS
	m		1PC
	n	ø20mm	14PCS
	o		4PCS

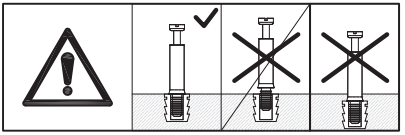
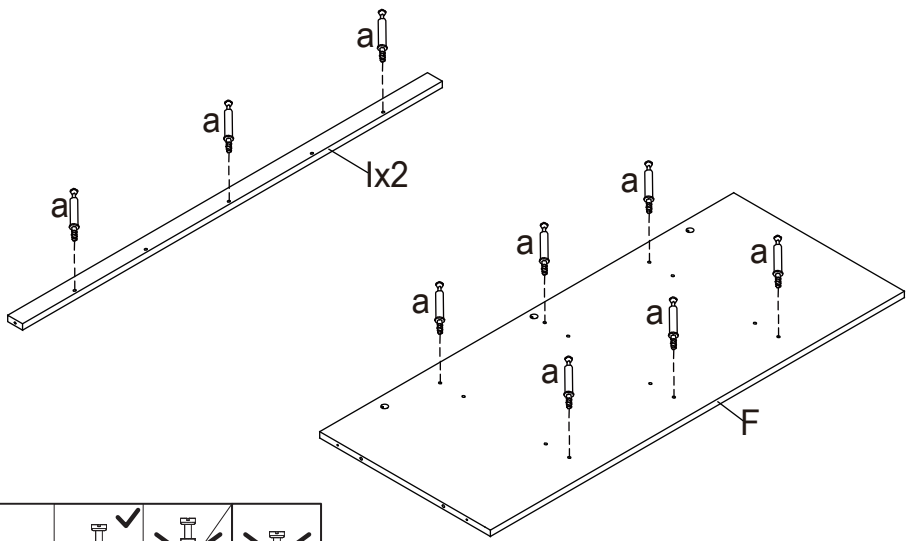
	A	1 PC		B	1 PC		C	1 PC
	D	1 PC		E	1 PC		F	1 PC
	G	1 PC		H	3 PCS		I	2 PCS
	J	1 PC		K	1 PC		L	1 PC
	M	1 PC		N	1 PC			





Do not tighten the screws fully during assembly.  
Fully tighten screws after the final assembly steps

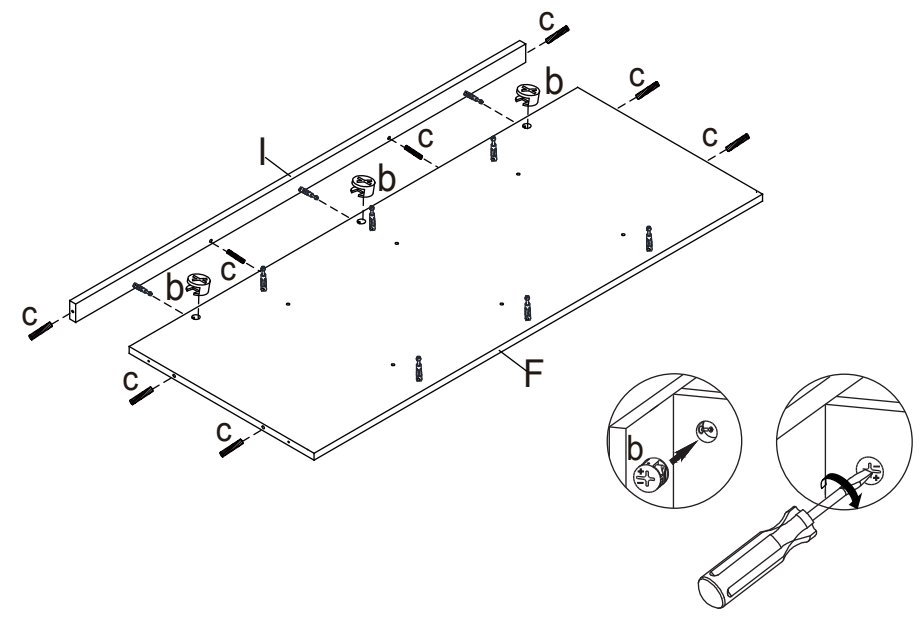
STEP 1

 X12





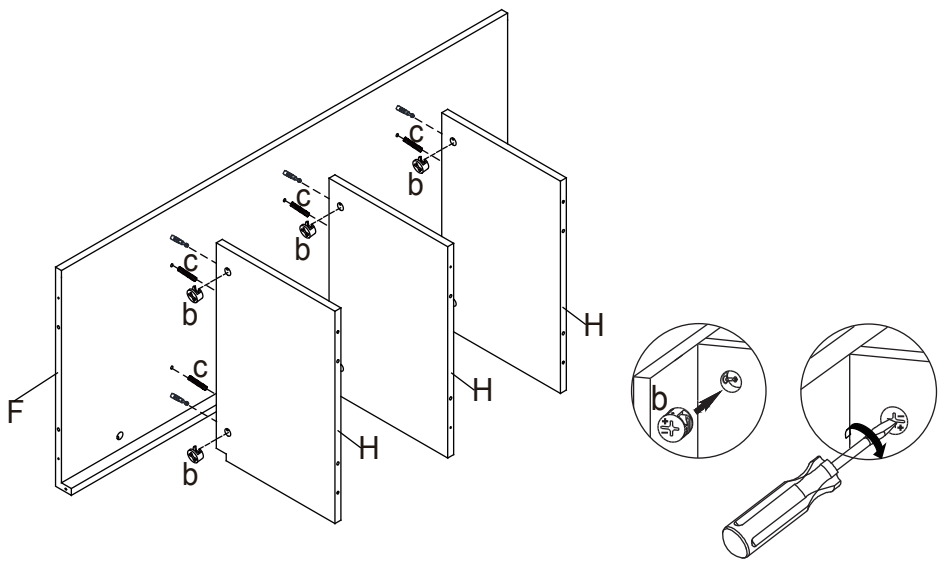
STEP 2

 X8  X3





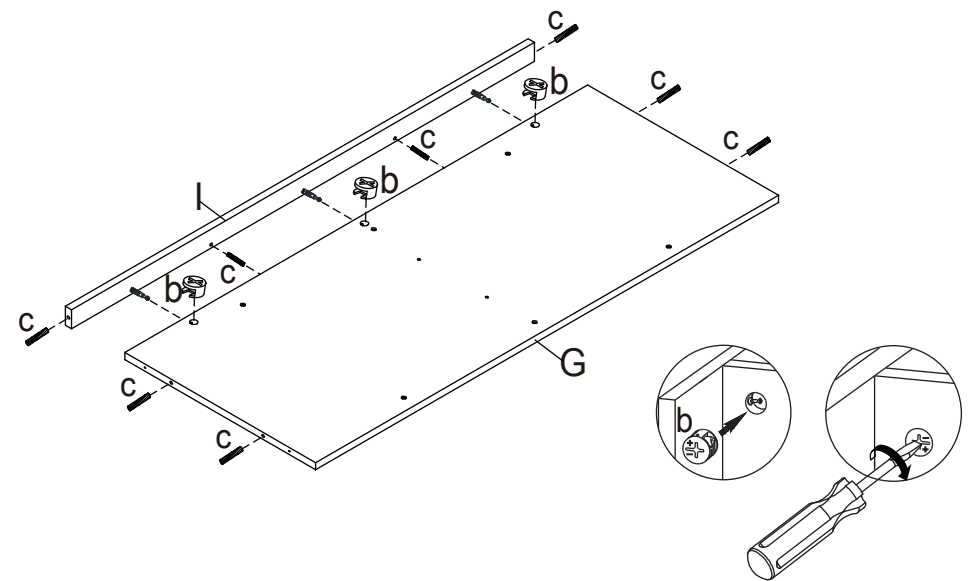
STEP 3

 X6  X6

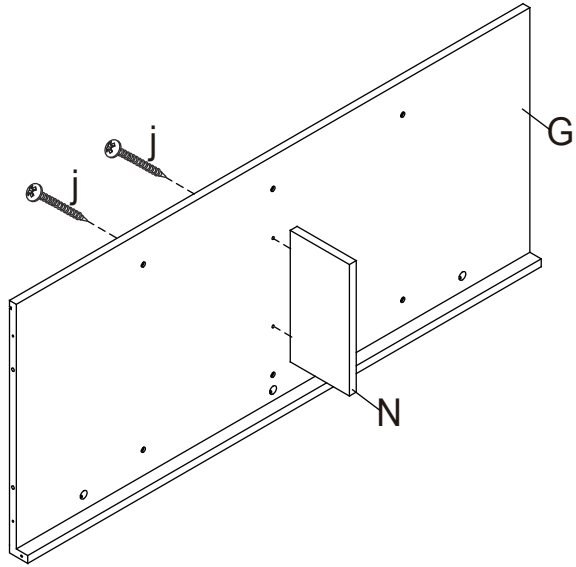


STEP 4

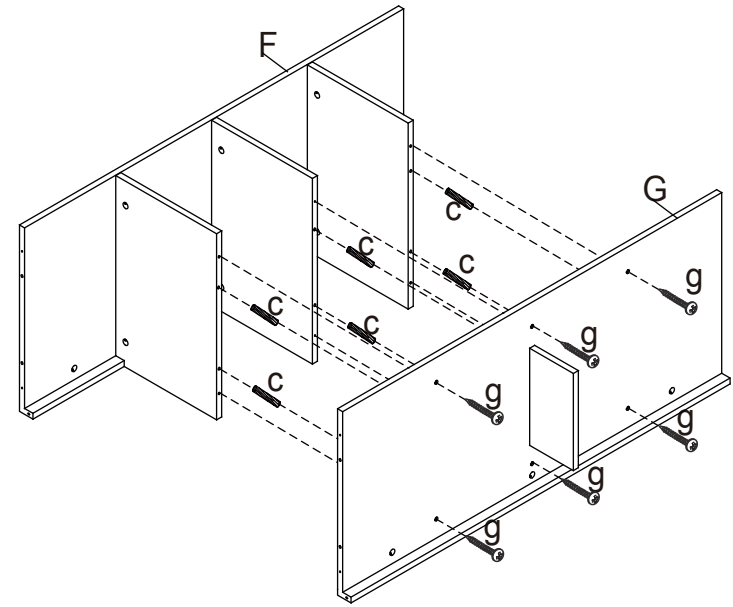
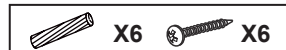
 X8  X3



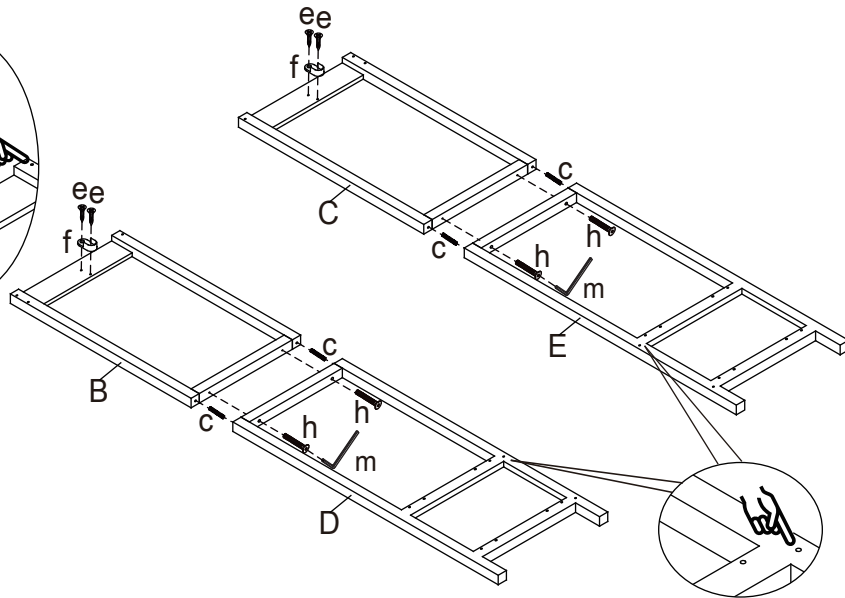
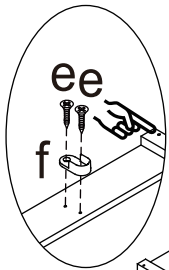
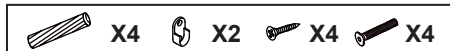
### STEP 5



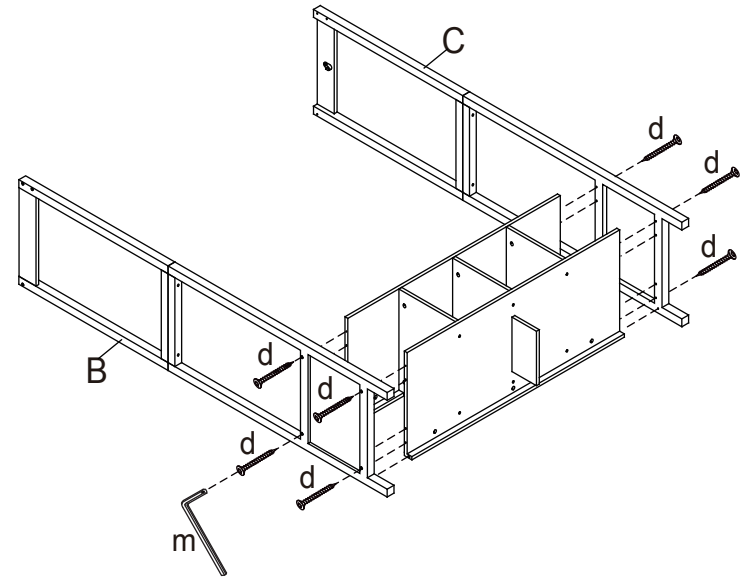
### STEP 6



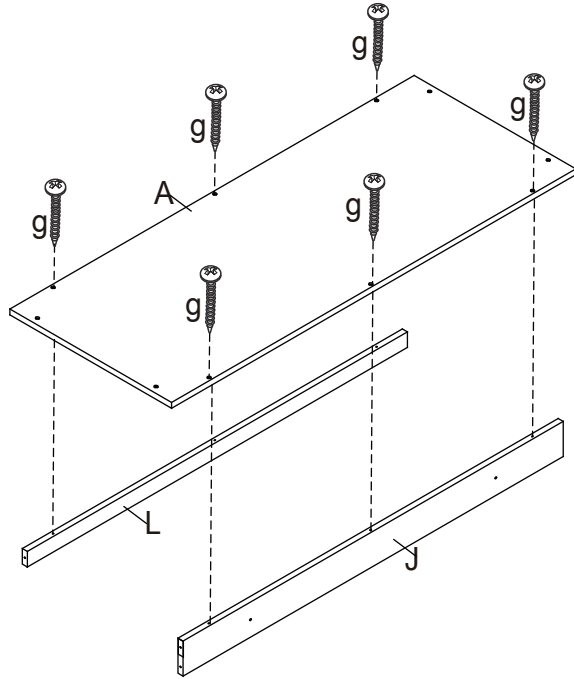
### STEP 7



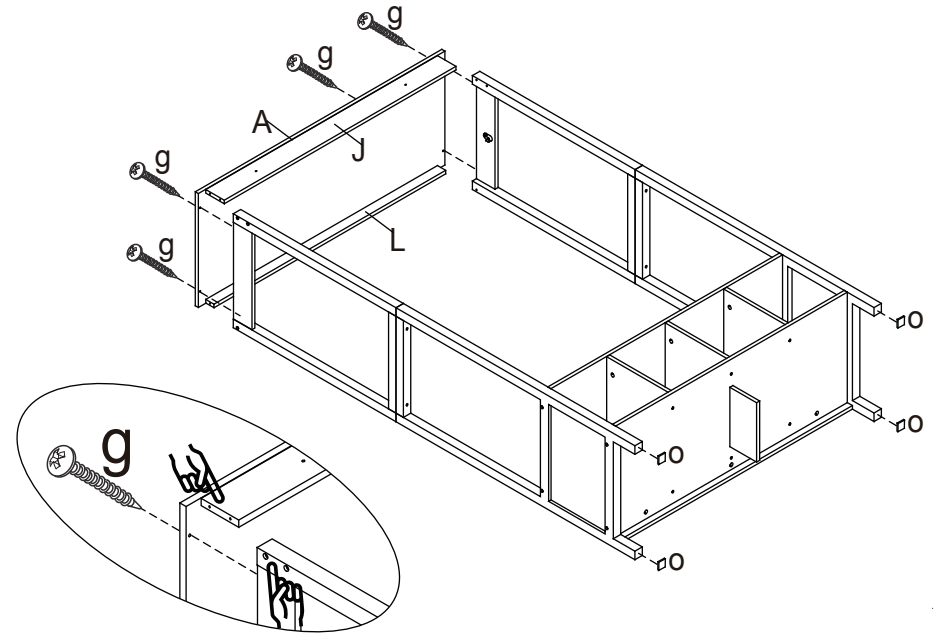
### STEP 8



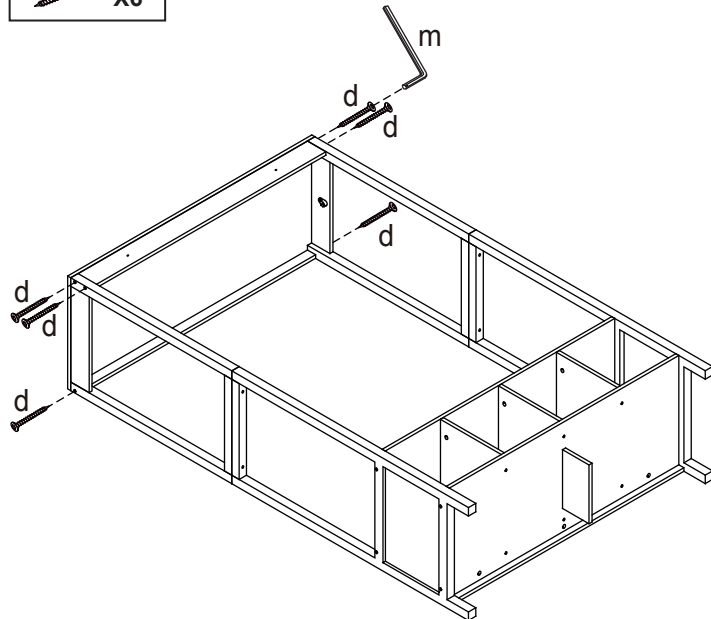
**STEP 9**  X6



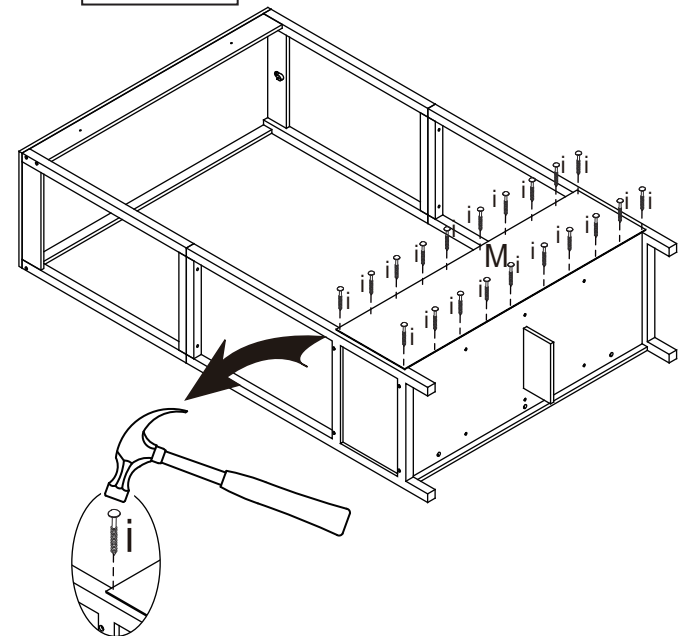
**STEP 10**  X4  X4



**STEP 11**  X6

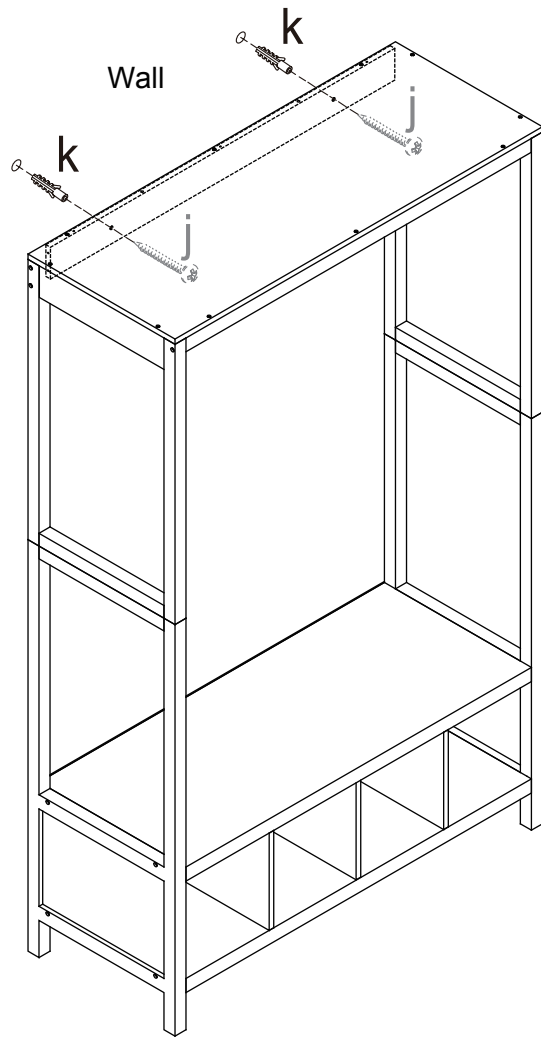


**STEP 12**  X20



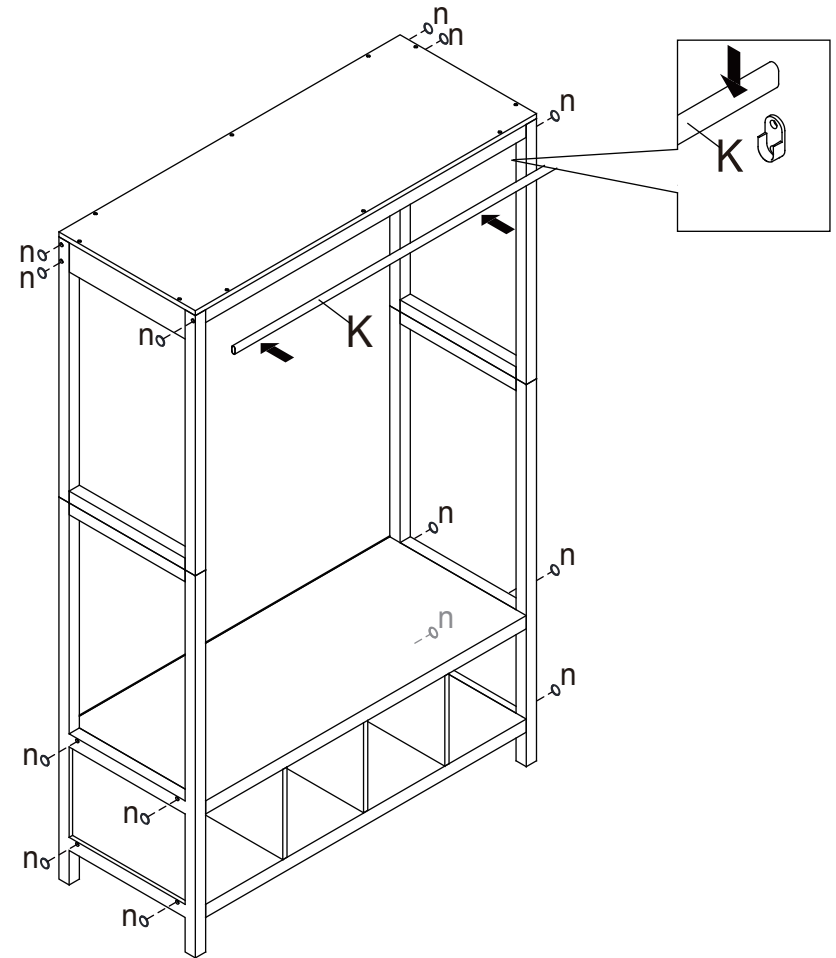
### STEP 13

 X2  X2



### STEP 14

 X14



It is strongly recommended that this product is permanently fixed to the wall. Please seek professional advice if you are in doubt of what fixing device to use. Regularly check that anchors are securely maintained.

**CAUTION:** for your safety when attaching the anchor fixings, please note the following: Check any electrical wires or plumbing inside the wall before drilling any holes (if you are unsure please seek professional advice from a qualified tradesperson).