

Assembly Instructions

42971955 wardrobe with 4 drawers

CARE INSTRUCTIONS:

Keep away from water and direct sunlight. For indoor and domestic use. Wipe clean with a soft dry cloth. Check and tighten all parts regularly.









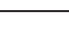
WARNING:




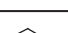






Do not stand or sit on the unit. Do not lean on the product. Do not drag the product. Use only on a flat surface. Do not use until all screws, bolts and knobs are firmly secured. Load the drawer evenly to prevent it from tipping over.

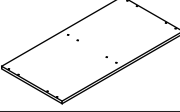
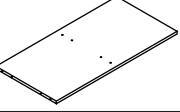
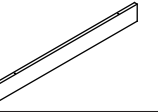
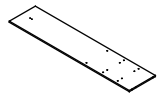
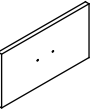
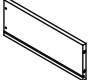
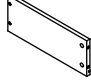
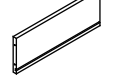
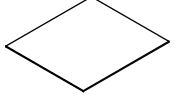
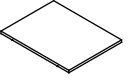
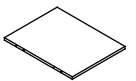
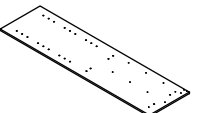
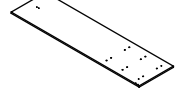
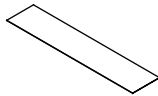

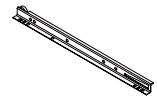
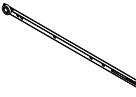
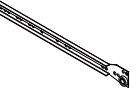
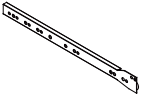
This product contains small parts and sharp points, keep away from children and babies. Adult assembly required. Failure to follow these warnings could result in serious injury.

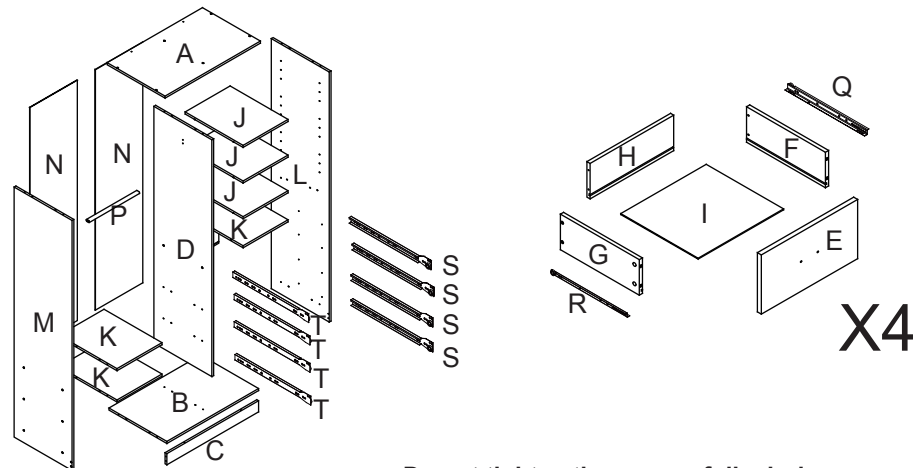
MAXIMUM SAFE LOAD: 10kgs for each layer, 8kgs for hanging rail and 5kgs for each drawer.

Hardware list

	a	4X30mm	16PCS
	b	3X12mm	32PCS
	d	4X12mm	4PCS
	e	4X18mm	8PCS
	f	4X35mm	2PCS
	g		2PCS
	h	4X12mm	2PCS
	i		2PCS
	j	6X30mm	26PCS

	l	5X50mm	28PCS
	m	5X25mm	12PCS
	n	15X10mm	16PCS
	q		16PCS
	r		8PCS
	t		40PCS
	v		2PCS
	w		4PCS
	x		1PC
	y	ø20mm	14PCS

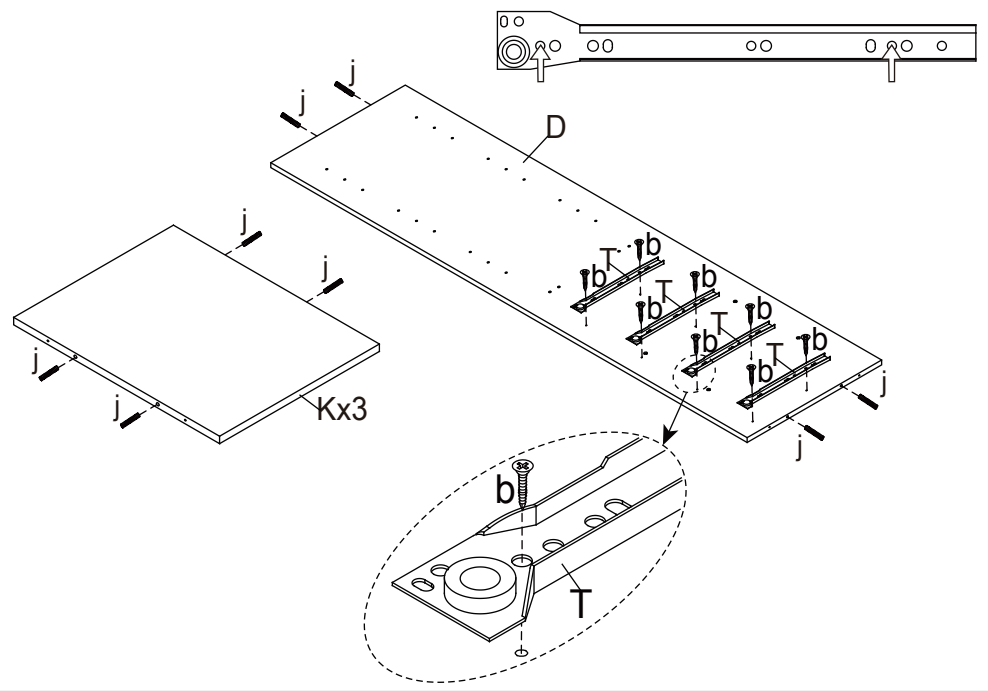
	A	1 PC		B	1 PC		C	1 PC
	D	1 PC		E	4 PCS		F	4 PCS
	G	4 PCS		H	4 PCS		I	4 PCS
	J	3 PCS		K	3 PCS		L	1 PC
	M	1 PC		N	2 PCS		P	1 PC
	Q	4 PCS		R	4 PCS		S	4 PCS
	T	4 PCS						



Do not tighten the screws fully during assembly.
Fully tighten screws after the final assembly steps

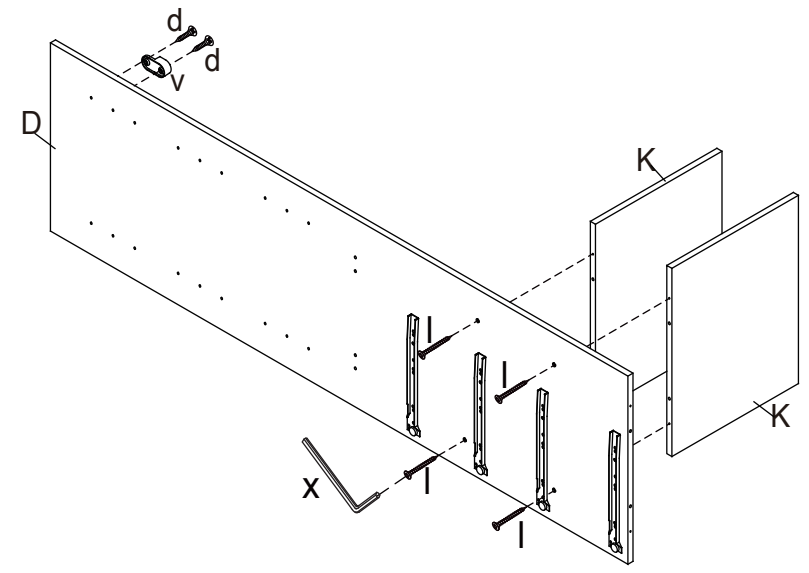
STEP 1

- X4
- X8
- X16



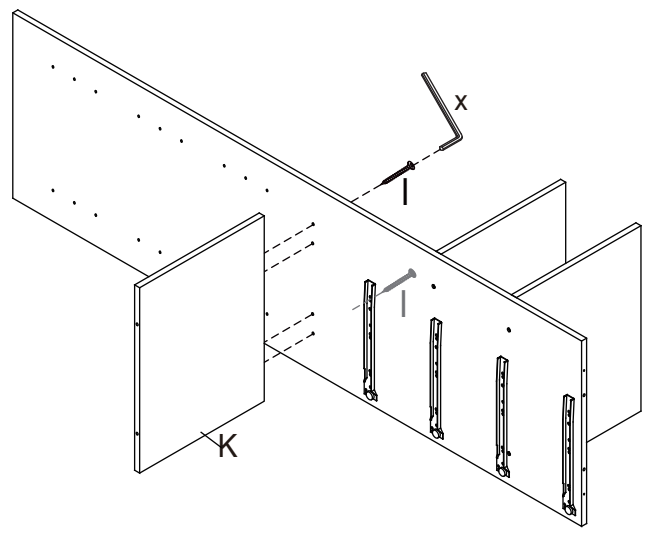
STEP 2

- X4
- X1
- X2



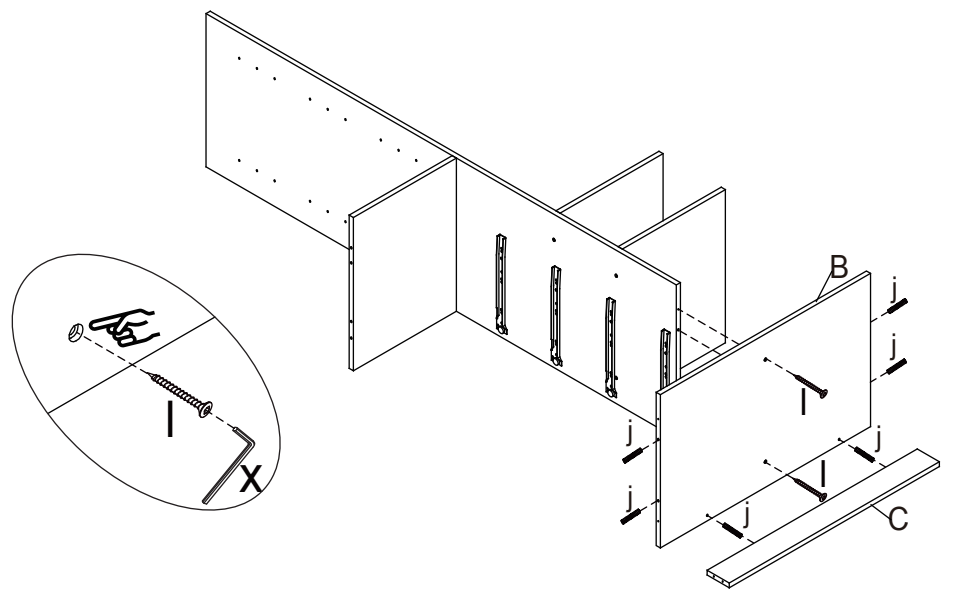
STEP 3

- X2



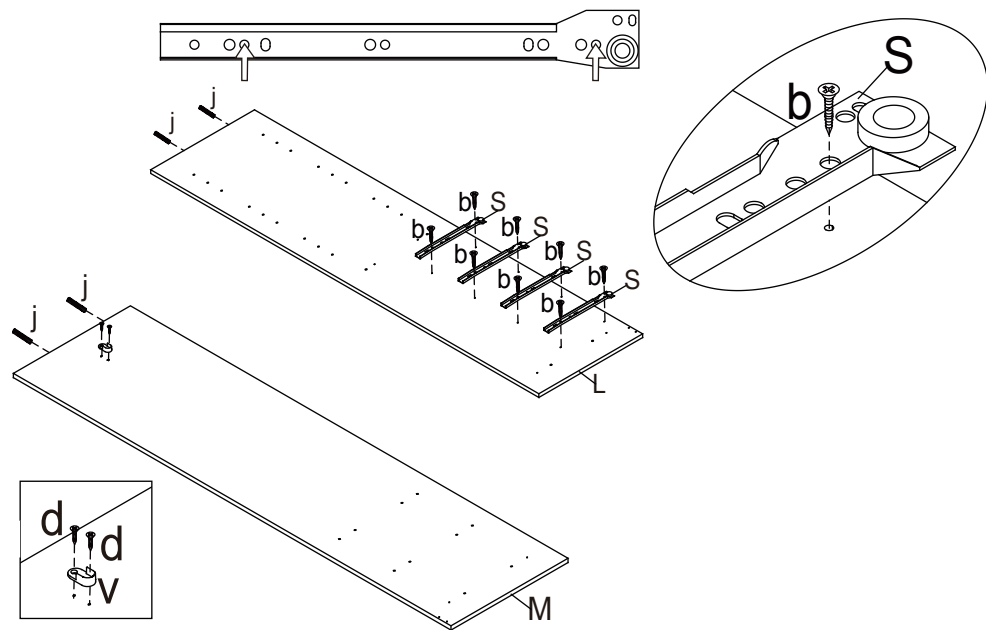
STEP 4

- X2
- X6



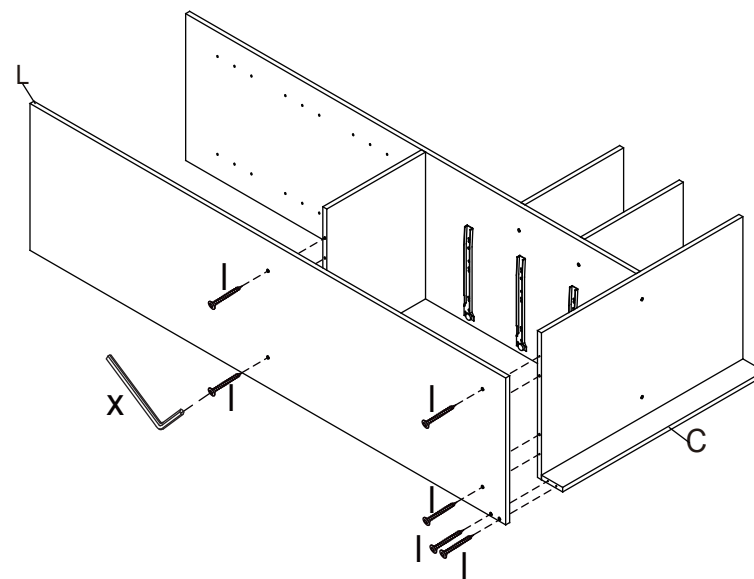
STEP 5

X4 X8 X4 X1 X2



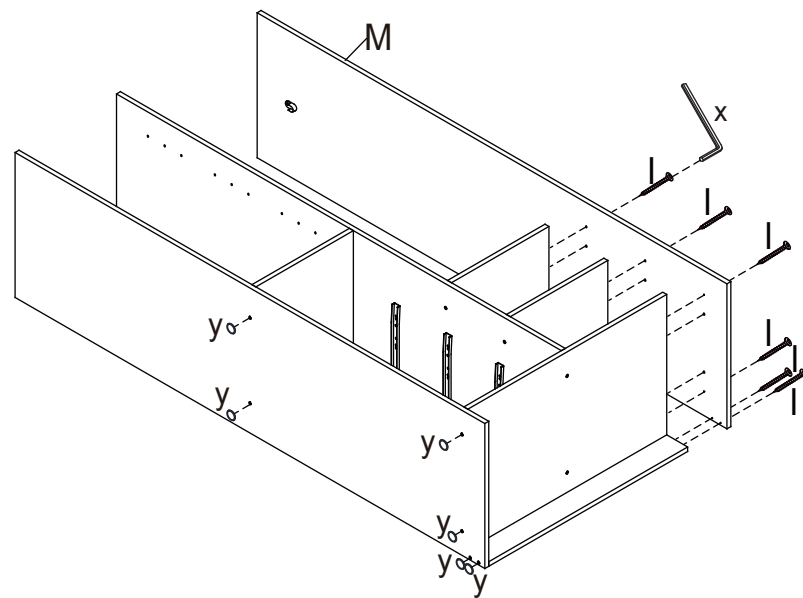
STEP 6

X6



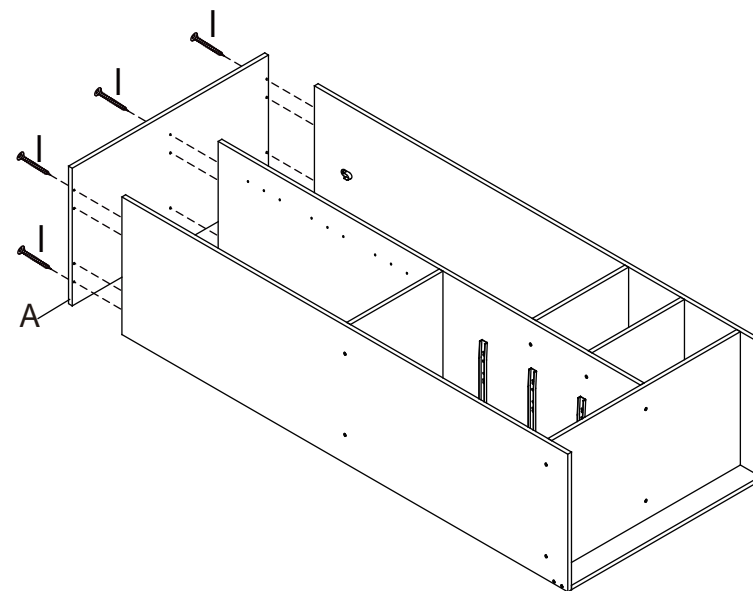
STEP 7

X8 X6



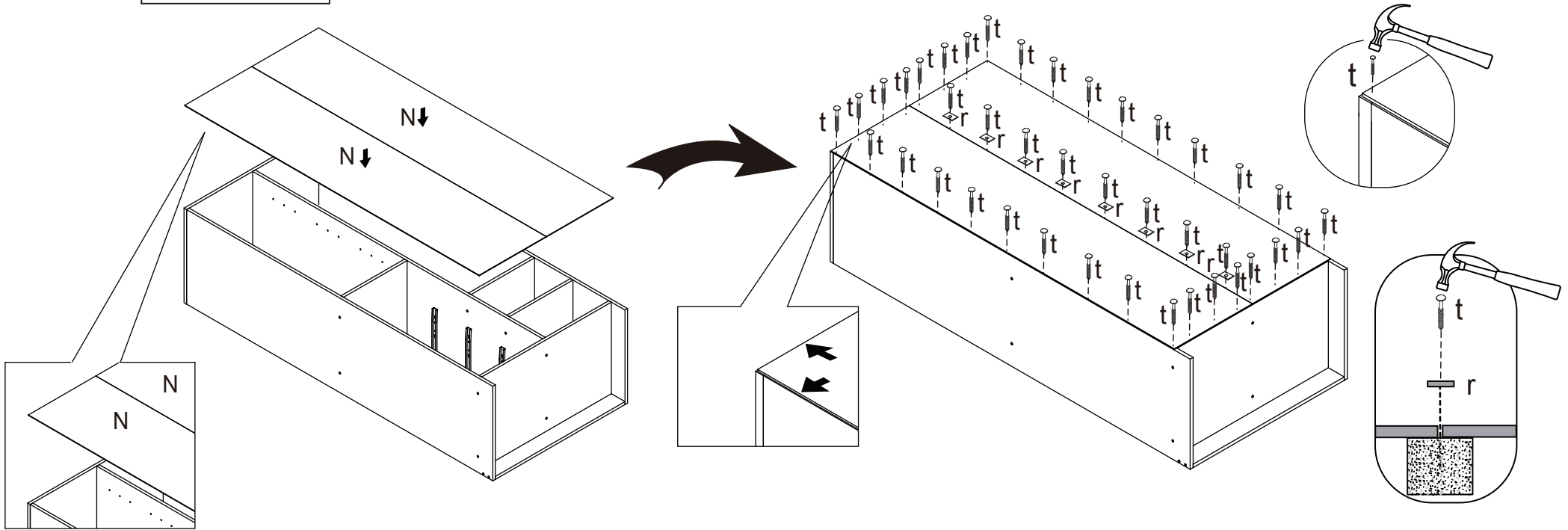
STEP 8

X6



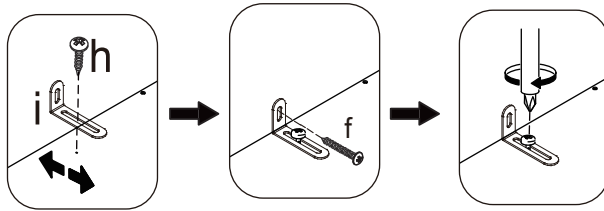
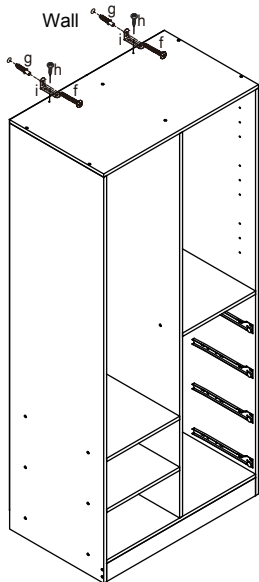
STEP 9

X40 X8



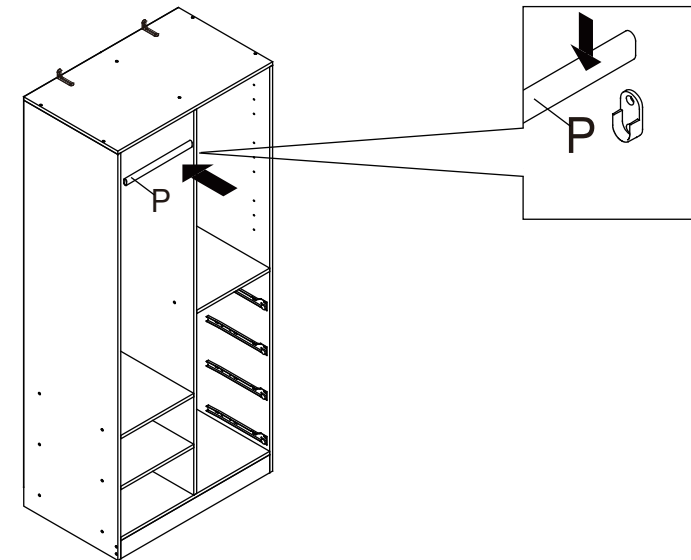
STEP 10

X2 X2 X2 X2




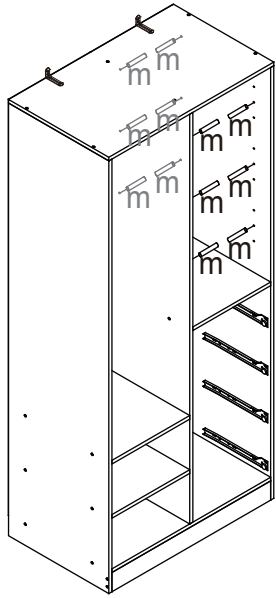
It is strongly recommended that this product is permanently fixed to the wall. Please seek professional advice if you are in doubt of what fixing device to use. Regularly check that anchors are securely maintained. **CAUTION:** for your safety when attaching the anchor fixings, please note the following: Check any electrical wires or plumbing inside the wall before drilling any holes (if you are unsure please seek professional advice from a qualified tradesperson).

STEP 11

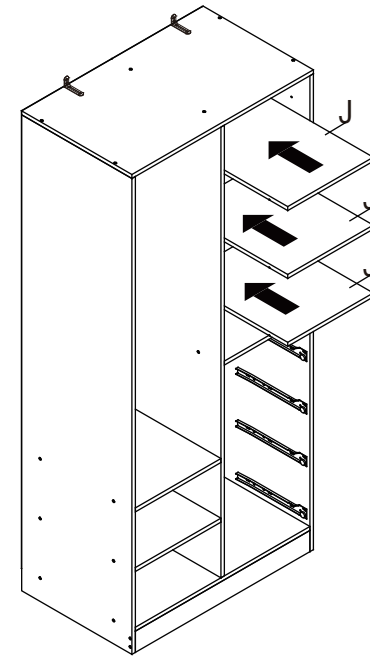


STEP 12

 X12

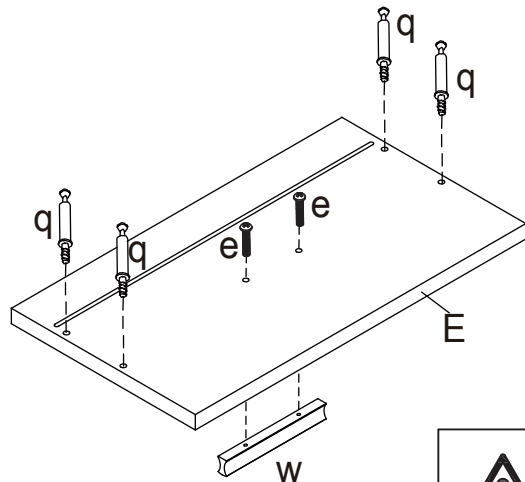


STEP 13

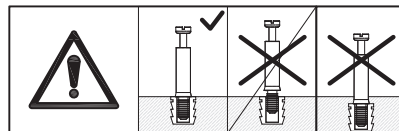


STEP 14

 X16  X8  X4

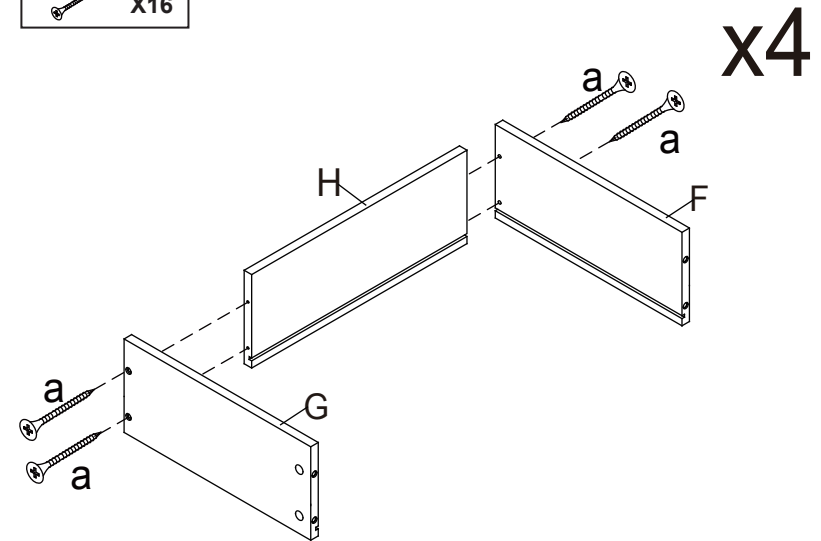


x4




STEP 15

 X16

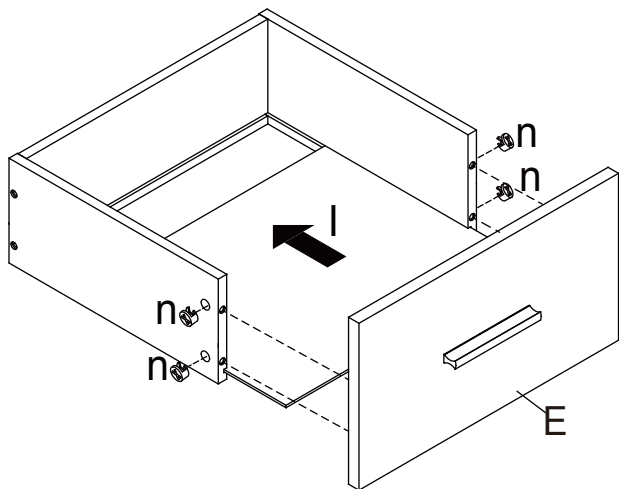


x4

STEP 16

 X16

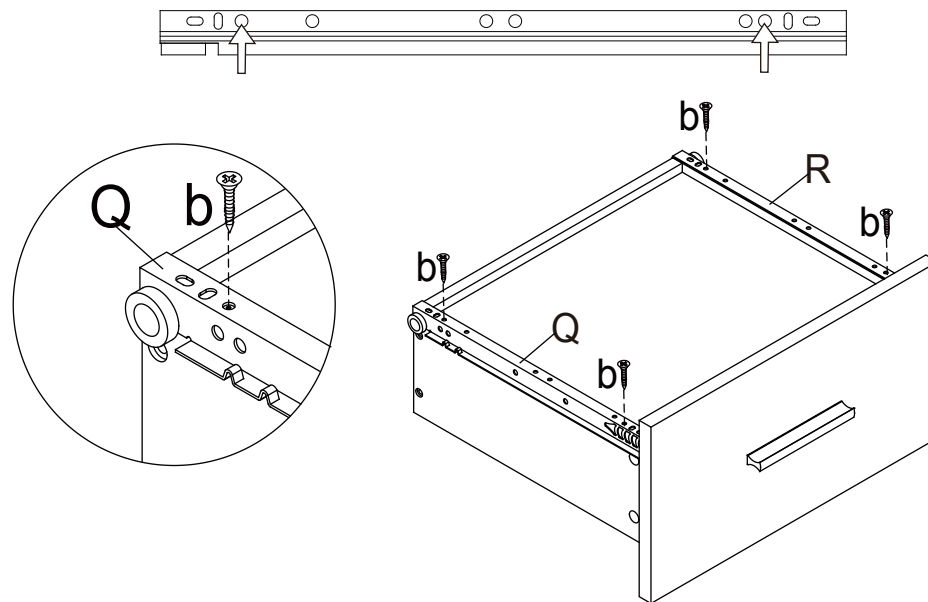
x4



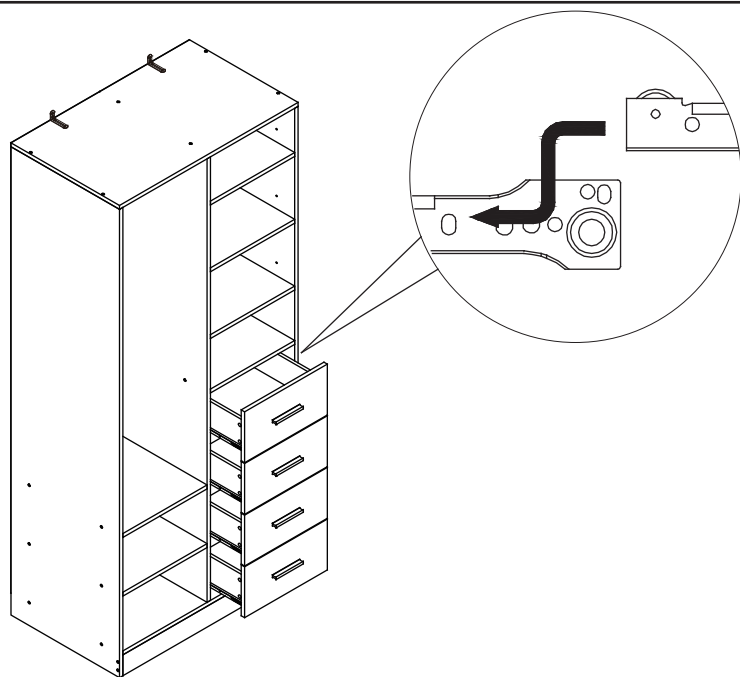
STEP 17

 X4  X4  X16


x4



STEP 18



STEP 19

 X8

